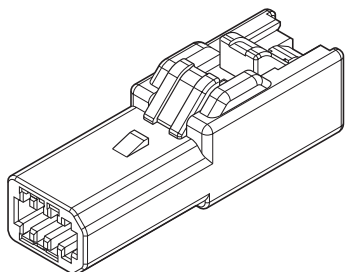




CIF CONNECTOR

1.27mm pitch/For Interface



This connector is a simplified plug with bypass circuit where equipped the function to unlocking.

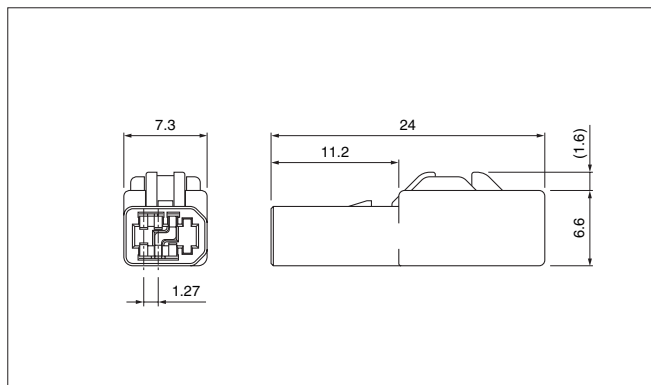
- Bypass connecting
- Slim shape
- Keying

Specifications

- Current rating: 0.5 A AC, DC
- Voltage rating: 30 V AC, DC
- Temperature range: -40°C to +70°C
(including temperature rise in applying electrical current)

- * Refer to "General Instruction and Notice when using Terminals and Connectors" at the end of this catalog.
- * Contact JST for details.
- * Compliant with RoHS.

Plug



Circuits	Model No.	Q'ty / box
8	CIF-PB08AK-GF1R	630

Material and Finish

Contact: Copper alloy, nickel-undercoated, selective gold-plated
Housing: Thermoplastic resin, UL94V-0, black
Unlocking lever: Thermoplastic resin, UL94V-0, black

RoHS compliance

Bypass circuit

