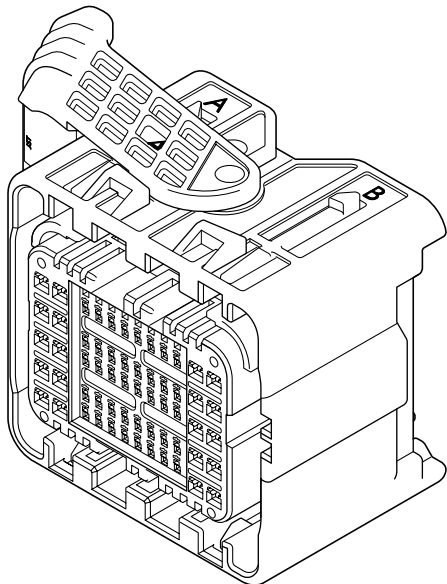




0.63/1.5 mm Sealed hybrid type Connector



Features

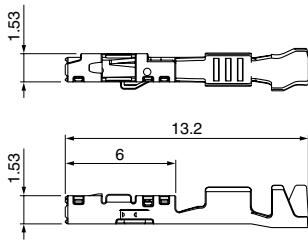
- **Water / Dust protection**
Mat seal is adopted for improving the workability of harness assembling.
- **Side type Terminal Position Assurance (TPA)**
- **Mechanical Assist Lever**
The lever mechanism is adopted to decrease the insertion force in mating male and female.
- **Variation**
Various key code and wire cover can be selected.

Specifications

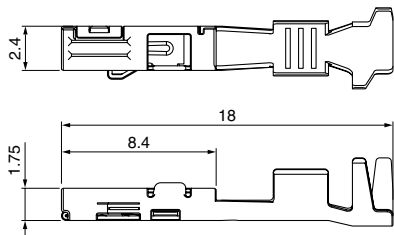
- **Current rating:**
 - 0.63 Terminal/ 5 A max. (0.5 mm², Single circuit)
 - 1.5 Terminal/ 15 A max (1.25 mm², Single circuit)
- **Voltage rating:** 14 V DC
- **Temperature range:** -40°C to +120°C
(including temperature rise in applying electrical current)
- **Contact resistance:**
 - 0.63 Terminal; Initial value/ 10 mΩ max.
After environmental tests/ 20 mΩ max
 - 1.5 Terminal; Initial value/ 5 mΩ max.
After environmental tests/ 10 mΩ max
- **Insulation resistance:** 100 MΩ min.
- **Withstanding voltage:** 1,000 VAC/minute
- **Applicable wire:** AESSX (f)
 - 0.63 Female terminal; 0.3 mm² to 0.5 mm²
 - 1.5 Female terminal; 0.75 mm² to 1.25 mm²
- * Compliant with ELV/RoHS.
- * Contact JST for details.

Female terminal

• 0.63 Female terminal



• 1.5 Female terminal

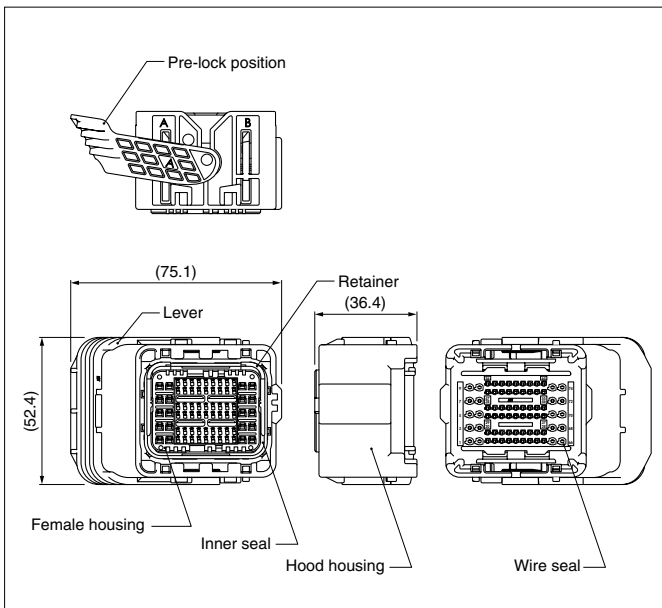


Terminal	Model No.	Applicable wire range		Q'ty/reel
		Conductor (mm ²)	Insulation O.D. (mm)	
0.63	SJIA-A021T-M063	0.3 to 0.5	1.5 to 1.7	10,000
1.5	SNACM-A041T-M1.5	0.75 to 1.25	1.8 to 2.1	5,000

Material and Finish

Copper alloy, tin-plated (reflow treatment)

Female connector



Circuits	Model No.	Q'ty/box	Housing Color
74	74JIA-RB-#(*)-K	162	Black

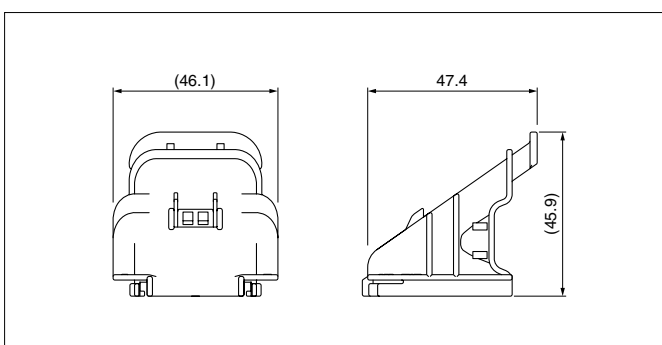
Material

Female housing: Glass-filled PA 66, Black
 Hood housing: Glass-filled PA 66, Black
 Retainer: Glass-filled PA 66, Natural
 Inner seal: Silicone, Green
 Wire seal: Silicone, Green
 Lever: Glass-filled PA 66, Black

(#): The specifications of keycode.

(*): The specifications of lever type and direction.

Wire cover

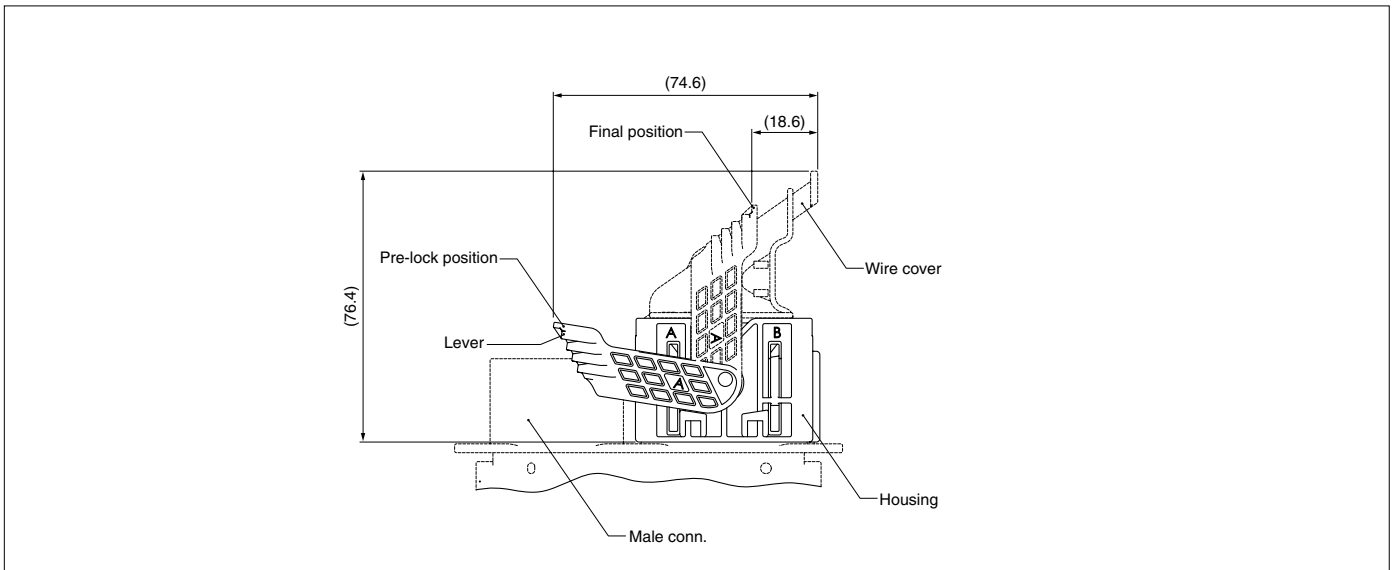


Model No.	Q'ty/box
JIAHC-74H-1A-K	300

Material

Glass-filled PBT, Black

Assembly layout (with wire cover)



Crimping machine, Applicator

Strip terminal	Crimping machine	Crimp applicator MKS-L	
		Dies	Crimp applicator with dies
SJIA-A021T-M063	AP-K2N	MK/SJIA-A021-063	APLMK SJIA-A021-063
SNACM-A041T-M1.5		MK/SNACM-A041-15	APLMK SNACM-A041-15

Note: When crimping operation is conducted using an applicator and die set other than the above, JST cannot guarantee the performance of the terminal.