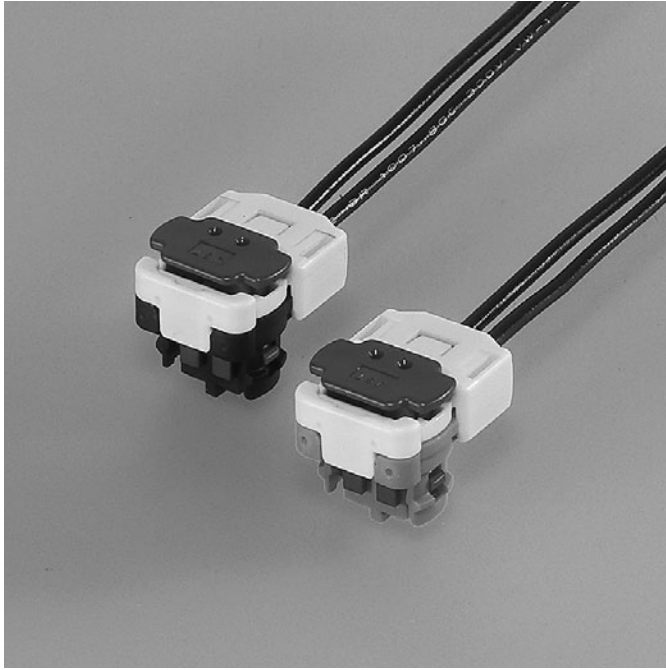
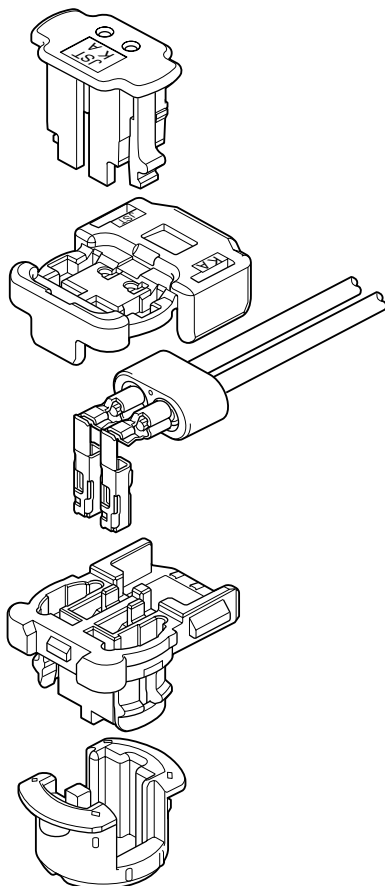


# SQSII CONNECTOR

## Squib connectors



This connector for air-bag, conforming to USCAR standard, has intelligent CPA, which allows locking the connector, incomplete mating detection and release of short-circuit at the same time.



### Features

#### ● Compact design

This connector is approximately 13mm smaller than the SQS connector in total length.

This connector can fit in the outer diameter 25mm or less of an inflator.

#### ● Mating

Intelligent CPA adopted. It enables the connector to be locked securely and prevents incomplete mating on the assembly line resulting in improved connector retention force.

#### ● Terminal construction

The contact part is placed forward compared to the conventional female terminal so that the effective contact length extends.

#### ● Scooping (kajiri) preventive construction

Using a shunt ring with a countermeasure for scooping (kajiri), the resistance to scooping (kajiri) insertion and withdrawal is improved.

#### ● Noise suppression

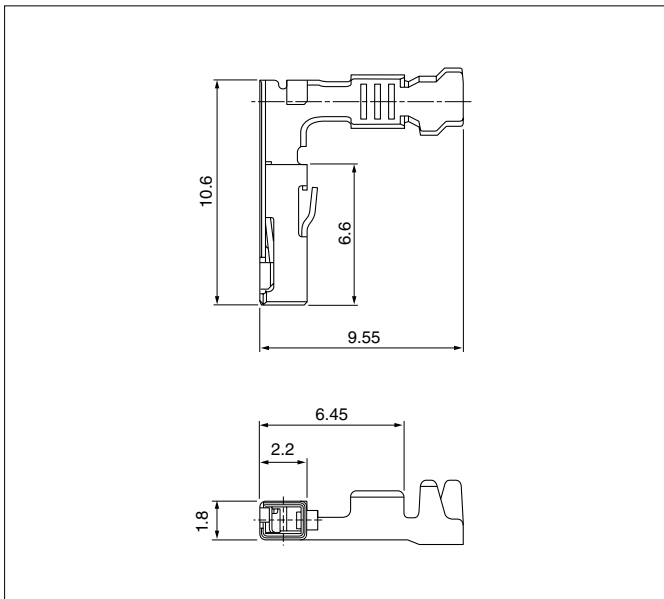
Ferrite core provides simple and reliable noise suppression characteristics.

### Specifications

- Temperature range:  $-30^{\circ}\text{C}$  to  $+80^{\circ}\text{C}$   
(including temperature rise in applying electrical current)
- Insulation resistance:  $100\text{M}\Omega$  min.
- Applicable wire:  $0.3\text{mm}^2$  to  $0.5\text{mm}^2$   
 $0.8\text{mm}^2$

- \* Compliant with ELV/RoHS.
- \* Contact JST for details.

## Female terminal



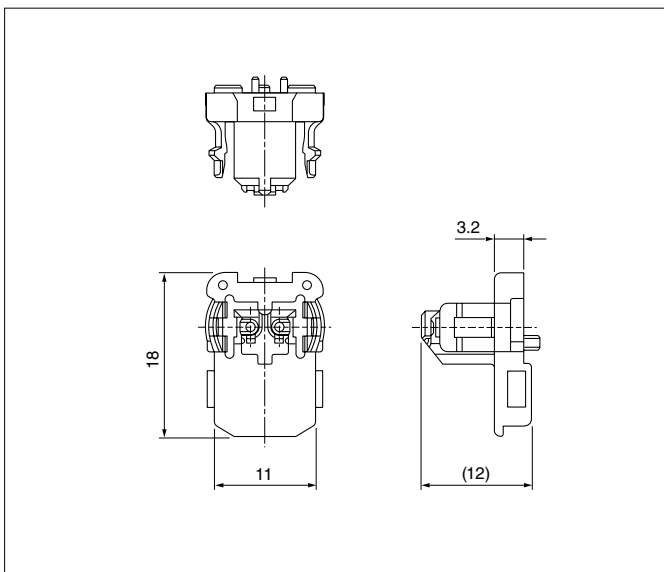
Model No.	Applicable wire range		Q'ty/reel
	Conductor (mm <sup>2</sup> )	Insulation O.D. (mm)	
<b>SSQS2-A03GF-P-P</b>	0.3 to 0.5	1.0 to 1.8	6,500
<b>SSQS2-A03GI-P-P</b>	0.3 to 0.5	1.0 to 1.8	6,500
<b>SSQS2-A04GF-P-P</b>	0.8	2.03	5,000
<b>SSQS2-A04GI-P-P</b>	0.8	2.03	5,000

### Material and Finish

GF: Copper alloy, nickel-undercoated,  
Contact area; gold-plated (0.4μm min.)

GI: Copper alloy, nickel-undercoated,  
Contact area; gold-plated (0.8μm min.)

## Female housing

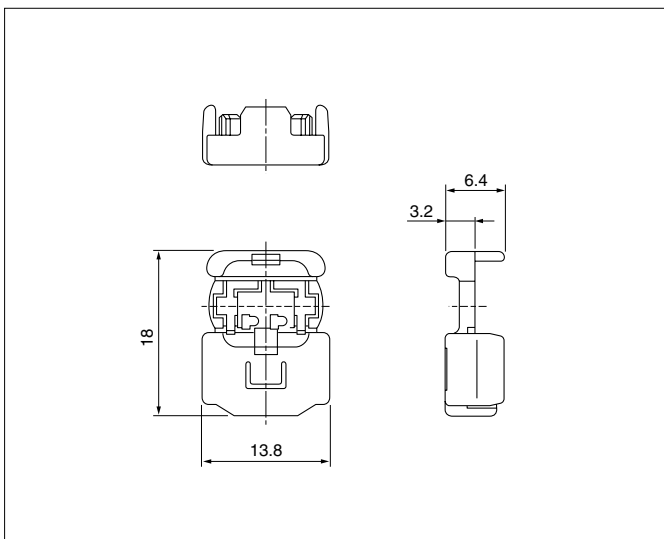


Circuits	Model No.	Q'ty/bag	Color
2	<b>SQS2R-02H-2A-K</b>	1,000	Black
	<b>SQS2R-02H-2C-D</b>	1,000	Orange

### Material

PBT

## Cover housing



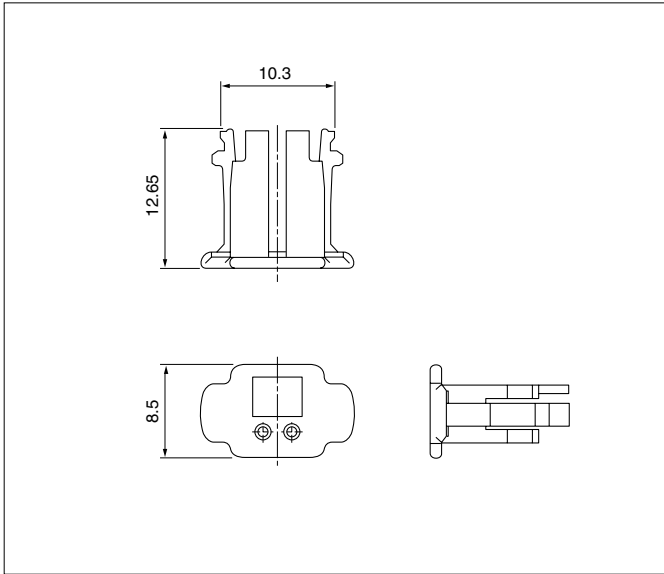
Circuits	Model No.	Q'ty/bag	Color
2	<b>SQS2L-02H-1A-Y</b>	1,000	Yellow

### Material

PBT

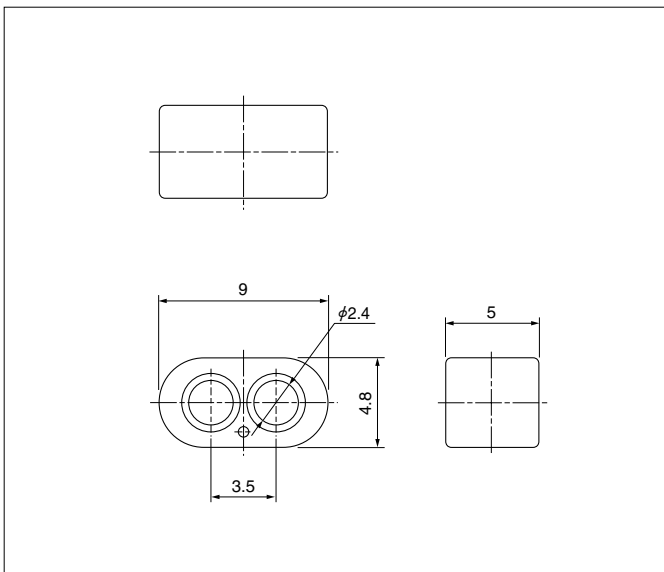
# SQS II CONNECTOR

## CPA housing



Circuits	Model No.	Q'ty/bag	Color
2	<b>SQS2C-02H-1A-R</b>	2,000	Red
Material			
Glass-filled PBT			

## Ferrite



Circuits	Model No.	Q'ty/box
2	<b>SQS2F-02-1T</b>	3,000

## Crimping machine, Applicator

Strip terminal	Crimping machine	Crimp applicator MKS-L	
		Dies	Crimp applicator with dies
<b>SSQS2-A03GF-P-P</b>	AP-K2N	MK/SSQS2-A03-P	APLMK SSQS2-A03-P
<b>SSQS2-A03GI-P-P</b>			
<b>SSQS2-A04GF-P-P</b>			APLMK SSQS2-A04-P
<b>SSQS2-A04GI-P-P</b>			

Note: When crimping operation is conducted using an applicator and die set other than the above, JST cannot guarantee the performance of the terminal.