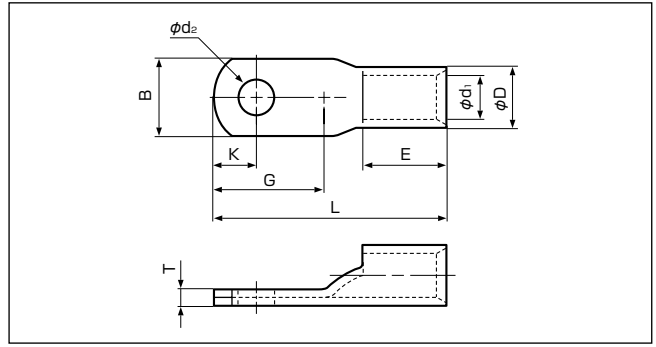
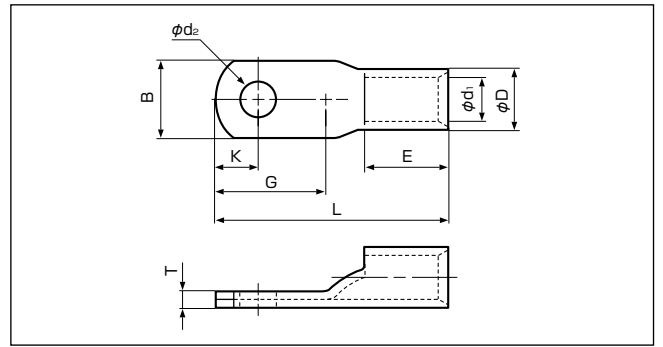


銅管圧着端子（一ツ穴）



形番	寸法(mm)									適用電線範囲		適用圧着工具			1箱入数(個)			
	φd ₂	B	L	E	G	K	φD	φd ₁	T(約)	(mm ²)	AWG(#)	手動	空気圧式	油圧式				
TU2-3	3.2	7.0	20.0	7.0	9.5	4.0	4.0	2.3	1.3	1.04	16~14	YHT-2210	YA-1, YA-2 YA-4, YAT-1A YAT-2A, YAD-1A YAD-2A YAT-4A, YAD-4A	BCT-0514L	2,000			
TU2-4	4.3																	
TU5.5-3	3.2	9.0	21.5	8.5	9.5	4.0	5.5	3.4	1.7	2.63	12~10				YHT-8S	YA-4 YA-5 YAT-4A YAD-4A	YPT-60N, YPT-150-1 BCT-0514L BCT-860L, BCT-8150 (本体) YF-1, E-4, EP-1 (ヘッド) YET-60-1, YET-150-1	1,000
TU5.5-4	4.3																	
TU8-4	4.3	10.0	28.5	11.0	12.5	5.8	7.1	4.5	2.4	6.64	8	—	YA-4 YA-5 YAT-4A YAD-4A	YPT-60N, YPT-150-1 BCT-0514L BCT-860L, BCT-8150 (本体) YF-1, E-4, EP-1 (ヘッド) YET-60-1, YET-150-1	500			
TU8-5	5.3																	
TU14-4	4.3	13.0	34.0	14.0	14.5	6.5	9.0	5.8	3.0	10.52	6	—	YA-4 YA-5 YAT-4A YAD-4A	YPT-60N, YPT-150-1 BCT-860L, BCT-8150 (本体) YF-1, E-4, EP-1 (ヘッド) YET-60-1, YET-150-1	250			
TU14-5	5.3																	
TU14-6	6.4																	
TU14-8	9.0																	
TU22-5	5.3	16.0	37.5	15.0	17.0	7.0	11.4	7.7	3.6	16.78	4	—	YA-5	YPT-60N YPT-150-1 BCT-860L, BCT-8150 (本体) YF-1, E-4, EP-1 (ヘッド) YET-60-1 YET-150-1	200			
TU22-6	6.4																	
TU22L-8	9.0																	
TU38-5	5.3	19.0	44.0	18.0	19.0	8.5	13.3	9.4	3.8	26.66	2	—	YA-5	YPT-60N, YPT-150-1 BCT-860L, BCT-8150 (本体) YF-1, E-4, EP-1 (ヘッド) YET-60-1 YET-150-1	100			
TU38-6	6.4																	
TU38L-8	9.0																	
TU38L-10	11.0																	
TU38L-12	14.0																	
TU60-5	5.3	22.0	55.5	20.0	26.0	10.5	15.4	11.4	4.0	42.42	1/0	—	YA-5	YPT-60N, YPT-150-1 BCT-860L, BCT-8150 (本体) YF-1, E-4, EP-1 (ヘッド) YET-60-1 YET-150-1, YET-300-1 YET-300N	50			
TU60-6	6.4																	
TU60-8	9.0																	
TU60-10	11.0																	
TU60L-10	12.0																	
TU60L-11	12.0																	
TU60L-12	14.0																	
TU70-6	6.4	25.0	58.5	22.0	26.0	10.5	17.5	13.3	4.3	60.57	2/0	—	—	YPT-150-1 BCT-8150 (本体) YF-1, E-4 (ヘッド) YET-150-1 YET-300-1 YET-300N	50			
TU70-8	9.0																	
TU70L-10	11.0																	
TU70L-11	12.0																	
TU70L-12	14.0																	
TU80-6	6.4	27.5	65.0	24.5	28.5	11.5	19.4	14.5	5.1	76.28	3/0	—	—	YPT-150-1 BCT-8150 (本体) YF-1, E-4 (ヘッド) YET-150-1 YET-300-1 YET-300N	25			
TU80-8	9.0																	
TU80-10	11.0																	
TU80L-10	12.0																	
TU80L-11	12.0																	
TU80L-12	14.0																	
TU100-8	9.0	31.5	71.0	25.5	31.3	14.5	22.0	16.4	5.7	96.3	4/0	—	—	YPT-150-1 BCT-8150 (本体) YF-1, E-4 (ヘッド) YET-150-1 YET-300-1 YET-300N	25			
TU100-10	11.0																	
TU100M-11	12.0																	
TU100M-12	14.0																	
TU100M-16	18.0																	
TU100L-11	12.0																	
TU100L-12	14.0																	
TU100L-16	18.0																	

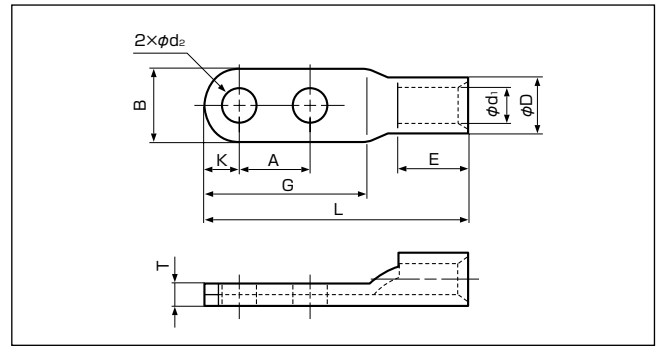
注) 本製品の中には多少納期を要するものもあります。



形番	寸法(mm)								適用電線範囲		適用圧着工具			1箱 入数 (個)									
	φd ₂	B	L	E	G	K	φD	φd ₁	T(約)	(mm ²)	AWG(#)	手動	空気圧式		油圧式								
TU150-10	11.0	38.0	88.0	34.5	36.3	16.5	26.5	19.5	7.0	117.2 ∧ 152.05	250/300 MCM	—	—	YPT-150-1 BCT-8150 (本体)YF-1,E-4 (ヘッド) YET-150-1 YET-300-1 YET-300N	20								
TU150-11	12.0																						
TU150-12	14.0																						
TU150M-16	18.0																						
TU150M-20	22.0																						
TU150L-16	18.0																						
TU150L-20	22.0	95.3	43.8	20.0	28.5	21.0	7.7	152.05 ∧ 192.60	350MCM	—	—	(本体) YF-1 E-4 (ヘッド) YET-300-1 YET-300N	10										
TU180-10	11.0																						
TU180-11	12.0																						
TU180-12	14.0																						
TU180M-16	18.0																						
TU180M-20	22.0																						
TU180M-22	24.0	104.0	36.5	50.0	22.5	32.5	24.0	8.5	192.60 ∧ 242.27	400MCM	—	—	(本体) YF-1 E-4 (ヘッド) YET-300-1 YET-300N	10									
TU180L-16	18.0																						
TU180L-20	22.0																						
TU180L-22	24.0																						
TU200-10	11.0																						
TU200-11	12.0																						
TU200-12	14.0	101.0	46.3	21.0	37.0	28.0	9.0	242.27 ∧ 325	600/650 MCM	—	—	(本体) YF-1 E-4 (ヘッド) YET-300-1 YET-300N	10										
TU200M-16	18.0																						
TU200M-20	22.0																						
TU200M-22	24.0																						
TU200L-16	18.0																						
TU200L-20	22.0																						
TU200L-22	24.0	109.0	37.0	54.0	26.0	37.0	28.0	9.0	242.27 ∧ 325	600/650 MCM	—	—	(本体) YF-1 E-4 (ヘッド) YET-300-1 YET-300N	10									
TU325-10	11.0																						
TU325-11	12.0																						
TU325-12	14.0																						
TU325M-16	18.0																						
TU325M-20	22.0																						
TU325M-27	29.0	121.0	42.0	60.0	29.0	37.0	28.0	9.0	242.27 ∧ 325	600/650 MCM	—	—	(本体) YF-1 E-4 (ヘッド) YET-300-1 YET-300N	10									
TU325L-16	18.0																						
TU325L-20	22.0																						
TU325L-27	29.0																						
TU325M-16	18.0	53.0	121.0	42.0	60.0										37.0	28.0	9.0	242.27 ∧ 325	600/650 MCM	—	—	(本体) YF-1 E-4 (ヘッド) YET-300-1 YET-300N	5
TU325M-20	22.0																						
TU325M-27	29.0																						
TU325L-16	18.0																						
TU325L-20	22.0																						
TU325L-27	29.0																						

注) 本製品の中には多少納期を要するものもあります。

銅管圧着端子(ニツ穴)



形番	寸法(mm)										適用電線範囲		適用圧着工具			1箱入数(個)
	φd2	B	L	E	G	K	A	φD	φd1	T(約)	(mm ²)	AWG(#)	手動	空気圧式	油圧式	
TU8A-4	4.3	10.0	40.5	11.0	25.0	5.8	12.0	7.1	4.5	2.4	6.64	8	YHT-8S	YA-4	YPT-60N, YPT-150-1 BCT-0514L	250
TU8A-5	5.3										10.52					
TU8A-6	6.4										10.52					
TU14A-4	4.3	13.0	45.5	14.0	26.5	6.5	12.0	9.0	5.8	3.0	10.52	6	—	YAT-4A YAD-4A	(本体) YF-1, E-4, EP-1 (ヘッド) YET-60-1, YET-150-1	250
TU14A-5	5.3										16.78					
TU14A-6	6.4										16.78					
TU22A-5	5.3	16.0	53.0	15.0	33.0	7.0	16.0	11.4	7.7	3.6	16.78	4	—	YA-5	YPT-60N YPT-150-1 BCT-860L, BCT-8150 (本体) YF-1, E-4, EP-1 (ヘッド) YET-60-1, YET-150-1	100
TU22A-6	6.4										26.66					
TU22A-8	9.0										26.66					
TU38A-5	5.3	19.0	62.0	18.0	37.5	8.5	16.0	13.3	9.4	3.8	26.66	2	—	—	YET-60-1, YET-150-1	50
TU38A-6	6.4										42.42					
TU38A-8	9.0										42.42					
TU60A-10	11.0	22.0	86.0	20.0	56.0	13.0	28.0	15.4	11.4	4.0	42.42	1/0	—	YA-5	YPT-60N, YPT-150-1 BCT-860L, BCT-8150 (本体) YF-1, E-4, EP-1 (ヘッド) YET-60-1, YET-150-1 YET-300-1, YET-300N	50
TU60B-10			90.0		60.0		32.0				60.57					
TU70A-10	11.0	25.0	90.0	22.0	57.0	13.5	28.0	17.5	13.3	4.3	60.57	2/0	—	—	YPT-150-1 BCT-8150 (本体) YF-1, E-4	50
TU70B-10			94.0		61.0		32.0				~76.28					
TU80A-10	11.0	27.5	95.0	24.5	58.0	13.5	28.0	19.4	14.5	5.1	76.28	3/0	—	—	(本体) YF-1, E-4 (ヘッド) YET-150-1 YET-300-1 YET-300N	25
TU80B-10			99.0		62.0		32.0				~96.3					
TU100A-10	11.0	31.5	99.0	25.5	59.0	14.5	28.0	22.0	16.4	5.7	96.3	4/0	—	—	YET-150-1 YET-300-1 YET-300N	25
TU100B-10			103.0		63.0		32.0				~117.2					
TU150A-12	14.0	38.0	128.0	34.5	76.0	16.5	40.0	26.5	19.5	7.0	117.2	250/300 MCM	—	—	YET-150-1 YET-300-1 YET-300N	10
TU150B-12			120.0		68.0		32.0				~152.05					
TU180A-12	14.0	41.0	132.0	36.5	78.0	16.5	40.0	28.5	21.0	7.7	152.05	350MCM	—	—	(本体) YF-1 E-4 (ヘッド) YET-300-1 YET-300N	10
TU180B-12			124.0		70.0		32.0				~192.60					
TU200A-12	14.0	46.0	141.0	37.0	86.0	21.0	40.0	32.5	24.0	8.5	192.60	400MCM	—	—	YET-300-1 YET-300N	5
TU200B-12			133.0		78.0		20.5				32.0					
TU325A-12	14.0	53.0	152.5	42.0	91.5	23.5	40.0	37.0	28.0	9.0	242.27	600/650 MCM	—	—	YET-300-1 YET-300N	5
TU325B-12			144.5		83.5		20.5				32.0					

注) 本製品の中には多少納期を要するものもあります。