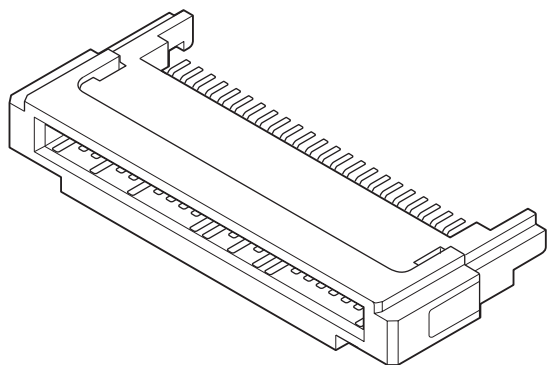


EXPRESS CARD CONNECTOR



This is the module connector for Express Card complying with Express Card Standard Ver.1.0.



Features

- **Complying with PCMCIA Express Card Standard Ver.1.0**

This modular connector complies with PCMCIA Express Card Ver.1.0 which has been standardized as next generation of PC Card. It is registered as the Compliant Product in Web site of Express Card. Compliance ID: EC100017

- **Excellent durability**

It is the high reliability module which number of durability is 10,000 cycles is guaranteed.

- **Variation**

According to the customer's requirement, the offset of connector solder tails is enabled.

Specifications

- Current rating: 0.75 A AC, DC/Line
- Temperature range: 0°C to +55°C
(including temperature rise in applying electrical current)
- Contact resistance: Initial value/ 40 mΩ max.
After environmental tests/ 15 mΩ max.
(variation from initial value)
- Withstanding voltage: 500 VAC/minute
- Durability: 10,000 cycles
- Insertion loss: -1.7 dB min. (3.125 GHz)/-5.5 dB min. (6 GHz)
- Return loss: -10 dB max. (3.125 GHz)/-5 dB max. (6 GHz)
- Cross talk: -32 dB max. (3.125 GHz)/-26 dB max. (6 GHz)

* Refer to "General Instruction and Notice when using Terminals and Connectors" at the end of this catalog.

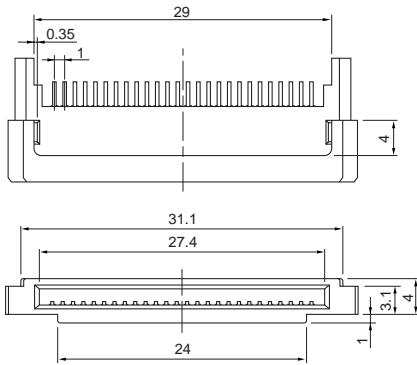
* Contact JST for details.

* Compliant with RoHS.

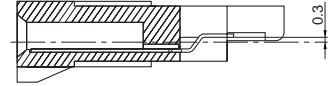
EXPRESS CARD CONNECTOR

Module Connector

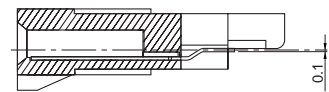
Upper mounting type



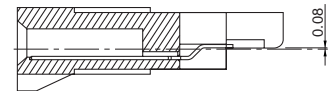
● Offset 0.3 mm / EX-M26S-152-A220



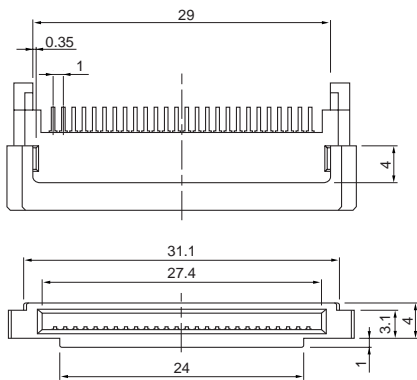
● Offset 0.1 mm / EX-M26S-152-A121
/ EX-M26S-152-B121



● Offset 0.08 mm / EX-M26S-152-A222

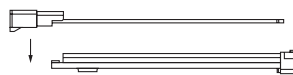


Bottom mounting type

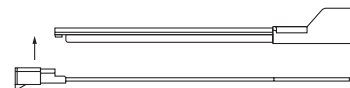


Frame mounting direction

● Upper mounting type



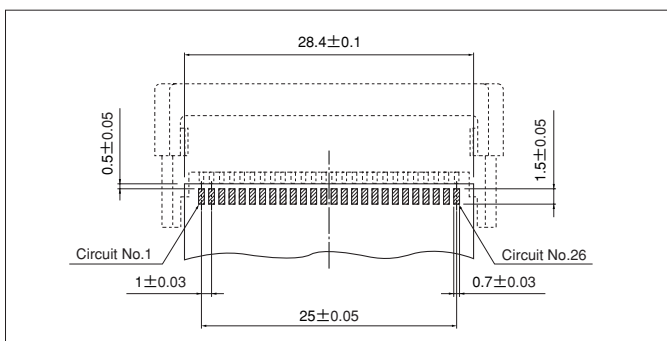
● Bottom mounting type



Circuits	Offset size	Frame mounting type	Resin color	Model No.	Material and Finish	Q'ty/box
26	0.3	Upper side	Black	EX-M26S-152-A220	Contact: Copper alloy, nickel-undercoated, Mating part; gold-plated Solder tail; tin-plated (reflow treatment) Housing: LCP, UL94V-0, black	3,510
	0.1	Upper side	Black	EX-M26S-152-A121		
			Gray	EX-M26S-152-B121		
0.08	Upper side	Black	EX-M26S-152-A222			

RoHS compliance This product displays (LF)(SN) on a label.

PC board layout (viewed from component side)



Note: 1. Tolerances are non-cumulative: ± 0.03 mm for all centers.
2. The dimensions above should serve as a guideline. Contact JST for details.