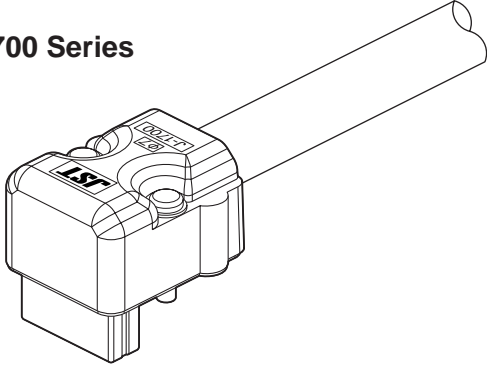




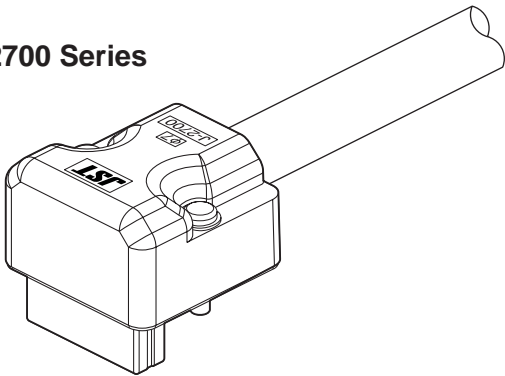
JFA CONNECTOR J1700/2700/3700 SERIES

Connector for motor

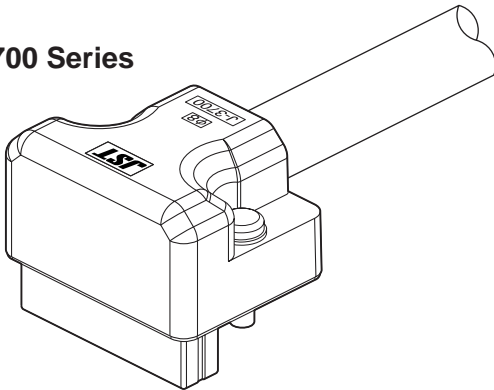
J1700 Series



J2700 Series



J3700 Series



- 6 circuit connector for power supply of servomotor
- Interchangeability with J1700M/2700M/3700M Series (EMI shielding product)

Specifications

- Current rating: 5 A AC, DC J1700 Series 2.0 mm pitch
(When applying current to 3-circuit and using AWG #20.)
7 A AC, DC J2700 Series 2.5 mm pitch
(When applying current to 3-circuit and using AWG #20.)
10 A AC, DC J3700 Series 3.8 mm pitch
(When applying current to 3-circuit and using AWG #16.)
 - Voltage rating: 250 V AC, DC
 - Temperature range: -55°C to +105°C
(including temperature rise in applying electrical current)
 - Applicable cable O.D.: $\phi 6\pm 0.3$ mm (J1700/J2700 Series)
 $\phi 7\pm 0.3$ mm (J1700/J2700 Series)
 $\phi 8\pm 0.3$ mm (J3700 Series)
 $\phi 9\pm 0.3$ mm (J3700 Series)
 - Waterproof grade: Grade 5 ingress protection of JIS C 0920
(IPX5 of IEC 60529)
- * Model number of connector kits is only registered to UL standard. (Each part number is not registered.)
- * Refer to "General Instruction and Notice when using Terminals and Connectors" at the end of this catalog.
- * Contact JST for details.
- * Compliant with RoHS.

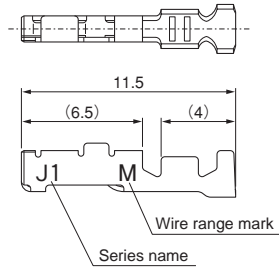
Standards

Recognized E 60389

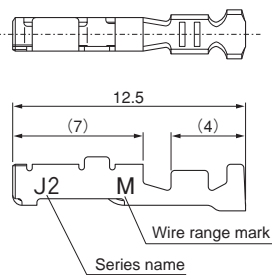
JFA CONNECTOR J1700/2700/3700 SERIES

Receptacle contact

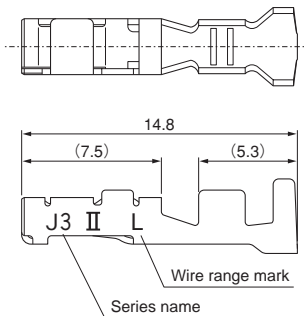
● J1000 Series



● J2000 Series



● J3000 Series



Series	Strip contact Model No.	Applicable wire			Insulation O.D. (mm)	Q'ty/ reel
		Size	mm ²	AWG #		
J1000	SJ1F-002GF-P0.8	S	0.08~0.20	28~24	0.88~1.43	6,000
	SJ1F-01GF-P0.8	M	0.20~0.50	24~20	1.11~1.53	6,000
J2000	SJ2F-002GF-P1.0	S	0.08~0.20	28~24	0.88~1.43	6,000
	SJ2F-01GF-P1.0	M	0.20~0.50	24~20	1.11~1.53	6,000
J3000	SJ3F-002GF-P1.8	S	0.08~0.20	28~24	0.88~1.43	3,500
	SJ3F-01GF-P1.8	M	0.20~0.50	24~20	1.11~1.86	3,500
	SJ3F-41GF-P1.8	L	0.50~1.25	20~16	1.53~2.50	3,000

Material and Finish

Copper alloy (superior conductivity), nickel-undercoated, selective gold-plated

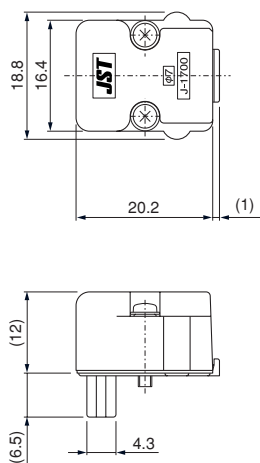
RoHS compliance

Crimping machine, Applicator

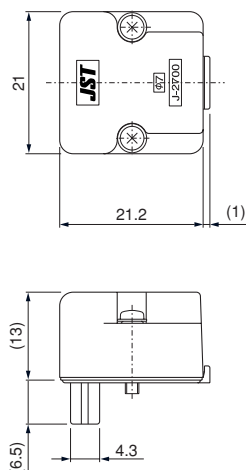
Series	Strip contact Model No.	Crimping machine	Applicator		Hand tools	
			Crimp applicator	Dies		
J1000	SJ1F-002GF-P0.8	AP-K2N	MKS-L	MK/SJ1F/M002-08	APLMK SJ1F/M002-08	YRS-8831
	SJ1F-01GF-P0.8			MK/SJ1F/M01-08	APLMK SJ1F/M01-08	YRS-8841
J2000	SJ2F-002GF-P1.0			MK/SF2F/M002-10	APLMK SF2F/M002-10	YRS-8851
	SJ2F-01GF-P1.0			MK/SF2F/M01-10	APLMK SF2F/M01-10	YRS-8861
J3000	SJ3F-002GF-P1.8			MK/SJ3F/M002-20	APLMK SJ3F/M002-20	YRF-882
	SJ3F-01GF-P1.8			MK/SJ3F/M01-20	APLMK SJ3F/M01-20	YRF-881
	SJ3F-41GF-P1.8	MK/SF3F/M41-20	APLMK SF3F/M41-20	YRF-880		

Assembly layout

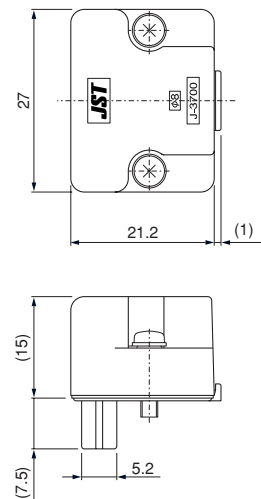
● J1700 Series



● J2700 Series

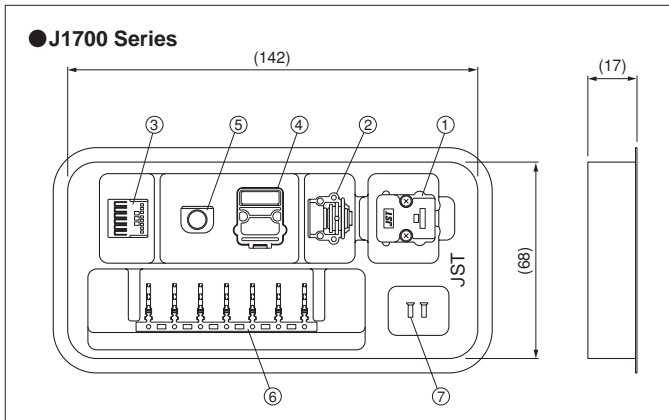


● J3700 Series



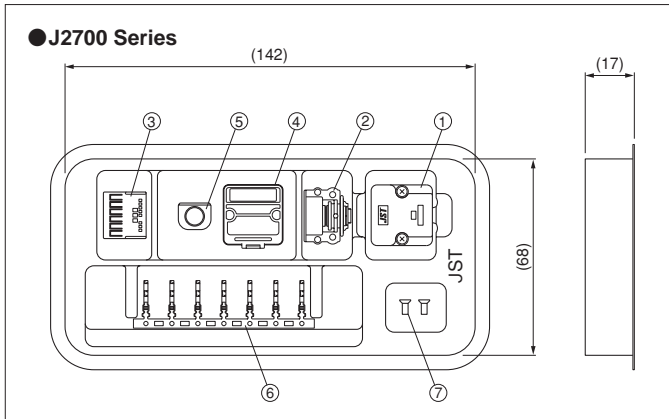
JFA CONNECTOR J1700/2700/3700 SERIES

Connector kits



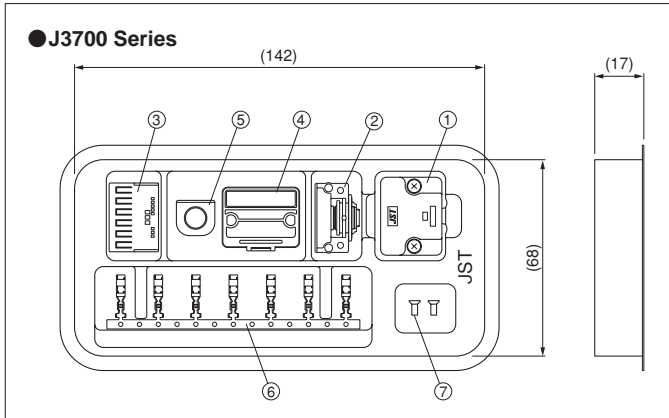
Connector kits Model No.	Applicable cable O.D.	Size	Q'ty/box	No.	Part Name	Q'ty
J17-06FMH-6KL-1S-CF	φ 6	S	13	①	Top cover assembly	1
				②	Bottom cover assembly	1
J17-06FMH-6KL-1M-CF	φ 6	M	13	③	Receptacle housing	1
				④	Seal rubber plate	1
J17-06FMH-7KL-1S-CF	φ 7	S	13	⑤	Seal ring	1
				⑥	Receptacle contact	7
J17-06FMH-7KL-1M-CF	φ 7	M	13	⑦	Flat countersunk screw	2

RoHS compliance



Connector kits Model No.	Applicable cable O.D.	Size	Q'ty/box	No.	Part Name	Q'ty
J27-06FMH-6KL-1S-CF	φ 6	S	13	①	Top cover assembly	1
				②	Bottom cover assembly	1
J27-06FMH-6KL-1M-CF	φ 6	M	13	③	Receptacle housing	1
				④	Seal rubber plate	1
J27-06FMH-7KL-1S-CF	φ 7	S	13	⑤	Seal ring	1
				⑥	Receptacle contact	7
J27-06FMH-7KL-1M-CF	φ 7	M	13	⑦	Flat countersunk screw	2

RoHS compliance



Connector kits Model No.	Applicable cable O.D.	Size	Q'ty/box	No.	Part Name	Q'ty
J37-06FMH-8KL-1S-CF	φ 8	S	13	①	Top cover assembly	1
				②	Bottom cover assembly	1
J37-06FMH-8KL-1M-CF	φ 8	M	13	③	Receptacle housing	1
				④	Seal rubber plate	1
J37-06FMH-8KL-1L-CF	φ 8	L	13	⑤	Seal ring	1
				⑥	Receptacle contact	7
J37-06FMH-9KL-1S-CF	φ 9	S	13	⑦	Flat countersunk screw	2
				⑦	Flat countersunk screw	2

RoHS compliance

Connector parts

Components	J1700 Series				J2700 Series				J3700 Series			
	Model No.	Applicable cable O.D.	Size	Q'ty/box	Model No.	Applicable cable O.D.	Size	Q'ty/box	Model No.	Applicable cable O.D.	Size	Q'ty/box
Top cover assembly	*J17-6TCA-KR-CF	φ 6	—	180	*J27-6TCA-KR-CF	φ 6	—	165	*37-8TCA-KR-CF	φ 8	—	120
	*J17-7TCA-KR-CF	φ 7	—		*J27-7TCA-KR-CF	φ 7	—		*J37-9TCA-KR-CF	φ 9	—	
Bottom cover assembly	*J17-6BCA-KR	φ 6	—	504	*J27-6BCA-KR	φ 6	—	462	*J37-8BCA-KR	φ 8	—	315
	*J17-7BCA-KR	φ 7	—		*J27-7BCA-KR	φ 7	—		*J37-9BCA-KR	φ 9	—	
Receptacle housing	*J1FSN-06V-K	—	—	350	*J2FSN-06V-K	—	—	300	*J3FSN-06V-K	—	—	150
Seal rubber plate	*J1SP-KN-1	—	—	500	*J2SP-KN-1	—	—	400	*J3SP-KN-1	—	—	300
Seal ring	*JSR-6GN-1	φ 6	—	1,000 (bag)	*JSR-6GN-1	φ 6	—	1,000 (bag)	*JSR-8KN-1	φ 8	—	600 (bag)
	*JSR-7KN-1	φ 7	—		*JSR-7KN-1	φ 7	—		*JSR-9GN-1	φ 9	—	
Receptacle contact	SJ1F-002GF-P0.8	—	S	6,000 (reel)	SJ2F-002GF-P1.0	—	S	6,000 (reel)	SJ3F-002GF-P1.8	—	S	3,500 (reel)
	SJ1F-01GF-P0.8	—	M		SJ2F-01GF-P1.0	—	M		SJ3F-01GF-P1.8	—	M	
	SJ1F-41GF-P1.8	—	L		SJ2F-41GF-P1.8	—	L		SJ3F-41GF-P1.8	—	L	
Flat countersunk screw	*PM1.6-5KZ-CF	—	—	10,000	*PM2-5KZ-CF	—	—	6,000	*PM2-5KZ-CF	—	—	6,000

RoHS compliance

Note: *Marked products are not approved by UL standard.

JFA CONNECTOR J1700/2700/3700 SERIES

Model number identification

Receptacle contact

	S J1 F - 01 GF - P 08
Form: S...Strip form	
Series name: J1...J1000, J2...J2000, J3...J3000	
Kind of terminal: F...Receptacle contact	
Applicable wire range: 002...AWG #28~#24, 01...AWG #24~#20, 41...AWG #20~#16	
Surface finish: GF...Nickel-undercoated, selective gold-plated (0.38 μ m)	
Material: P...Copper alloy	
Terminal size: 0.8...J1000, 1.0...J2000, 1.8...J3000	

Kit

	J17 - 06 FMH - 7 K L - 1 M - CF
Series name: J17...J1700, J27...J2700, J37...J3700	
Circuits: 6	
Part name:	
Applicable cable O.D.: 6... ϕ 6, 7... ϕ 7, 8... ϕ 8, 9... ϕ 9	
Color indication: K...Black	
Packaging form: L...Tray for kit	
Sub model number:	
Size: S...S type, M...M type, L...L type	
Hexavalent chromium free	

Top cover assembly

	J17 - 7 TCA - K R - CF
Series name: J17...J1700, J27...J2700, J37...J3700	
Applicable cable O.D.: 6... ϕ 6, 7... ϕ 7, 8... ϕ 8, 9... ϕ 9	
Part name: TCA...Top cover	
Color indication: K...Black	
Packaging form: R...Tray	
Hexavalent chromium free:	

Bottom cover assembly

	J17 - 7 BCA - K R
Series name: J17...J1700, J27...J2700, J37...J3700	
Applicable cable O.D.: 6... ϕ 6, 7... ϕ 7, 8... ϕ 8, 9... ϕ 9	
Part name: BCA...Bottom cover	
Color indication: K...Black	
Packaging form: R...Tray	

Receptacle housing

	J1 F S N - 06 V - K
Series name: J1...J1700, J2...J2700, J3...J3700	
Part name:	
Rows.: S...Single-row	
Mounting arrangement: N...Non-locking type	
Circuits: 6	
Flammability: V...VL94V-0	
Color indication: K...Black	

Seal rubber plate

	J1 SP - K N - 1
Series name: J1...J1700, J2...J2700, J3...J3700	
Part name:	
Color indication: K...Black	
Material:	
Sub model number:	

Seal ring

	J SR - 7 K N - 1
Series name:	
Part name:	
Applicable cable O.D.: 6... ϕ 6, 7... ϕ 7, 8... ϕ 8, 9... ϕ 9	
Color indication: K...Black	
Material:	
Sub model number:	

Flat countersunk screw

	P M1.6 - 5 K Z - CF
Part name:	
Screw size: M1.6...M1.6 screw, M2...M2 screw	
Screw length: 5... 5 mm	
Color indication: K...Black	
Surface finish: Z...Chromate treatment	
Hexavalent chromium free:	