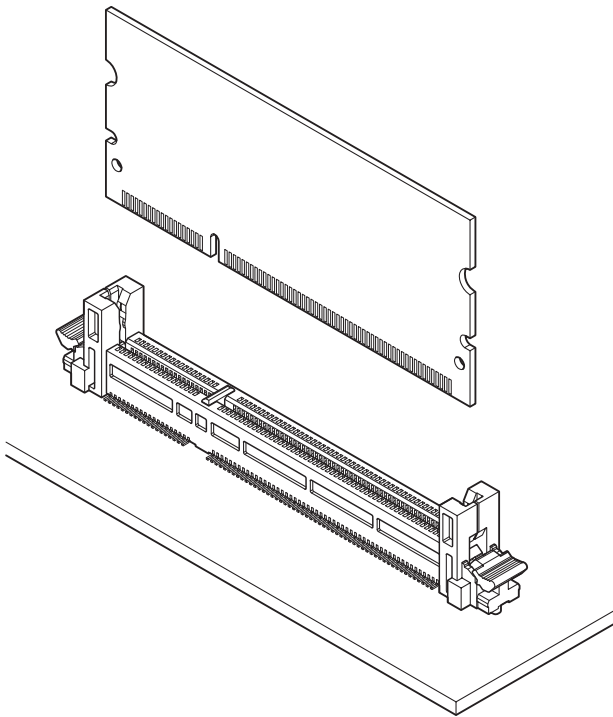


# DM-144P CONNECTOR

0.8mm pitch/Socket for DDR2 S.O.DIMM Corresponding to 32 bits

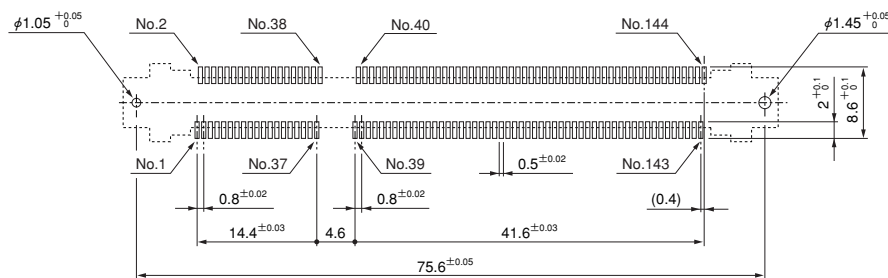


**Socket for DDR2 S.O.DIMM 144-circuit complying with JEDEC (MO-274). Corresponding to the data transmission bandwidth of 32 bits.**

- Easy module inserting/ejecting
- Low profile of 14.0mm height

## Specifications

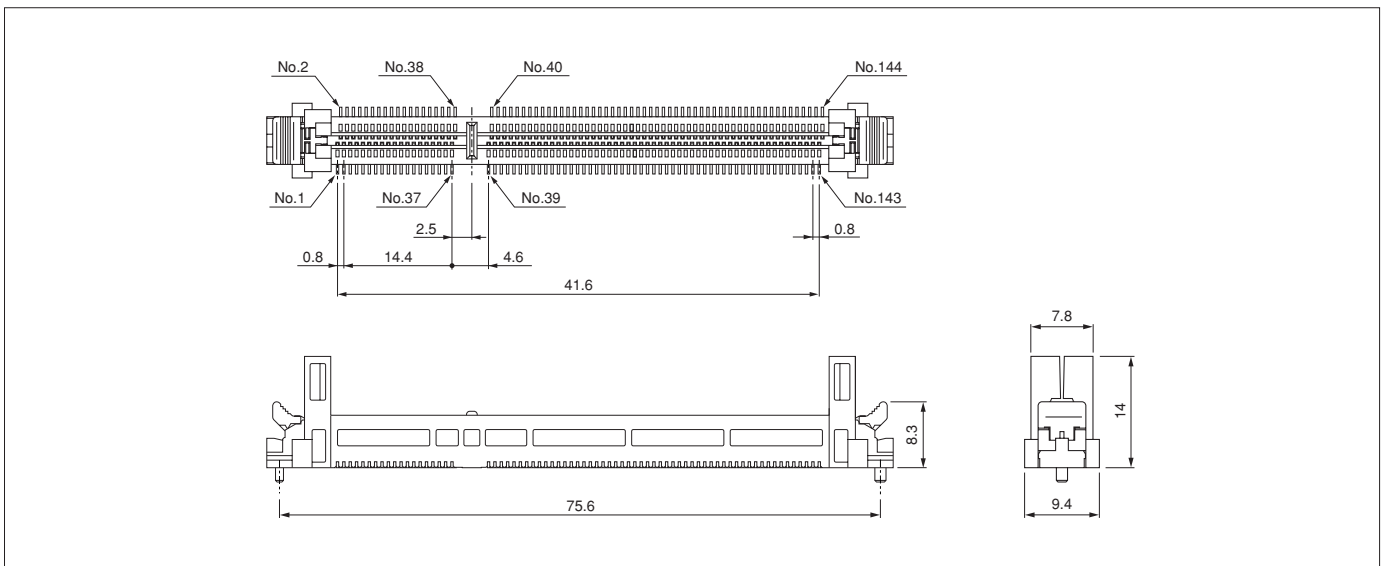
- Current rating: 0.5A AC, DC
- Voltage rating: 250V AC, DC
- Temperature range: -25°C to +85°C  
(including temperature rise in applying electrical current)
- Contact resistance: Initial value/30m Ω max.  
After environmental testing/50m Ω max.
- Insulation resistance: 250M Ω min.
- Withstanding voltage: 250V AC/minute
- \* Compliant with RoHS.
- \* Refer to "General Instruction and Notice when using Terminals and Connectors" at the end of this catalog.
- \* Contact JST for details.



Note: 1. The above figure is the figure viewed from the connector mounting side.  
2. Tolerances are non-cumulative:  $±0.02$ mm for all centers.  
3. The dimensions above should serve as a guideline. Contact JST for details.

# DM-144P CONNECTOR/32 bits

## Connector



| Model No.    | Material and Finish  | Q'ty / box |
|--------------|--|------------|
| DM-5D7-B3200 | Contact: Copper alloy, nickel-undercoated, gold-plated<br>Housing: Heat resisting resin, UL94V-0, black<br>Ejector: Heat resisting resin, UL94V-0, green | 224        |

RoHS compliance

## Applicable PC board layout (for reference)

