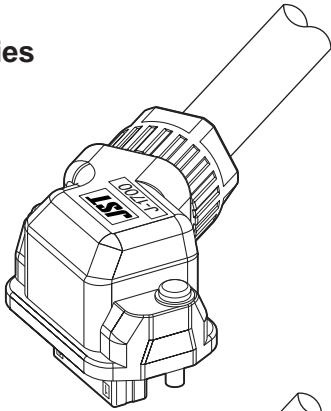




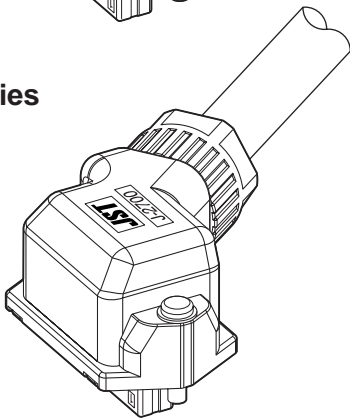
JFA CONNECTOR J1700/2700/3700 SERIES (S TYPE)

Connector for motor (Reversed mounting arrangement product)

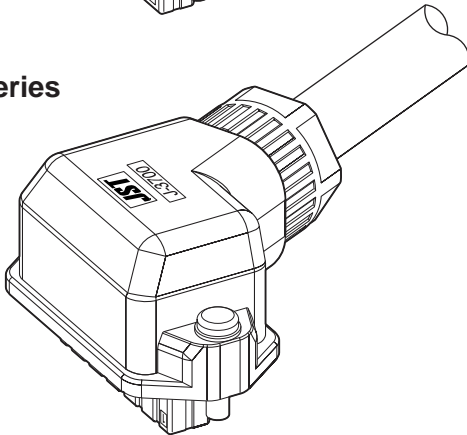
J1700 Series



J2700 Series



J3700 Series




- **6 circuit connector for power supply of servomotor**
- **Direction of drawing out cable can be selected at left or right.**

Specifications

- Current rating: 5 A AC, DC J1700 Series 2.0 mm pitch
(When applying current to 3-circuit and using AWG #20.)
7 A AC, DC J2700 Series 2.5 mm pitch
(When applying current to 3-circuit and using AWG #20.)
10 A AC, DC J3700 Series 3.8 mm pitch
(When applying current to 3-circuit and using AWG #16.)
 - Voltage rating: 250 V AC, DC
 - Temperature range: -55°C to +105°C
(including temperature rise in applying electrical current)
 - Applicable cable O.D.: $\phi 7\pm 0.3$ mm (J1700/J2700 Series)
 $\phi 8\pm 0.3$ mm (J3700 Series)
 - Waterproof grade: Grade 7 ingress protection of JIS C 0920
(IPX7 of IEC 60529)
- * Model number of connector kits is only registered to UL standard. (Each part number is not registered.)
* Refer to "General Instruction and Notice when using Terminals and Connectors" at the end of this catalog.
* Contact JST for details.
* Compliant with RoHS.

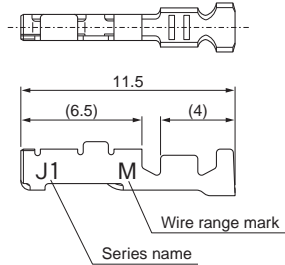
Standards

 Recognized E 60389

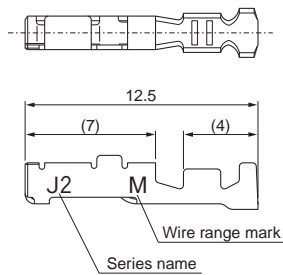
JFA CONNECTOR J1700/2700/3700 SERIES (S TYPE)

Receptacle contact

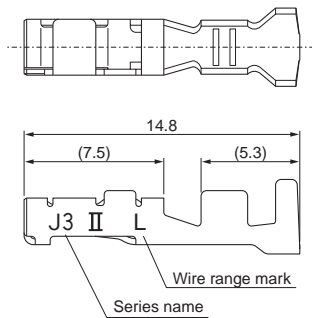
● J1000 Series



● J2000 Series



● J3000 Series



Series	Strip contact Model No.	Applicable wire			Insulation O.D. (mm)	Q'ty/reel
		Size	mm ²	AWG #		
J1000	SJ1F-01GF-P0.8	M	0.20~0.50	24~20	1.11~1.53	6,000
J2000	SJ2F-01GF-P1.0	M	0.20~0.50	24~20	1.11~1.53	6,000
J3000	SJ3F-01GF-P1.8	M	0.20~0.50	24~20	1.11~1.86	3,500
	SJ3F-41GF-P1.8	L	0.50~1.25	20~16	1.53~2.50	3,000

Material and Finish

Copper alloy (superior conductivity), nickel-undercoated, selective gold-plated

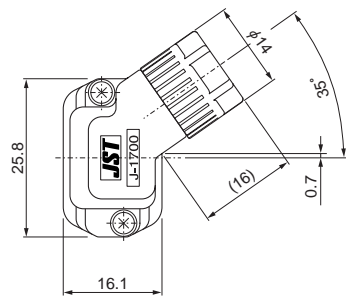
RoHS compliance

Crimping machine, Applicator

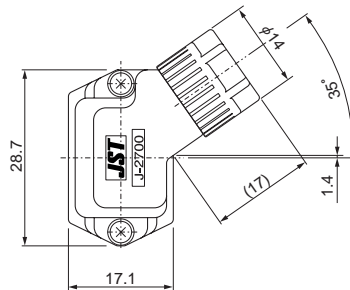
Series	Strip contact Model No.	Crimping machine	Applicator			Hand tools
			Crimp applicator	Dies	Crimp applicator with dies	
J1000	SJ1F-01GF-P0.8	AP-K2N	MKS-L	MK/SJ1F/M01-08	APLMK SJ1F/M01-08	YRS-8841
J2000	SJ2F-01GF-P1.0			MK/SJ2F/M01-10	APLMK SJ2F/M01-10	YRS-8861
J3000	SJ3F-01GF-P1.8			MK/SF3F/M01-20	APLMK SF3F/M01-20	YRF-881
	SJ3F-41GF-P1.8			MK/SF3F/M41-20	APLMK SF3F/M41-20	YRF-880

Assembly layout

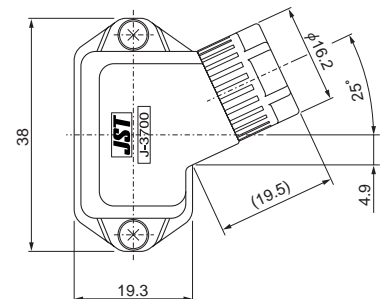
● J1700 Series



● J2700 Series



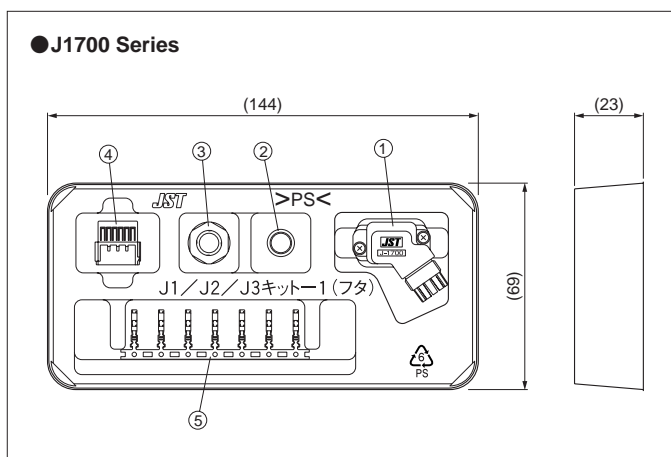
● J3700 Series



JFA CONNECTOR J1700/2700/3700 SERIES (S TYPE)

Connector kits

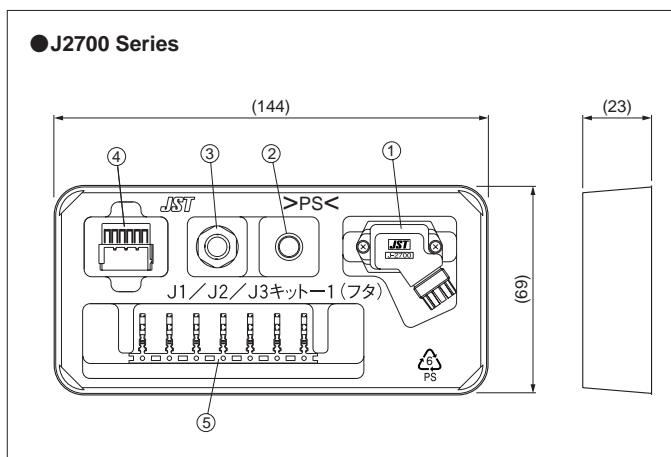
●J1700 Series



Connector kit Model No.	Q'ty/ box	No.	Part Name	Q'ty
J17S-06FMH-7KL-M-CF	10	①	Cover assembly	1
		②	Seal ring	1
		③	Clamp nut	1
		④	Receptacle housing	1
		⑤	Receptacle contact (M type)	7

RoHS compliance

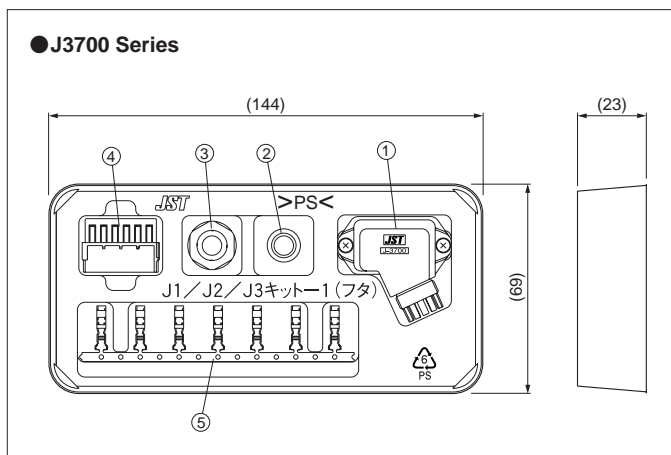
●J2700 Series



Connector kit Model No.	Q'ty/ box	No.	Part Name	Q'ty
J27S-06FMH-7KL-M-CF	10	①	Cover assembly	1
		②	Seal ring	1
		③	Clamp nut	1
		④	Receptacle housing	1
		⑤	Receptacle contact (M type)	7

RoHS compliance

●J3700 Series



Connector kit Model No.	Q'ty/ box	No.	Part Name	Q'ty
J37S-06FMH-8KL-L-CF	10	①	Cover assembly	1
		②	Seal ring	1
		③	Clamp nut	1
		④	Receptacle housing	1
		⑤	Receptacle contact (L type)	7

RoHS compliance

Connector parts

Components	J1700 Series			J2700 Series			J3700 Series		
	Model No.	Size	Q'ty/box	Model No.	Size	Q'ty/box	Model No.	Size	Q'ty/box
Cover assembly	*J17S-COA-KR	—	45	*J27S-COA-KR	—	45	*J37S-COA-KR	—	30
Seal ring	*JSSR-7KN	—	1,000 (bag)	*JSSR-7KN	—	1,000 (bag)	*JSSR-8KN	—	500 (bag)
Clamp nut	*JSCN-M12V-K	—	800	*JSCN-M12V-K	—	800	*JSCN-M14V-K	—	600
Receptacle housing	*J1SFSN-06V-K	—	800	*J2SFSN-06V-K	—	700	*J3SFSN-06V-K	—	400
Receptacle contact	SJ1F-01GF-P0.8	M	6,000 (reel)	SJ2F-01GF-P1.0	M	6,000 (reel)	SJ3F-01GF-P1.8	M	3,500 (reel)
							SJ3F-41GF-P1.8	L	3,000 (reel)

RoHS compliance

Note: *Marked products are not approved by UL standard.

JFA CONNECTOR J1700/2700/3700 SERIES (S TYPE)

Model number identification

Receptacle contact

S J1 F - 01 GF - P 08

Form: S...Strip form

Series name: J1...J1000, J2...J2000, J3...J3000

Kind of terminal: F...Receptacle contact

Applicable wire range: 01...AWG #24~#20, 41...AWG #20~#16

Surface finish: GF...Nickel-undercoated, selective gold-plated (0.38 μ m)

Material: P...Copper alloy

Terminal size: 0.8...J1000, 1.0...J2000, 1.8...J3000

Kit

J17S - 06 FMH - 7 K L - M - CF

Series name: J17S...J1700, J27S...J2700, J37S...J3700

Circuits: 6

Part name:

Applicable cable O.D.: 7... ϕ 7, 8... ϕ 8

Color indication: K...Black

Packaging form: L...Tray for kit

Size: M...M type, L...L type

Hexavalent chromium free

Cover assembly

J17S - COA - K R

Series name: J17S...J1700, J27S...J2700, J37S...J3700

Part name:

Color indication: K...Black

Packaging form: R...Tray

Seal ring

JS SR - 7 K N

Series name:

Part name:

Applicable cable O.D.: 7... ϕ 7, 8... ϕ 8

Color indication: K...Black

Material:

Clamp nut

JS CN - M12 V - K

Series name:

Part name:

Screw size: M12...M12 screw, M14...M14 screw

Flammability: V...UL94V-0

Color indication: K...Black

Receptacle housing

J1S F S N - 06 V - K

Series name: J1S...J1700, J2S...J2700, J3S...J3700

Part name:

Rows: S...Single-row

Mounting arrangement: N...Non-locking type

Circuits: 6

Flammability: V...UL94V-0

Color indication: K...Black