

SUBMERSIBLE TRANSMITTERS FOR WATER LEVEL MEASUREMENTS

SERIES 46 W

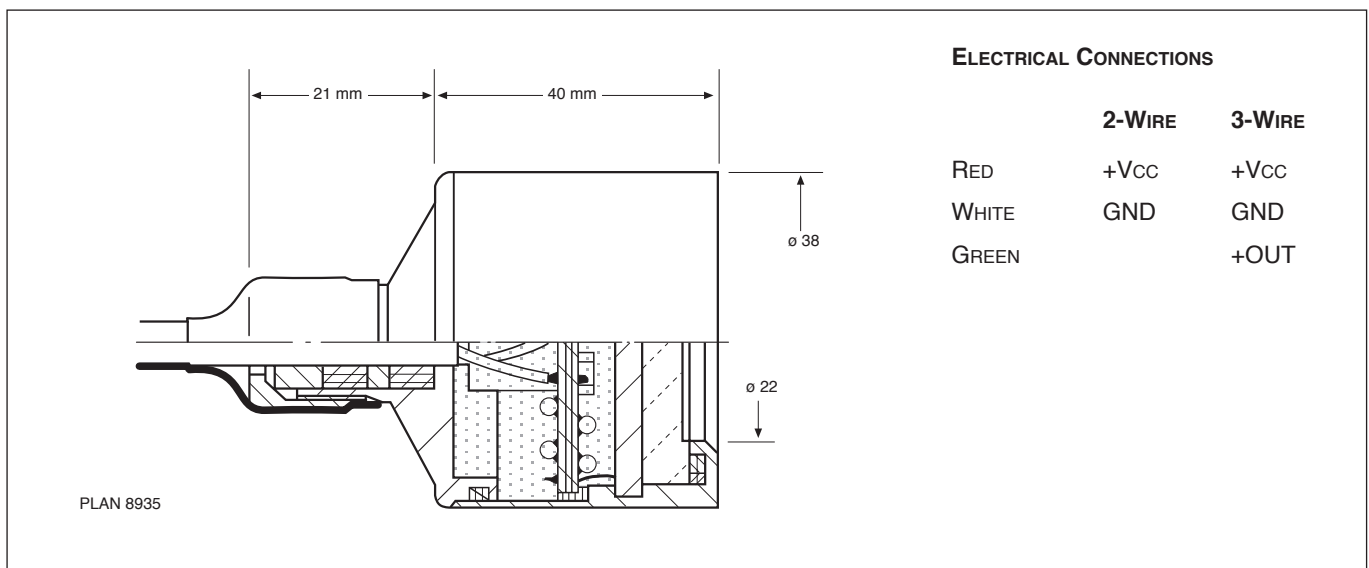
This submersible water level transmitter is notable for its excellent long term stability, rugged build, high accuracy and good linearity. The KAVLICO low pressure capsule measures the pressure generated by the head of water above it very accurately, and is enclosed in a sealed stainless steel housing with the diaphragm protected by a gold layer. A neoprene O-ring seals the sensing diaphragm to the housing. The transmitter circuit is based on the KELLER "Progres" ASIC, and can be reprogrammed by the user before or after installation (programmable version only).

Level transmitters can be subject to internal condensation caused by installations in cold water on warm, humid days. If the reference tube is not terminated in a warm, dry enclosure, KELLER recommends the use of a purpose built cartridge filled with a silica gel which is fitted at the end of the reference tube.



SPECIFICATIONS

Version PR-46 W, Gauge Overpressure	Pressure Ranges (FS) in metres W.G.			
	0,1	0,2	0,5	1 2 4 10
	10 x FS for < 200 mbar, 5 x FS for > 200 mbar			
Type	2-Wire	3-Wire	3-Wire	
Supply	8...28 VDC	8...28 VDC	13...28 VDC	
Signal Output	4...20 mA	0...20 mA	0...10 V	
Load (Ω)	< (U-8V)/0,02A	< (U-5V)/0,02A	> 5K	
Linearity	0,2% FS (option: 0,1% FS)			
Hysteresis and Repeatability	0,03% FS			
Stability	0,1% FS typ.			
Operating Temperature	0...50°C			
- T.C. of Zero	0,015% FS/°C typ.	0,02% FS/°C max.		
- T.C. of Sensitivity	0,01%/°C typ.	0,02%/°C max.		
Cable Type	\varnothing 7,3 mm, polyurethane, integrated reference tube			
Cable Length	5 metres standard			
Materials Contact with Media	- Housing: Stainless steel (type AISI 316L) - Diaphragm: Ceramic, gold plated - Neoprene O-ring			
Weight	≈ 350 gramme			
Options	Programmable, cable length, silica gel capsule, other pressure ranges			



ELECTRICAL CONNECTIONS

	2-WIRE	3-WIRE
RED	+VCC	+VCC
WHITE	GND	GND
GREEN		+OUT

Subject to alterations

4/99