

RML SERIES RACK-MOUNT AIR-COOLED AIR CONDITIONERS

TECHNICAL DATA

Model	Normally In Stock	UL/CUL Listed or Recognized	BTU/H Rating	95/95 Rating	Ambient Temp.				Volts	Hz	** Running Amps	Approx. Weight	
					°F Max.	°F Min.	°C Max.	°C Min.				lbs	kg
KA4C5RML	Yes	Listed	5000	4400	120*	0	49	-18	115/100	60/50	15/14.5	97	44
K2A4C5RML	Yes	Listed	5000	4150/4030	120*	0	49	-18	230	60/50	7.8/6.8	97	44

* Maximum ambient temperature is shown for Option 1 evaporator airflow. For other options maximum ambient temperature is 115°F.
 ** Rating shown is for operation at maximum ambient temperature.



STANDARD FEATURES

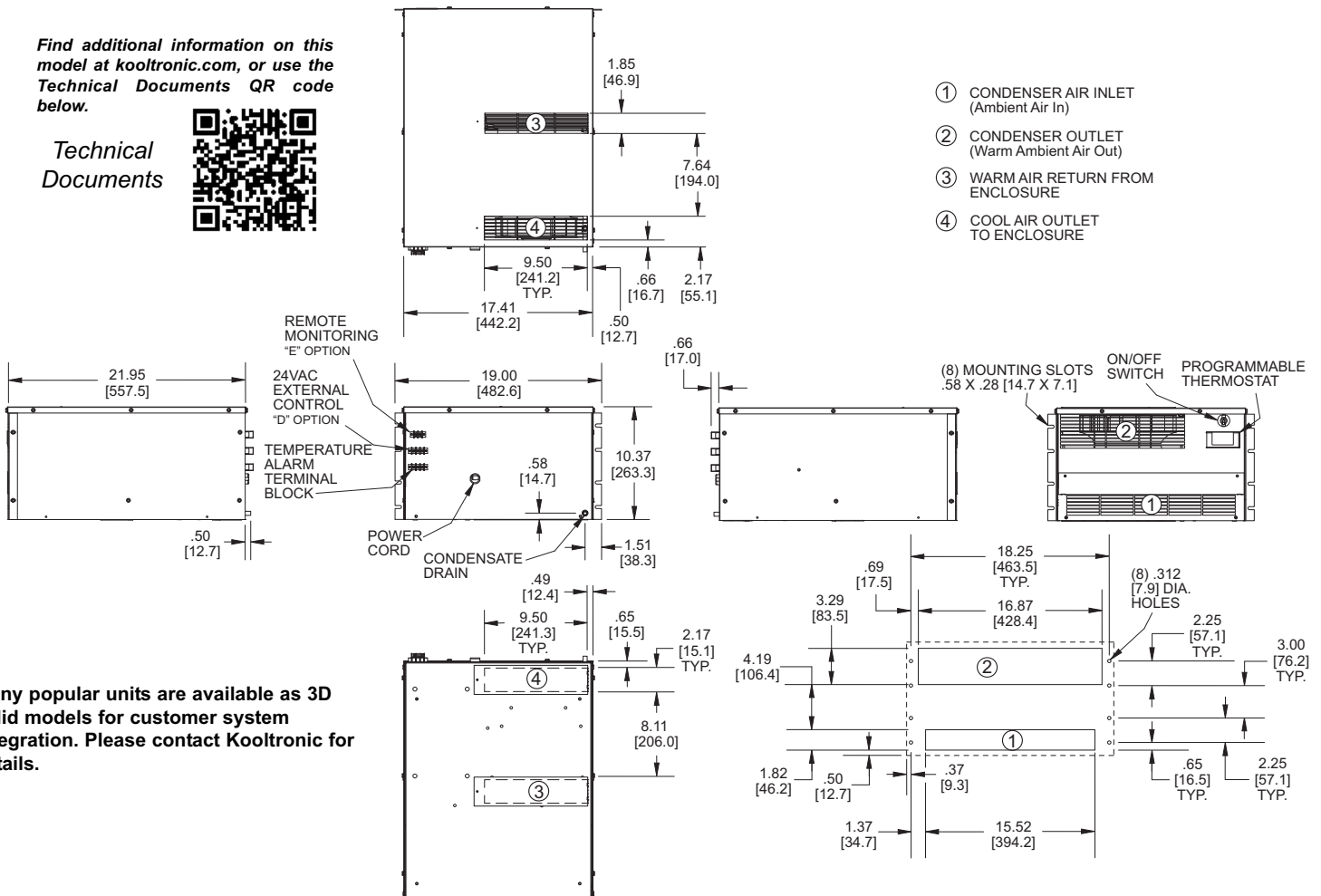
- Baked Powder Finish
- Closed-Loop Cooling
- Compressor Short Cycle Protector
- CFC-Free Refrigerant
- Condenser Airflow at Front of Unit
- Customized airflow with supplied baffle plates
- EIA-notched flanges
- Filter
- Heavy-duty Steel Shell
- Ideal for inconspicuous internal mounting
- Programmable Temperature Alarm
- Programmable Thermostat
- Six-Foot [1.8m] (minimum) 3-Wire Power Cord
- UL/CUL Listed

ACCESSORIES AND OPTIONS

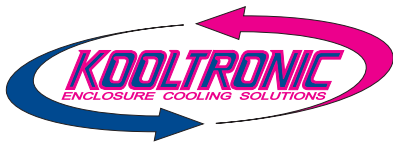
- Enclosure Heater
- Filter Recoating Adhesive
- Internal Corrosion Protection
- Lead-Lag Controller
- Remote Monitoring
- Remote Thermostat Relay
- Replacement Filters
- Special materials or finishes
- Special motors, line cords or connectors
- Stainless Steel or Aluminum Shell

Find additional information on this model at kooltronic.com, or use the Technical Documents QR code below.

Technical Documents



Many popular units are available as 3D solid models for customer system integration. Please contact Kooltronic for details.

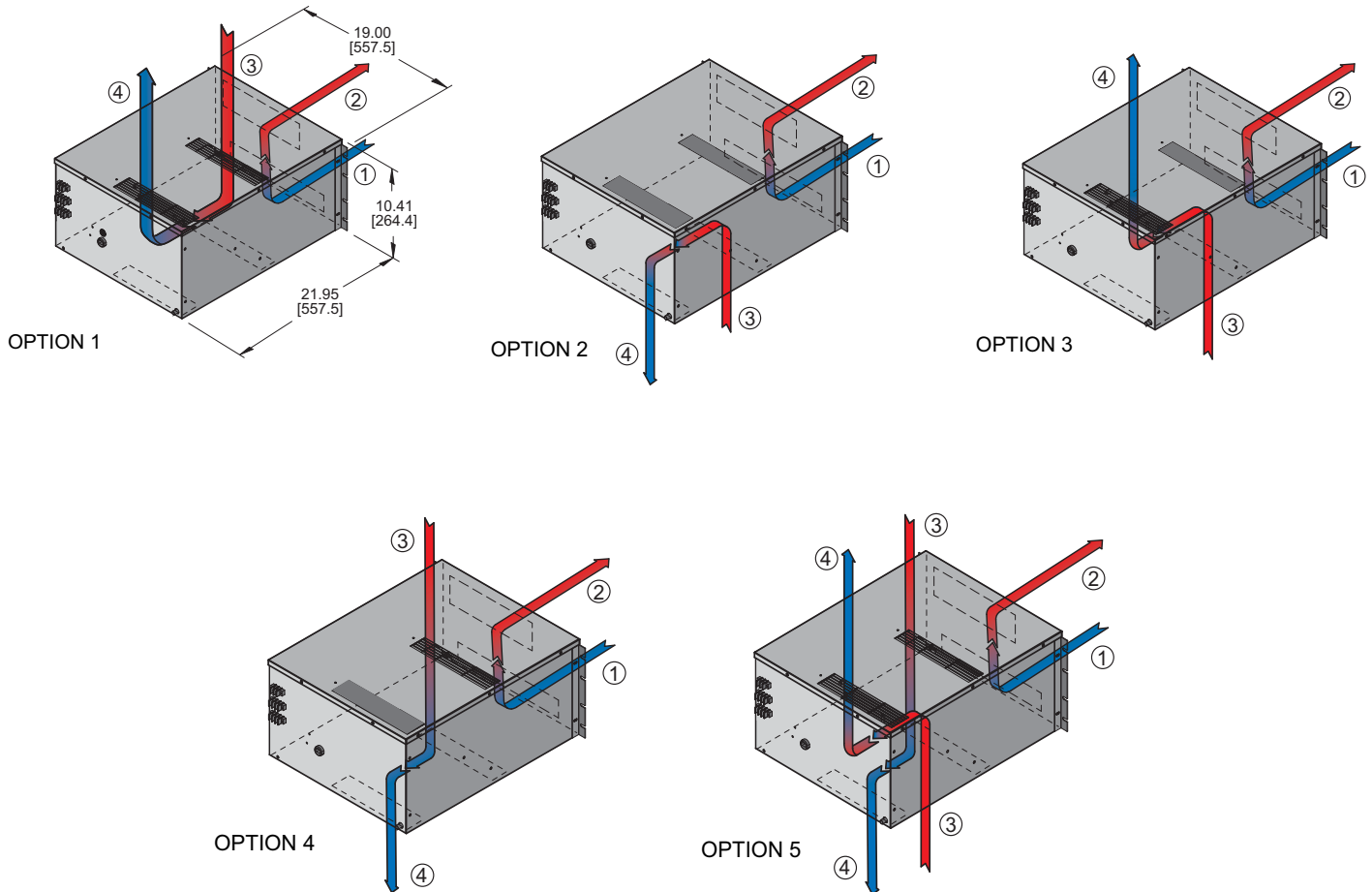


RML SERIES RACK-MOUNT AIR-COOLED AIR CONDITIONERS

AIRFLOW AND DIMENSIONS

Dimensions, inches [mm], are for reference only and are subject to change.

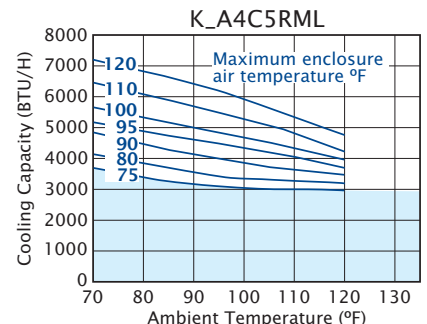
The RML Series offers a choice of up to five evaporator airflow patterns, allowing installation in any location within a data rack. Using supplied baffle plates the RML can easily be configured for a variety of applications. In addition, the RML features a unique condenser airflow design with both intake and outlet at the front of the unit. The RML is the only air conditioner on the market with this same-side condenser airflow configuration. This design gives greater flexibility when locating the unit within an enclosure, frees up additional space and requires only one cutout on the enclosure.



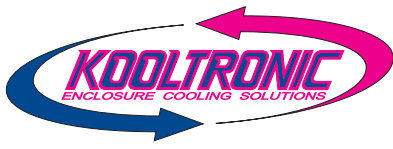
Dimensions, inches [mm], are for reference only and subject to change.

- ① FILTERED CONDENSER AIR INLET (Ambient Air In)
- ② CONDENSER OUTLET (Warm Ambient Air Out) 2.25 x 3.38 [57.2 x 85.9] each
- ③ WARM AIR RETURN FROM ENCLOSURE 2.00 x 15.00 [50.8 x 381.0]
- ④ COOL AIR OUTLET TO ENCLOSURE 2.00 x 4.50 [50.8 x 114.3] each

PERFORMANCE



Operation within shaded area not recommended.



RML SERIES RACK-MOUNT AIR-COOLED AIR CONDITIONERS

DESCRIPTION

The **RML Series** Rack-Mounted Air Conditioners are designed specifically for cooling electronic enclosures, and boast an innovative design concept allowing installation in any location within a data rack while keeping electronics cool. The key to this flexibility is the evaporator airflow pattern. The **RML Series** Air Conditioners feature two evaporator air inlets and two outlets on the top and bottom of the unit. By using supplied baffle plates, the air conditioners can easily be configured for a variety of applications, with the choice of up to five airflow pattern options. In addition to airflow variety, the **RML Series** features condenser airflow at the front of the unit. This unique design eliminates the need for duct work, freeing up more space in the electronics cabinet. It also allows greater flexibility when locating a unit within an enclosure, and requires only one cutout on the enclosure.

Rated at 5,000 BTU/H and available in 115 or 230 VAC, these air conditioners are an excellent choice for Data Centers, Communications and Telecom applications. The **RML Series** is UL Listed and offers a wide variety of options, including a Temperature Alarm, Internal Corrosion Protection and Stainless or Aluminum Shell.

FEATURES AND BENEFITS (STANDARD)

All models UL/CUL Listed, a standard of safety.

CFC-free refrigerant provides a zero ozone depletion potential.

Closed-loop cooling provides stable temperature control while excluding dust and humidity from the electrical enclosure.

Compressor short-cycling protection extends compressor life.

Customized airflow with supplied baffle plates.

Insulation of cold components, lines and evaporator compartment ensures maximum efficiency.

Programmable thermostat capable of remote monitoring and control is available.

Programmable temperature alarm to alert if early action required.

NEMA 12 rating for compatibility with listed electrical enclosures.

* May not be adequate in extremely high humidity with open or leaky enclosure. Overflow condensate drain fitting and hose are included.

FEATURES AND BENEFITS (OPTIONAL)*

Enclosure heater eliminates damaging condensation, increasing reliability of electrical enclosure components.

Lead-lag control for two air conditioners provides for capacity control, and alternates usage, increasing reliability.

Mounting adapter plates are offered to replace another manufacturer's unit.

Remote Monitoring provides temperature data for warning of early action required.

Remote thermostat relay for control by a user-supplied control system.

Special paint finishes*

*Contact KOOLTRONIC for more information.

REPLACEMENT FILTERS

The filter part number for the RML Series is 8752F. (16.59" x 8.34" x 0.38" [421mm x 212mm x 10mm])