



GUARDIAN/GUARDIANX DP50 NEMA 4 or 4X AIR CONDITIONERS

Model	NEMA Rating	UL/CUL Listed or Recognized	BTU/H Rating	95/95 Rating	Ambient Temp.				Volts	Hz	* Running Amps	Weight	
					°F		°C					lbs	kg
					Max.	Min.	Max.	Min.					
K2NA6C14DP50L	4	Listed	14000	13000	131	-20	55	-29	230 [▲]	60	13.5	207	94
K2NA6C14DP50L	4	Listed	13100	11700	131	-20	55	-29	220	50	12.5	207	94
K2NA6C14DP50LV	4X	Listed	14000	13000	131	-20	55	-29	230 [▲]	60	13.5	207	94
K2NA6C14DP50LV	4X	Listed	13100	11700	131	-20	55	-29	220	50	12.5	207	94

* Rating shown is for operation at maximum ambient temperature.
[▲] Unit is also available in 208 Volt. Contact Kooltronic for information.

STANDARD FEATURES

- Baked Powder Finish (NEMA 4 models)
- Closed-Loop Cooling
- Condenser Blower Controller
- Epoxy-Coated Condenser Coils
- Filters (2)
- Heavy-duty Steel Shell
- Internal Corrosion Protection (NEMA 4X models)
- Low Temperature Control Thermostat
- NEMA 4 or 4X Rating Maintained (UL50)
- Six-Foot [1.8m] (minimum) 3-Wire Power Cord
- Stainless Steel Shell (NEMA 4X models)
- UL/CUL Listed
- Zero ODP Refrigerant

ACCESSORIES AND OPTIONS

- Compressor Short Cycle Protector
- Enclosure Heater
- Filter Recoating Adhesive
- Lead-Lag Controller
- Remote Thermostat Relay
- Replacement Filters
- Special materials or finishes
- Special motors, line cords or connectors
- Temperature Alarm



NEMA TYPE 4 OR 4X MAINTAINED



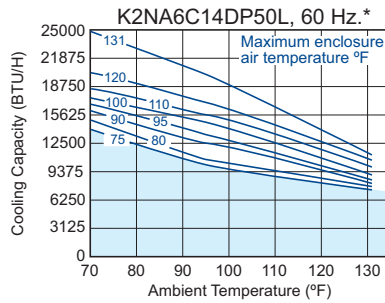
Find additional information on this model at kooltronic.com, or use the Technical Documents QR code below.

Technical Documents

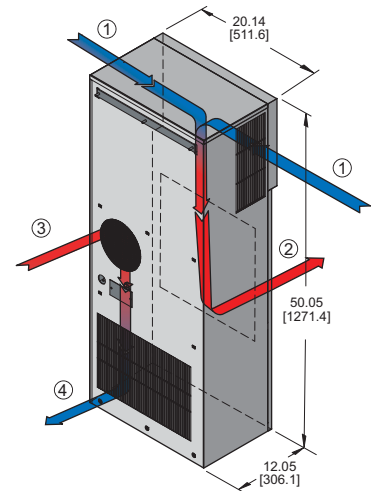


- ① CONDENSER AIR INLET (Ambient Air In)
- ② CONDENSER OUTLET (Warm Ambient Air Out)
- ③ WARM AIR RETURN FROM ENCLOSURE
- ④ COOL AIR OUTLET TO ENCLOSURE

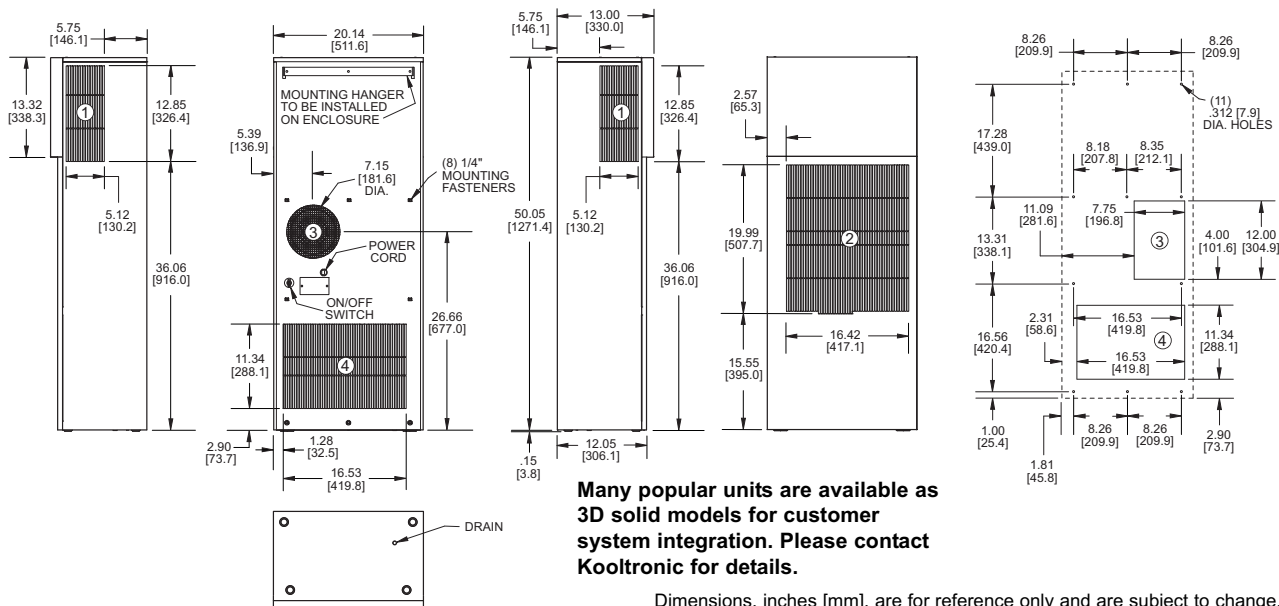
PERFORMANCE



Operation within shaded area not recommended.
 * Operation at 50Hz will be 10% less.



DRAWINGS



Many popular units are available as 3D solid models for customer system integration. Please contact Kooltronic for details.

Dimensions, inches [mm], are for reference only and are subject to change.

nema dp50l.qxd 1/21/16



GUARDIAN/GUARDIANX DP50 NEMA 4 or 4X AIR CONDITIONERS

DESCRIPTION

The **Guardian/GuardianX** Indoor/Outdoor Air Conditioners are designed specifically for **NEMA 4** and **4X** enclosure applications that require washdown or are subject to outdoor storm conditions. All **Guardian** models have a **NEMA 4** Rating, offering protection against the hazards of unwanted environmental penetration. The **GuardianX**, with the **NEMA 4X** Rating, is offered with a Stainless Steel Shell and Internal Corrosion Protection.

These DP50 **Guardian/GuardianX** models use R410A Refrigerant, an HFC having zero ozone depleting potential. With Epoxy-coated condenser coils and a closed-loop cooling system, the **Guardian** offers added security by providing an operating environment safe from harsh ambient conditions.

The features engineered into all of the **Guardian Series** models make them a tamper-resistant choice for external applications. Combined with a NEMA 4 Rating, with all models UL/CUL Listed, the **Guardian Series** is an excellent choice for telecommunications or other outdoor cabinet applications.

STANDARD FEATURES

CLOSED-LOOP COOLING: The enclosure interior airflow system is isolated from the ambient airflow system. Ambient air can not invade the cool, dehumidified sensitive component compartment.

CONDENSER BLOWER CONTROLLER: A thermostatic temperature sensor installed in the refrigerant liquid line, controlling the condenser fan.

EPOXY-COATED CONDENSER COILS: Condenser Coils in the **Guardian Series** models are Epoxy-Coated. This coating will withstand 1000 hours of salt spray per the ASTM B 117 test method. **NOTE:** Severe operational environments such as waste water treatment and salt spray are likely to cause corrosion failure over a period of time regardless of coating. **Warranty:** Corrosive conditions may effect the warranty coverage. Consult factory for warranty limitations in corrosive environments.

GASKETING: All units are fully gasketed for tight, leakproof installation, in compliance with the NEMA 4 Enclosure Rating.

HEAVY-DUTY STEEL SHELL: Precision-engineered heavy gauge steel construction of all shells and blowers insures Air Conditioners will stand up under tough applications.

INSULATION: All cold components, lines and the evaporator compartment are insulated with high-performance insulation for maximum efficiency.

LOW TEMPERATURE CONTROL THERMOSTAT: Thermostatic Low Temperature Control prevents over-cooling and provides energy-efficient operation.

POWER: Available in 230 VAC, 60/50 Hz.

POWER CORD: All models have six foot [1.8m] 3-wire power cord.

QUALITY ASSURANCE: Refrigeration system components are kept sealed until charged with refrigerant; all brazed joints are thoroughly leak-tested; each unit is functionally tested before shipment.

REFRIGERANT: R410A, an HFC Refrigerant having zero ozone depleting potential, is used in the **Guardian Series DP50L** Air Conditioners.

BAKED POWDER FINISH: Durable, baked-on powder finish is standard. Other finishes are available.

UL/CUL LISTED: The **Guardian/GuardianX DP50L** is UL/CUL Listed.

ACCESSORIES AND OPTIONS*

COMPRESSOR SHORT CYCLE PROTECTOR: Protects the compressor from possible damage due to harmful short cycling.

ENCLOSURE HEATER: 120V or 240V fin strip heater, installed singly or ganged, used to maintain desired internal enclosure temperature, under cold operating conditions.

FILTER RECOATING ADHESIVE: This compound is a superior product for recoating filters after washing. The adhesives penetrate dirt layers to keep the filter surface tacky for longer effective performance between washings.

INTERNAL CORROSION PROTECTION: An air cured coating is sprayed on copper lines and brazed joints on the condenser side, providing a degree of protection from corrosive environments. This coating will withstand 1000 hours of salt spray per the ASTM B 117 test method. Also see Stainless Steel Cabinet or Integrity NEMA 4/4X Air Conditioners. **NOTE:** Severe operational environments such as waste water treatment and salt spray are likely to cause corrosion failure over a period of time regardless of coating. **Warranty:** Corrosive conditions may effect the warranty coverage. Consult factory for warranty limitations in corrosive environments. **NOTE:** For additional corrosion protection options, contact factory. Internal Corrosion Protection and Stainless Steel Shell are necessary in order to maintain **NEMA 4X** Rating for **GuardianX DP50**.

REPLACEMENT FILTER: Filter consisting of a multi-layer grid of sturdy corrugated aluminum, securely held in a one-piece aluminum frame. The DP50L filter Part No. is 13658F (13.63" x 5.88" x 0.34" [346.2mm x 149.3mm x 8.6mm]). The **Guardian Series DP50L** uses two filters.

STAINLESS STEEL SHELL: For applications in corrosive or other hostile environments where chemical/moisture combinations are present. Stainless Steel Shell and Internal Corrosion Protection are necessary in order to maintain **NEMA 4X** Rating for **GuardianX DP50**.

TEMPERATURE ALARM: A thermostat is mounted inside the cabinet and attached to a sensor in the warm air return. When the air temperature increases to the set point, a signal is sent to a terminal block. User-installed wiring from the terminal block to local and/or remote warning devices (*light, bell, siren, etc.*) can be for normally open or closed operation.

Other voltages and frequencies*

Special materials or finishes*

Special motors, line cords or connectors*

*Contact KOOLTRONIC for more information.