

SLIMKOOL SERIES SP36 480 VOLT 3-PHASE NEMA 4 or 4X AIR CONDITIONERS

Model	Nema Rating	BTU/H Rating	95/95 Rating	Ambient Temp.				Volts	Hz	* Running Amps 131°F/131°F	Approx. Weight	
				°F Max.	°F Min.	°C Max.	°C Min.				Lbs.	Kg.
K3NA4C6SP36L	4	6000	5400	131	-20	55	-29	480	60	2.2	110	50
K3NA4C6SP36LV	4X	6000	5400	131	-20	55	-29	480	60	2.2	110	50
K3NA4C8SP36L	4	8000	7500	131	-20	55	-29	480	60	2.7	110	50
K3NA4C8SP36LV	4X	8000	7500	131	-20	55	-29	480	60	2.7	110	50

* Rating is shown for operation at maximum ambient temperature.



STANDARD FEATURES

- Built-in Condensate Evaporator
- CFC-Free Refrigerant
- Closed-Loop Cooling
- Compact Design/Slim Mounting Footprints
- Compressor Short Cycling Protection
- Condenser Impeller Cycling Control
- Epoxy-Coated Evaporator and Condenser Coils
- Filter
- Heavy-duty Galvanized Steel Shell with ANSI 61 Gray Polyester Powder Coating
- Internal Corrosion Protection
- NEMA 12, 3R & 4 Ratings Maintained (UL50)
- Phase Sequence/Phase Loss Detector/Under Voltage Monitor
- Programmable Temperature Alarm
- Programmable Thermostat
- Stainless Steel Shell (NEMA 4X Models)
- UL/CUL Listed

ACCESSORIES AND OPTIONS

- Enclosure Heater
- Filter Recoating Adhesive
- Lead-Lag Controller
- Mounting Adapter Plates
- Remote Monitoring
- Remote Thermostat Relay
- Replacement Filters

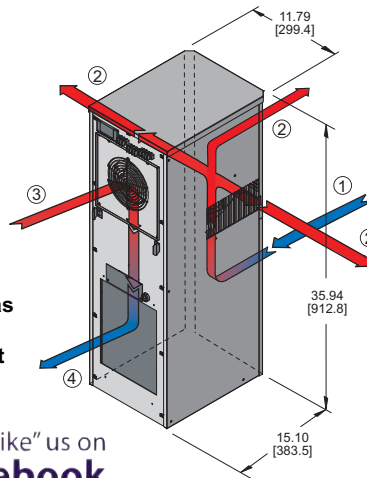


NEMA TYPE 12, 3R AND 4 MAINTAINED (4X OPTIONAL)

Find additional information on this model at kooltronic.com, or use the Technical Documents QR code below.

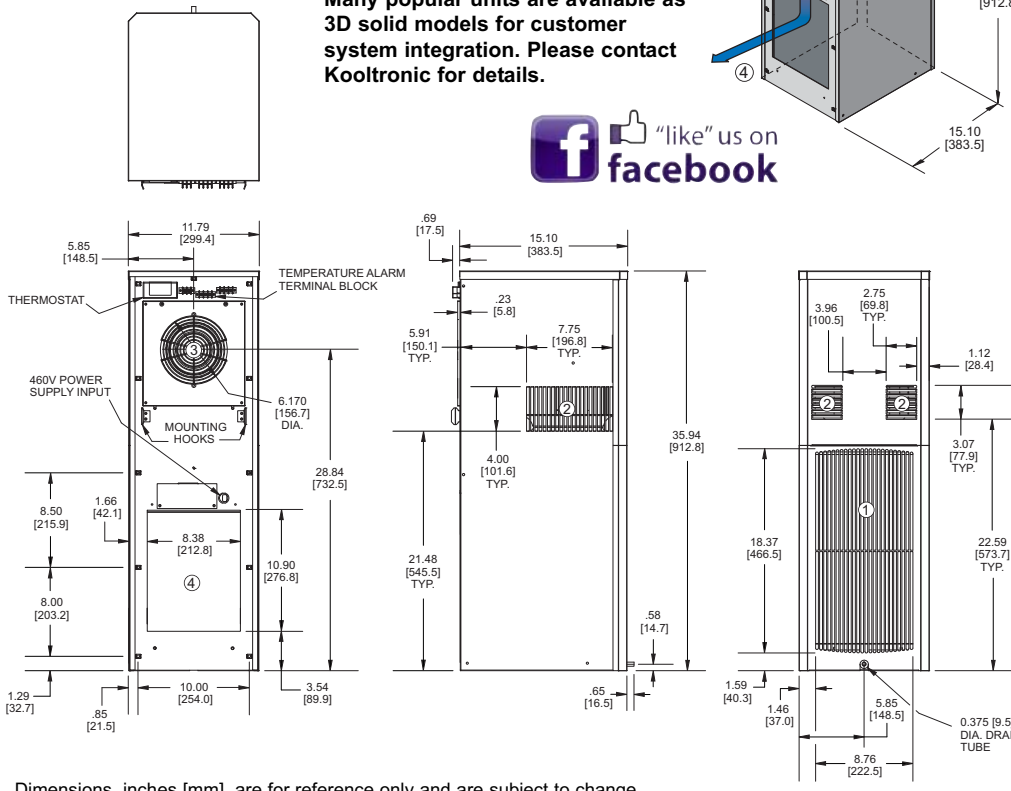


Technical Documents

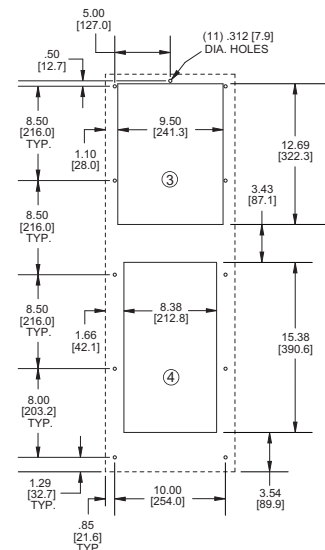


- CONDENSER AIR INLET (Ambient Air In)
- CONDENSER OUTLET (Warm Ambient Air Out)
- WARM AIR RETURN FROM ENCLOSURE
- COOL AIR OUTLET TO ENCLOSURE

Many popular units are available as 3D solid models for customer system integration. Please contact Kooltronic for details.

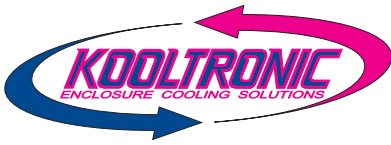


MOUNTING PLAN



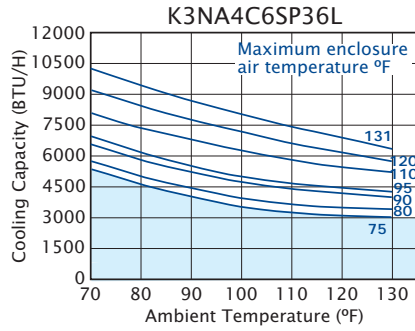
Dimensions, inches [mm], are for reference only and are subject to change.

sp36/lv.qxd 11/22/16



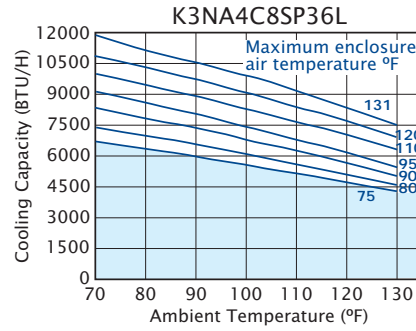
SLIMKOOL SERIES SP36 480 VOLT 3-PHASE NEMA 4 or 4X AIR CONDITIONERS

PERFORMANCE



Operation within shaded area not recommended.

PERFORMANCE



Operation within shaded area not recommended.

DESCRIPTION

The **SlimKool Series 480 Volt** Indoor/Outdoor Air Conditioners can be mounted on the exterior of shallow electrical enclosures common in the industry today. The Kooltronic **SlimKool Series 480 Volt** consists of compact models with a standard width of 11.79 inches, and a standard depth of 15.1 inches. These models offer capacities of 6000 and 8000 BTU/H, and can operate in ambient temperatures between -20 and 131°F .

With epoxy-coated evaporator and condenser coils , the closed-loop cooling system of the **SlimKool Series** offers added security by providing an operating environment safe from harsh ambient conditions.

The **SlimKool Series 480 Volt** models are equipped with a programmable thermostat, allowing more accurate and versatile performance features, giving the **SlimKool Series** an edge over competitor's models.

The **SlimKool Series 480 Volt** models are constructed of 18 gauge (or heavier) galvanized steel, and painted with a polyester powder coating. These models are rated NEMA 12, 3R and 4. NEMA 4X protection is offered with a stainless steel shell.

FEATURES AND BENEFITS (STANDARD)

All models UL/CUL Listed, a standard of safety.

Built-in condensate evaporator eliminates the need for a drain (normal operation*).

CFC-free refrigerant provides a zero ozone depletion potential.

Closed-loop cooling provides stable temperature control while excluding dust and humidity from the electrical enclosure.

Narrow design allows mounting on lower cost, shallow enclosures.

Compressor short-cycling protection extends compressor life.

Condenser impeller cycling provides stable capacity and temperature control.

Condenser filtration to maintain peak thermal performance extends compressor life.

Programmable thermostat capable of remote monitoring and control.

Programmable temperature alarm to alert if early action is required.

Internal corrosion protection to increase reliability in hostile environments.

NEMA 12, 3R & 4 ratings for compatibility with listed electrical enclosures.

Stainless steel shell for NEMA 4X corrosive environments.

Both evaporator and condenser coils are epoxy coated, prolonging unit life.

* May not be adequate in extremely high humidity with open or leaky enclosure. Overflow condensate drain fitting and hose are included.

FEATURES AND BENEFITS (OPTIONAL)*

Enclosure heater eliminates damaging condensation, increasing reliability of electrical enclosure components.

Lead-lag control for two air conditioners provides for capacity control, and alternates usage, increasing reliability.

Mounting adapter plates are offered to replace another manufacturer's unit.

Remote monitoring provides temperature data for warning of early action required.

Remote thermostat relay for control by a user-supplied control system.

Special paint finishes*

*Contact KOOLTRONIC for more information.

REPLACEMENT FILTERS

The SP36L 480 Volt Filter Part No. is 9502F (9.50" x 18.50" x 0.50" [241.3mm x 469.9mm x 12.7mm]).