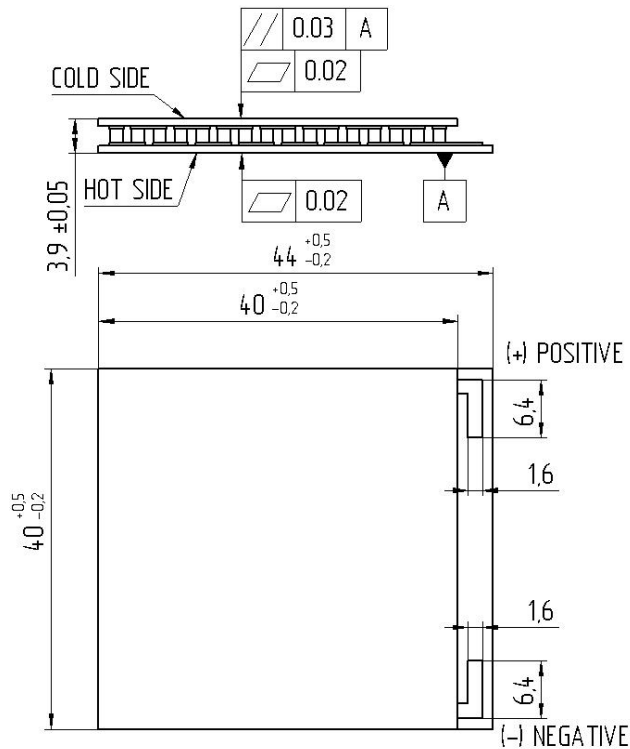
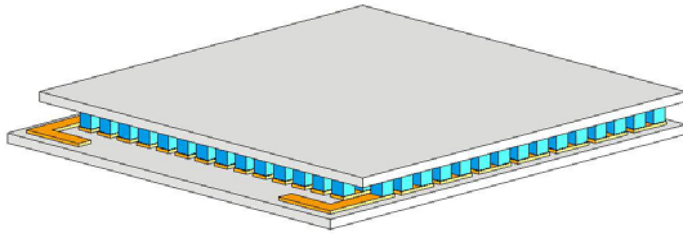


SPECIFICATION OF THERMOELECTRIC MODULE Frost-71


Thermoelectrical parameters	Unit	Value
I_{max}	Amps	6.1
U_{max}	Volts	16.1
ΔT_{max}	K	71
Q_{max}	Watts	61.0
R_{ac} (at 295 K)	Ohm	2.05
Tolerance	%	±10
<i>All parameters except R_{ac} are given at Th=300 K</i>		

Assembly parameters	Unit	Value
Wires		HB-0.35 4 600
Cross section	mm²	0.35
Metallization		Not
Sealing		Not
Internal solder	°C	139
Brazing solder	°C	not

Operational parameters	Unit	Value
Working temperature range	°C	-50 ÷ +80
Max. processing temperature	°C	130
ROHS compliance		YES

