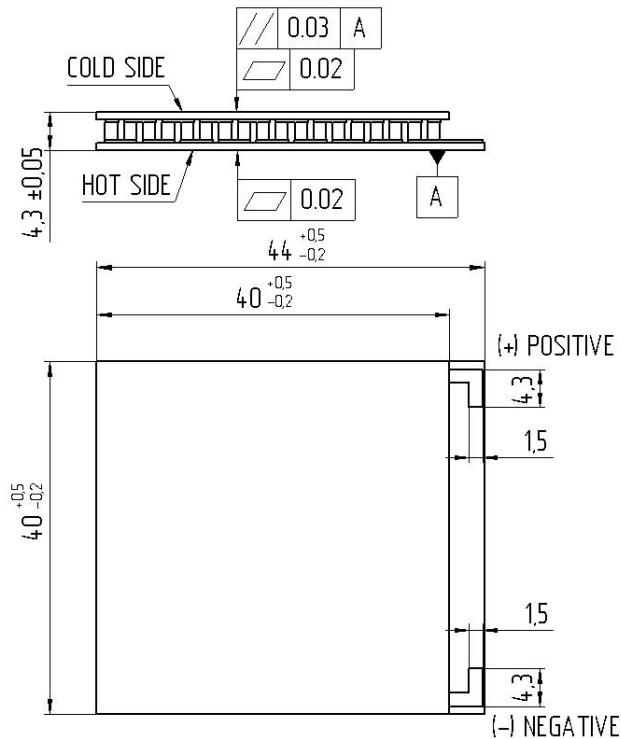
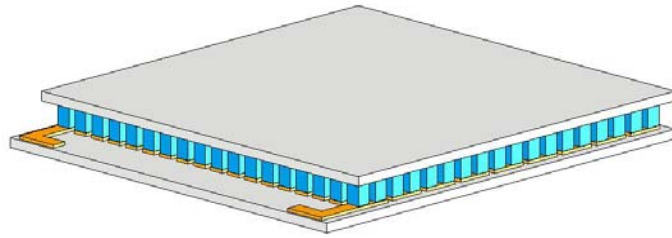


SPECIFICATION OF THERMOELECTRIC MODULE GLACIER-2.0


Thermoelectrical parameters	Unit	Value
I_{max}	Amps	4.6
U_{max}	Volts	20.1
ΔT_{max}	K	72
Q_{max}	Watts	57.0
R_{ac} (at 295 K)	Ohm	3.3
Tolerance	%	±10

All parameters except R_{ac} are given at Th=300 K

Assembly parameters	Unit	Value
Wires	HB-0.35 4 600	
Cross section	mm ²	0.35
Metallization	Not	
Sealing	Not	
Internal solder	°C	139
Brazing solder	°C	not

Operational parameters	Unit	Value
Working temperature range	°C	-50 ÷ +80
Max. processing temperature	°C	130
ROHS compliance		YES

