

# Accessories

## Other accessories Details

### Dimensions / Details

#### Terminal cover type KA 37

for counter H 37



*description:*

2-pcs. per counter required



*suitable for:*

H 37

transparent

*Order-No.*

**T051687**

#### Base mount socket

for H 57 / AH 57 counters



*description:*

for DIN rail mount

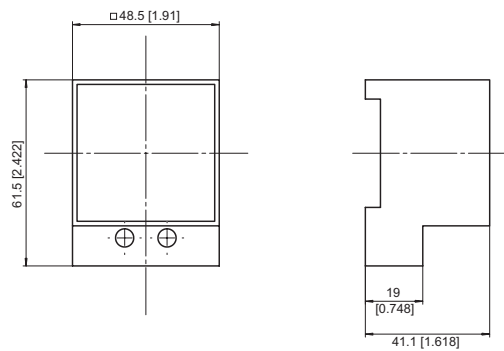
*suitable for:*

H 57

black

*Order-No.*

**G008040**



#### Mounting support

for HR 76.2, HR 47



*description:*

for mounting the counter onto a flat plate

*suitable for:*

HR 76.2, HR 47

black

*Order-No.*

**N510199**

