

**LASOS®** **DPSS laser series**

Directly frequency-doubled solid-state laser  
8, 40 or 80 mW at 473 nm, fiber coupled



**BLK 73XX FS**

- Single frequency
- Outstanding long term stability
- Excellent beam quality
- Reliable and robust
- Maintenance free
- Compact design
- Suitable for OEM applications
- Customization on request



## Directly frequency-doubled solid-state laser

### Specifications BLK F series:

#### LASOS® DPSS laser series

The LASOS® DPSS laser series provide excellent beam quality in a variety of wavelengths based on the latest progress in solid state laser technology.

The LASOS® DPSS laser series offers a reliable and compact single frequency laser source in the VIS.

The LASOS® DPSS laser series provide the ideal products for applications in:

- Spectroscopy
- Interferometry
- Confocal and fluorescence microscopy
- Bioanalytical research
- Particle measurements
- Metrology
- Industrial measurements
- Medical
- Science and education

Customized solutions for specific applications are possible

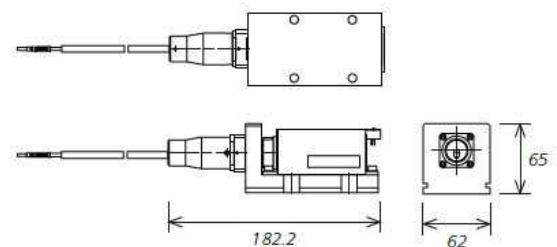
|                                    |                              |
|------------------------------------|------------------------------|
| Wavelength                         | 473 nm ± 0.5 nm              |
| Wavelength stability (8 h)         | ±0.002 nm                    |
| Spectral Linewidth <sup>1</sup>    | < 1 MHz                      |
| Output power ex fiber <sup>2</sup> | 8, 40 or 80 mW               |
| Output power stability within 8 h  | < ±1.0 %                     |
| Noise 30 Hz ... 10 MHz             | ≤ 0.5 % rms                  |
| Warm up period                     | < 10 min                     |
| Polarization ratio                 | ≥ 100:1                      |
| Controller                         | CKL 2440, CKL 2405, CKL 1005 |

<sup>1</sup>Allan Deviation for sample period < 0.5 s

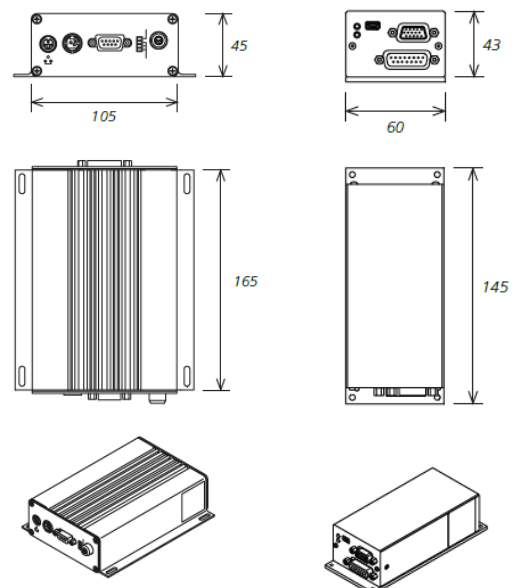
<sup>2</sup>coupling efficiency: typ. 70-80%

Options on request

Dimensions [mm]:  
Laser Head



Controller  
(CKL 2440/CKL 2405/CKL 1005)



# LASOS

For worldwide photonics

LASOS Lasertechnik GmbH  
Franz-Loewen-Str. 2  
07745 Jena  
Germany

Phone: +49 (0) 3641 2944 – 0  
Fax: +49 (0) 3641 2944 – 300  
sales@lasos.com

[www.lasos.com](http://www.lasos.com)