

## LASOS

For worldwide photonics

LASOS Lasertechnik GmbH  
Franz-Loewen-Str. 2, 07745 Jena  
Germany

Phone: +49 3641 2944 0  
Fax: +49 3641 2944 300  
info@lasos.com

[www.lasos.com](http://www.lasos.com)



### Europe

#### Benelux

Te Lintelo Systems BV  
Phone: +31 316 340804  
Fax: +31 316 340805  
sales@tlsbv.nl  
www.tlsbv.nl

#### Czech/Slovakia Republic

LAO industrial systems, s.r.o.  
Phone: +42 241 046800  
Fax: +42 241 046850  
info@lao.cz  
www.lao.cz

#### Estonia / Latvia / Lithuania

UAB Altechna  
Phone: +370 5 2725738  
Fax: +370 5 2723704  
instruments@altechna.com  
www.instruments.altechna.com

#### France

ACAL BFI France SAS  
Phone: +33 1 60795900  
Fax: +33 1 60798901  
info.fr@bfiophtilas.com  
www.bfiophtilas.com

#### Italy

Laser Optronik Srl  
Phone: +39 2 574651  
Fax: +39 2 57410127  
lop@laseroptronik.it  
www.laseroptronik.it

#### Poland

Lambda System  
Phone: +48 22 622 20 14  
Fax: +48 22 622 20 14  
office@lambdasystem.pl  
www.lambdasystem.pl

### Russia

NANOINTEK Ltd.  
Tel.: +7 495 332 00 39  
Fax: +7 495 332 06 20  
info@nanointek.com  
www.nanointek.ru

### Spain

ACAL BFI Iberia  
Phone: +34 91 453 11 60  
Fax: +34 91 662 68 37  
Mobile: +34 649 446 739  
eva.plana@acalbfi.es  
www.acalbfi.es

### Sweden/Norway/ Denmark/Finland

Optonyx AB  
Phone: +46 855 111410  
Fax: +46 855 111415  
info@optonyx.com  
www.optonyx.com

### United Kingdom/Ireland

Lambda Photometrics Limited  
Phone: +44 1582 764334  
Fax: +44 1 582 712084  
contact@lambdaphoto.co.uk  
www.lambdaphoto.co.uk

### America

#### USA/Canada/Mexico

LASOS US Sales  
Phone: +1 760 305 8265  
us-sales@lasos.com  
www.lasos.com

### Asia

#### China/Hong Kong

Universal (Hong Kong) Technology  
Co., Ltd. Beijing Office  
Phone: +86 10 51690388407  
Fax: +86 10 51690100  
jacky.zhang@universaltechno.cn  
www.universaltechno.cn

#### India

Photonics Marketing Company  
Phone: +91 22 3265 7126  
Fax: +91 22 2566 1863  
info@photonics-marketing.com  
www.lasos.com

#### Japan

Japan Laser Corporation  
Phone: +81 3 52850861  
Fax: +81 3 52850860  
jlc@japanlaser.co.jp  
www.japanlaser.co.jp

#### Korea

DongWoo Optron Co., Ltd.  
Phone: +82 31 7650300  
Fax: +82 31 7650222  
optron@optron.co.kr  
www.optron.co.kr

#### South East Asia

Zugo Photonics Co Ltd.  
Phone: +65 6844 0055  
Fax: +65 6844 0655  
kelvin.ng@zugophotonics.com  
www.zugophotonics.com

#### Taiwan

Tayhwa Technology Co., Ltd.  
Phone: +886 2 23569737  
Fax: +886 2 23569659  
tayhwa@tayhwa.com.tw  
www.tayhwa.com.tw

## LASOS® DPSS laser series

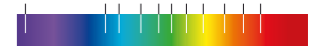


Single frequency diode-pumped  
solid state laser modules





## Single frequency diode-pumped solid-state laser modules



### LASOS® DPSS laser series

The LASOS® DPSS laser series is the best choice when reliability and long lifetime matters. The special optical design and an intelligent power and temperature control guarantee

- Excellent long-term stability
- Low noise
- Exceptional good beam quality
- Long lifetime

These characteristics are ideal for a variety of applications as in DNA sequencing, flow cytometry, digital imaging, analytical chemistry, fast-flow-rate particle measurements or confocal microscopy. Since all laser models emit only a single longitudinal mode they are also an ideal choice for application in Raman- spectroscopy. Housed in compact and robust packages, these lasers are the perfect choice for design in and integration into OEM instrumentation and systems and also for end user applications in research and development. The lasers will be provided as self-contained laser modules, as OEM-component modules or as fully integratable subsystems, with a compact controller as OEM or stand alone version with computer interfacing.

Customized solutions for specific applications are possible. All laser models can be provided with a polarization maintaining, adjustment free fiber coupling.

Model key	DLK▼	BLK▼	GLK▼▼▼				YLK▼▼▼			RLK▼▼	
Wavelength [nm]	320	473	515	532	540	546	552	561	594 <sup>1)</sup>	607	640
Max. output power [mW] <sup>2)</sup>	20	100	50	300	50	50	50	150	20	50	200
Max. beam divergence [mrad]	1	1.1	1.2	1.2	1.2	1.2	1.3	1.3	1.3	1.4	1.4
Beam diameter [mm]	0.7 (0.32 on request)										
Beam ellipticity	0.8...1.2			0.9...1.1				0.9...1.1			
Beam quality M <sup>2</sup> (TEM <sub>00</sub> )	< 1.2						< 1.2				
Power stability (8 h) [%]	< ± 1						< ± 1				
Wavelength stability (8 h) [nm]	< ± 0.002						< ± 0.002				
Pointing stability [μrad/K]	< 6						< 6				
Line width [MHz] <sup>3)</sup>	< 1						< 1				
RMS noise (30 Hz-10 MHz) [%]	< 2		< 0.5				< 2				
Polarization ratio (vertical)	> 200:1						> 200:1				
Warm up time [min]	< 10						< 10				

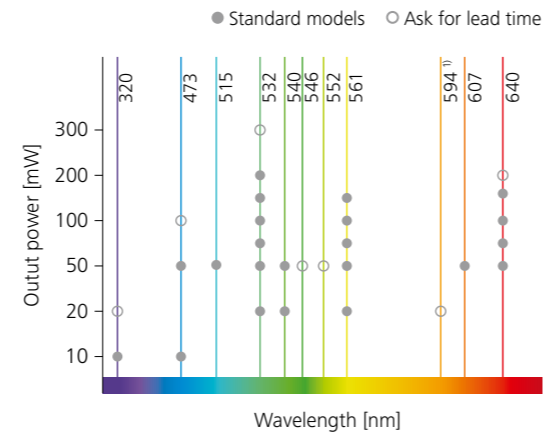
#### For enquiries specify:

Model key Wavelength (last two digits) Output power (mW) TS  
 (Example for GLK 532 nm with 50 mW output power: GLK 3250 TS)

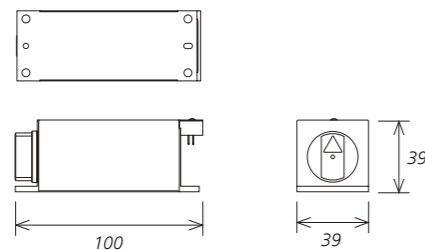
<sup>1)</sup> Longitudinal multimode operation

<sup>2)</sup> Output power available for different wavelengths (see figure to the right)

<sup>3)</sup> Allan Deviation for sample period < 0.5 s

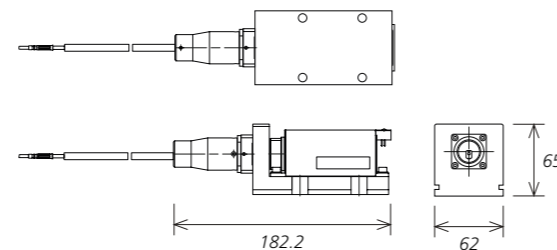


Dimensions laser head [mm]:



The laser head is available with shutter for stand alone application and without shutter as OEM version.

Dimensions laser head fiber coupled [mm]:



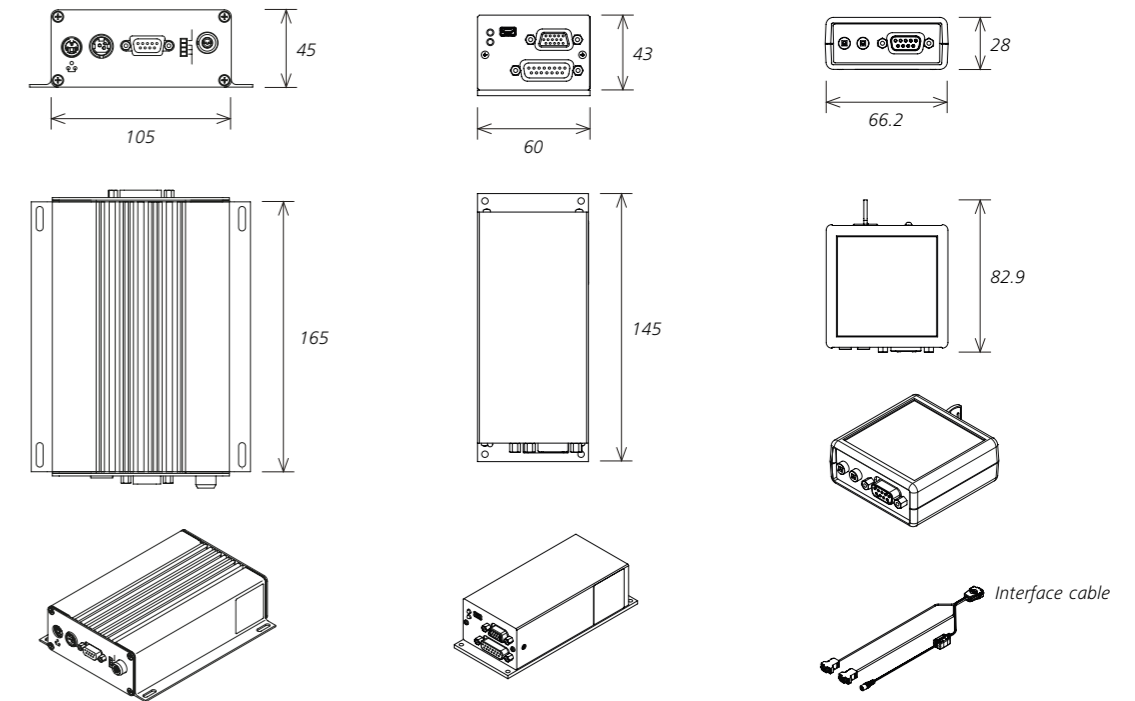
Option:

- Fiber coupling single mode, polarization maintaining or multi-mode
- Coupling efficiency > 70%
- For details refer to the LASOS Fiber series catalogue

### Controller

	CKL 2400 / 2405 / 2440	CKL 1000 / 1005	CKL 1000 / 1005 with stand alone kit
Interface	RS232	USB 2.0	USB 2.0 and RS232
Options	CDRH and OEM versions	OEM versions	CDRH compliant
	Available as PCB in eurocard size		Switch Box, cable and power supply
Operating voltage	12 or 24 VDC	12 or 24 VDC	12 or 24 VDC
Controller cable length	1 or 2 m	1 or 2 m	1 or 2 m
Operating current (at 24 V input voltage):			
Typical	< 0.6 A	< 0.6 A	< 0.6 A
Maximum	2 A	2 A	2 A

Dimensions [mm]:



### Optional accessory

	Power supply 24 V / 3 A	Heat sink LHA 2400
Operating voltage	100-240 VAC	24 VDC
Operating current	1.5 A	84 mA
Remark	Part of CKL 1000 / 1005 with stand alone kit	Recommended for all laser heads
	Optional accessory for CKL 2400 / 2405 / 2440	

Dimensions [mm]:

