

LASOS® **DPSS laser series**

Directly frequency-doubled solid-state laser

15, 40, 60, 80, 120, 160 or 240 mW at 532 nm, fiber coupled



GLK 32XX FS

- Single frequency
- Outstanding long term stability
- Excellent beam quality
- Reliable and robust
- Maintenance free
- Compact design
- Suitable for OEM applications
- Customization on request



Directly frequency-doubled solid-state laser

Specifications GLK F series:

LASOS® DPSS laser series

The LASOS® DPSS laser series provide excellent beam quality in a variety of wavelengths based on the latest progress in solid state laser technology.

The LASOS® DPSS laser series offers a reliable and compact single frequency laser source in the VIS.

The LASOS® DPSS laser series provide the ideal products for applications in:

- Spectroscopy
- Interferometry
- Confocal and fluorescence microscopy
- Bioanalytical research
- Particle measurements
- Metrology
- Industrial measurements
- Medical
- Science and education

Customized solutions for specific applications are possible

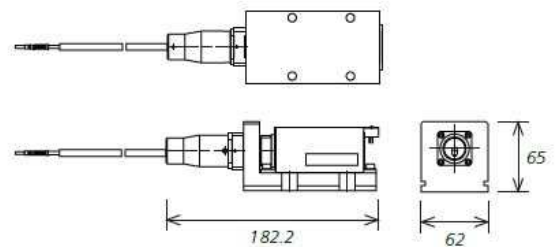
| | |
|------------------------------------|------------------------------------|
| Wavelength | 532 nm ± 0.5 nm |
| Wavelength stability (8 h) | ±0.002 nm |
| Spectral Linewidth ¹ | < 1 MHz |
| Output power ex fiber ² | 15, 40, 60, 80, 120, 160 or 240 mW |
| Output power stability within 8 h | < ±1.0 % |
| Noise 30 Hz ... 10 MHz | ≤ 0.5 % rms |
| Warm up period | < 10 min |
| Polarization ratio | ≥ 100:1 |
| Controller | CKL 2440, CKL 2400, CKL 1000 |

¹Allan Deviation for sample period < 0.5 s

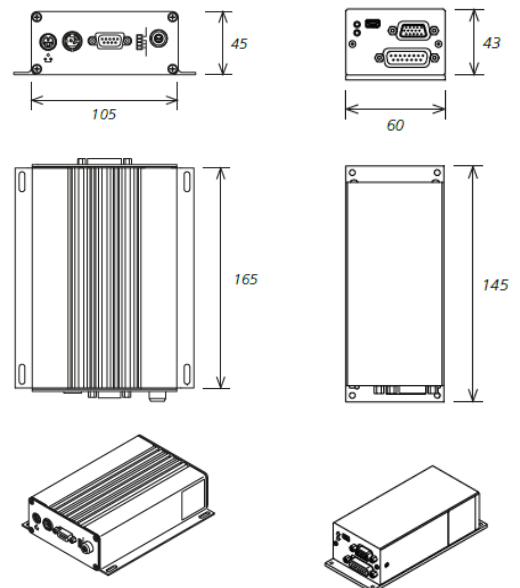
²coupling efficiency: typ. 70-80%

Options on request

Dimensions [mm]:
Laser Head



Controller
(CKL 2440/CKL 2400/CKL 1000)



LASOS

For worldwide photonics

LASOS Lasertechnik GmbH
Franz-Loewen-Str. 2
07745 Jena
Germany

Phone: +49 (0) 3641 2944 – 0
Fax: +49 (0) 3641 2944 – 300
sales@lasos.com

www.lasos.com