

ANGELETTE-WAS

LEDiL's ANGELETTE family

– Highly pleasing and uniform indoor architectural lighting

Angelette family consists of three symmetrical light distributions - Spot, Medium flood and Wide flood - and a wall-washer reflector designed for best in class uniformity and quality of light.

- ANGELETTE's smooth, glare-free and uniform light pattern is optimized for highest quality office, hospitality and museum lighting
- Part of LEDiL's System Reflector philosophy – compatible with existing ANGELA/ANGELINA clamps and sublenses
- Works with a multitude of solderless connectors such as TE, Molex, Ideal and BJB



ANGELETTE-S

- Diameter: 110 mm
- Height: 60 mm*
- Typical FWHM: 15°



ANGELETTE-M

- Diameter: 110 mm
- Height: 60 mm*
- Typical FWHM: 50°



ANGELETTE-WW

- Diameter: 110 mm
- Height: 60 mm*
- Typical FWHM: 70°



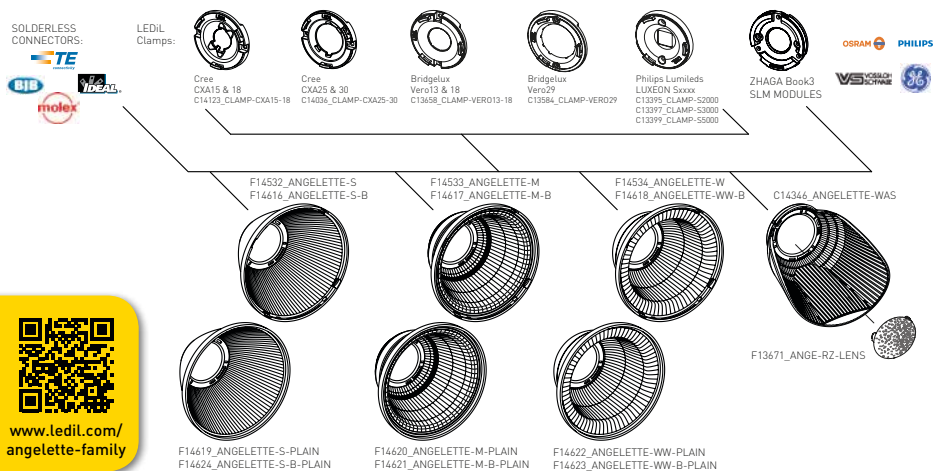
ANGELETTE-WAS

- Diameter: 97.2x83.4 mm
- Height: 84 mm*
- Typ. efficiency: 92%
- Highest quality wall-washing optimized for COB's with LES ≈ 14 ... 22 mm
- For track lights only

* Depending on a connector, add 3-7 mm to the total height

ANGELETTE family

Visit www.ledil.com/angelette-family for full family listing



www.ledil.com/angelette-family