

## FEATURES:

- 300 MHz ~ 3000 MHz;
- 0.1 dB Insertion Loss;
- 500 mA DC Current;
- 10 Watts RF CW Power;
- 100 Volt DC Rating;
- RoHS Compliant.

## APPLICATIONS:

- Cellular;
- GPS;
- PCS, 3G.

## ORDERING INFORMATION: LBST03003000A

# LBST03003000A, 300 MHz ~ 3000 MHz WIDE BAND BIAS-T

## ELECTRICAL SPECIFICATIONS @ 21 °C

Symbol	Parameters/Conditions	Unit	Min	Typical	Max
f	Passband	MHz	300		3000
IL	Insertion Loss	dB		0.1	0.3
VSWR	Return VSWR: Ports: 'RF+DC' to 'RF'	Ratio		1.22:1	1.35:1
I <sub>dc</sub>	DC Current Handling	mA			500
V <sub>dc</sub>	DC Voltage Handling	V			100
P <sub>o</sub>	RF CW Power Handling	W			10
S <sub>12</sub>	Reverse Isolation: Ports: 'RF' to 'DC'	dB	40		
Z <sub>0</sub>	Impedance	Ohm		50	

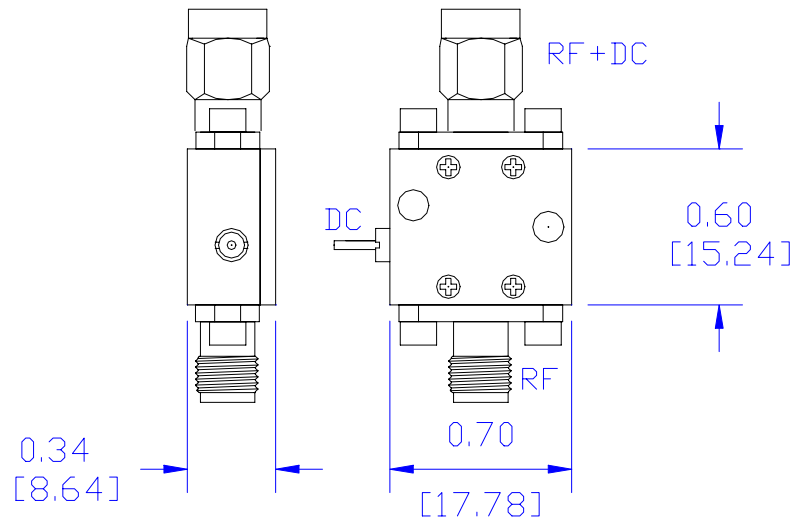
## ABSOLUTE MAXIMUM RATINGS<sup>1</sup>

Parameters/Conditions	Unit	Maximum
Channel Temperature	°C	+150
CW RF Power	W	10
DC Current	mA	500
DC Supply Voltage	V	100
Operating Temperature	°C	-40 ~ +85
Storage Temperature	°C	-55 ~ +85

[1] Operation beyond these limits may cause permanent damage.

## MECHANICAL OUTLINE

Material: Aluminum Alloy  
 Finish: RoHS Conductive Plating  
 RF: SMA Female  
 RF+DC: SMA Male  
 Unit: Inch/[mm]  
 Tolerance: 0.010inch



**Heat Sink Required For CW High Power Application!**