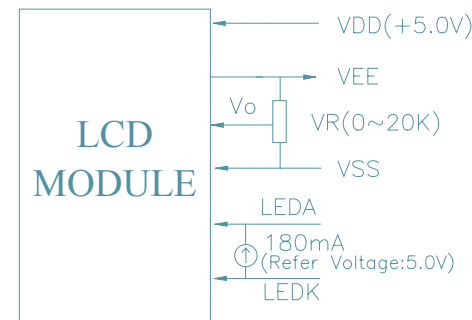
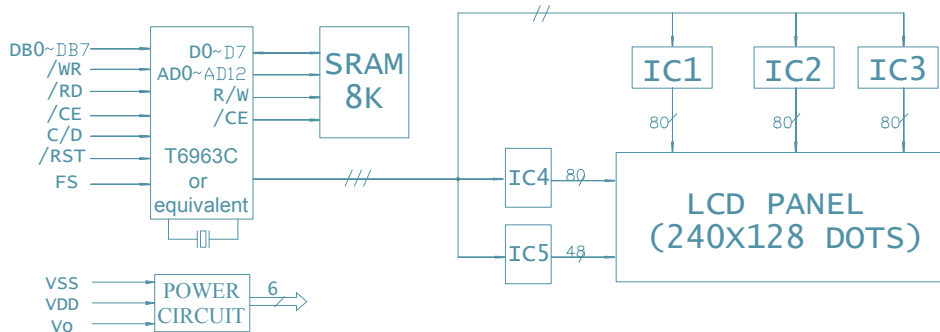


WITH OR WITHOUT
EL B/L

Pin No	Symbol	Pin No	Symbol
1'	FLM	8'	DB0
2'	CL2	9'	DB1
3'	CL1	10'	DB2
4'	M	11'	DB3
5'	VDD	12'	V0
6'	VSS	13'	LEDA
7'	VEE	14'	LEDK



Pin No	Symbol	Pin No	Symbol
1	VSS	11	DB4
2	VDD	12	DB5
3	Vo	13	DB6
4	C/D	14	DB7
5	/RD	15	/CE
6	/WR	16	/RST
7	DB0	17	VEE
8	DB1	18	FS
9	DB2	19	LEDA
10	DB3	20	LEDK

REVISIONS

Information contained herein is proprietary to Liquid Crystal Technologies and may not be used or disclosed without the permission of Liquid Crystal Technologies

NOT TO SCALE

UNLESS OTHERWISE SPECIFIED:
DIMENSIONS ARE IN MM
DECIMAL TOL: +/- .03
ANGULAR TOL: +/- 1°

LCT 24300 Solon Rd.
Solon, OH 44146
(440) 232-8590

FLUID	VIEWING MODE
SCALE	POLARIZER TYPE
	VIEWING DIRECTION

CUSTOMER
Liquid Crystal Technologies

PART NUMBER
LCTB240128M

DRAWING
LCTB240128M.dwg REV **A**

DRAWN **CO** DATE **11/30/07** SHEET **1 OF 1**