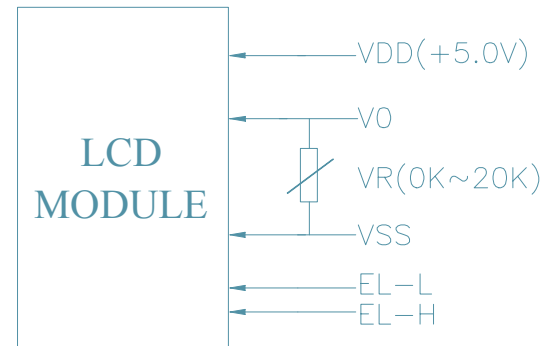
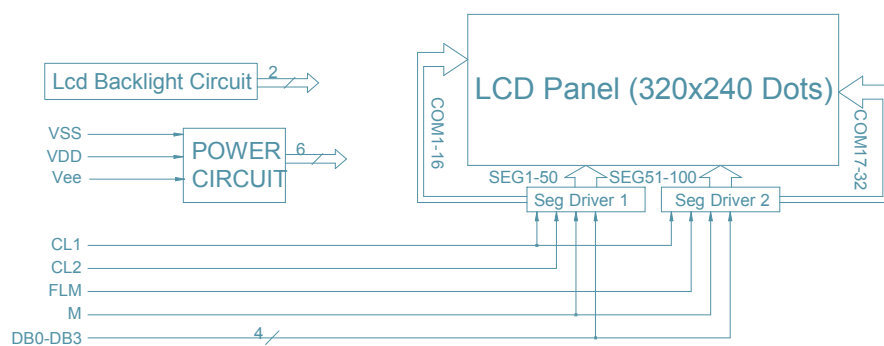


WITH WHITE EL BACKLIGHT



PIN No	SYP
1	CL2
2	CL1
3	FLM
4	M
5-8	DB0~DB3
9	Vee
10	Vdd
11	Vss
12	N.A.
13	EL-L
14	EL-H

REVISIONS

Information contained herein is proprietary to Liquid Crystal Technologies and may not be used or disclosed without the permission of Liquid Crystal Technologies

NOT TO SCALE

UNLESS OTHERWISE SPECIFIED:
 DIMENSIONS ARE IN MM
 DECIMAL TOL: +/- .03
 ANGULAR TOL: +/- 1°

LCT 24300 Solon Rd.
 Solon, OH 44146
 (440) 232-8590

FLUID	VIEWING MODE
SCALE	POLARIZER TYPE
	VIEWING DIRECTION

CUSTOMER
 Liquid Crystal Technologies

PART NUMBER
 LCTB320240G

DRAWING
 LCTB320240G.dwg REV A

DRAWN CO DATE 11/30/07 SHEET 1 OF 1