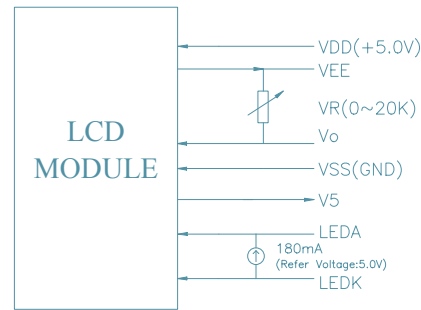
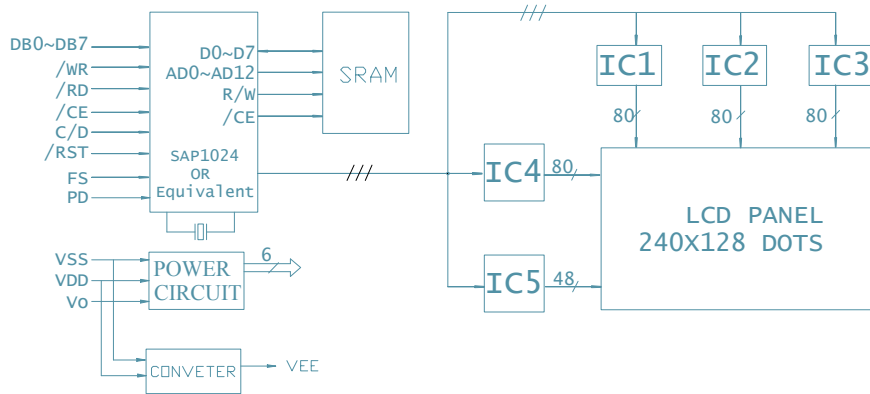


WITH LED B/L



Pin No	Symbol	Pin No	Symbol
1	LEDA	12	C/D
2	LEDK	13	/RST
3	VEE	14	DB0
4	Vo	15	DB1
5	PD	16	DB2
6	VSS	17	DB3
7	VDD	18	DB4
8	V5	19	DB5
9	/WR	20	DB6
10	/RD	21	DB7
11	/CE	22	FS

REVISIONS

Information contained herein is proprietary to Liquid Crystal Technologies and may not be used or disclosed without the permission of Liquid Crystal Technologies

NOT TO SCALE

UNLESS OTHERWISE SPECIFIED:
DIMENSIONS ARE IN MM
DECIMAL TOL: +/- .03
ANGULAR TOL: +/- 1°

LCT 24300 Solon Rd.
Solon, OH 44146
(440) 232-8590

FLUID	VIEWING MODE
SCALE	POLARIZER TYPE
	VIEWING DIRECTION

CUSTOMER
Liquid Crystal Technologies

PART NUMBER
LCTB240128N

DRAWING
LCTB240128N.dwg REV **A**

DRAWN **CO** DATE **11/30/07** SHEET **1 OF 1**