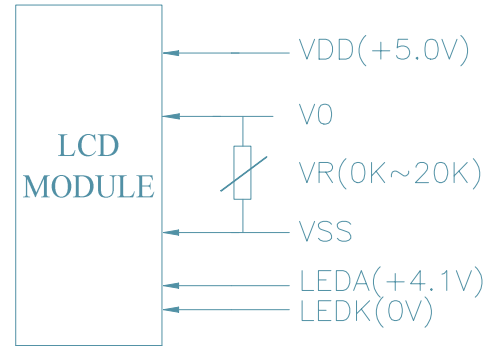


** OR EQUIVALENT



Pin No	Symbol	Pin No	Symbol
1	VSS	9	DB2
2	VDD	10	DB3
3	Vo	11	DB4
4	RS	12	DB5
5	R/W	13	DB6
6	E	14	DB7
7	DB0	15	LEDA
8	DB1	16	LEDK

Information contained herein is proprietary to Liquid Crystal Technologies and may not be used or disclosed without the permission of Liquid Crystal Technologies

LCT 24300 Solon Rd.
Solon, OH 44146
(440) 232-8590

CUSTOMER
Liquid Crystal Technologies

PART NUMBER
LCTCB020004C

NOT TO SCALE

UNLESS OTHERWISE SPECIFIED:
DIMENSIONS ARE IN MM
DECIMAL TOL: +/- .03
ANGULAR TOL: +/- 1°

FLUID VIEWING MODE

SCALE POLARIZER TYPE

VIEWING DIRECTION

DRAWING
LCTCB020004C.dwg REV **A**

DRAWN **CO** DATE **11/30/07** SHEET **1 OF 1**

REVISIONS