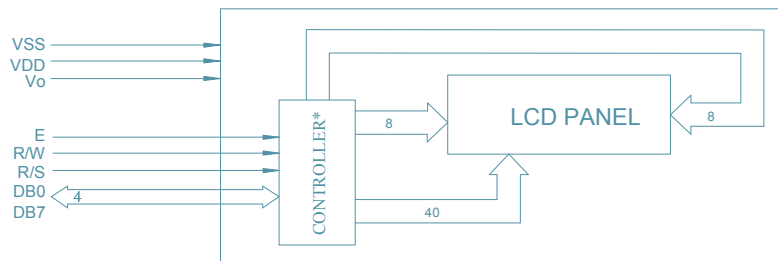
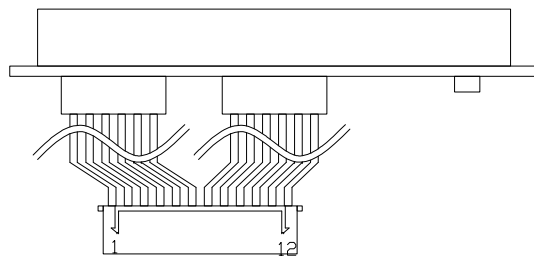
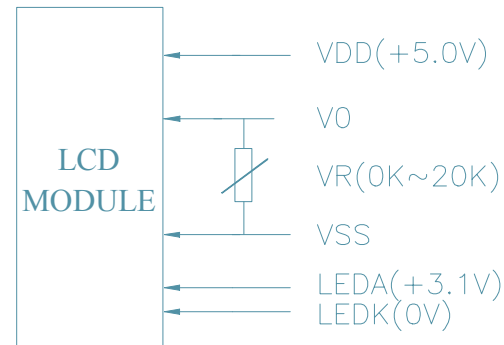


WITH LED B/L



*S6A0069 OR EQUIVALENT



| Pin No | Symbol | Pin No | Symbol |
|--------|--------|--------|--------|
| 1 | VSS | 7 | DB4 |
| 2 | VDD | 8 | DB5 |
| 3 | Vo | 9 | DB6 |
| 4 | RS | 10 | DB7 |
| 5 | R/W | 11 | LEDA |
| 6 | E | 12 | LEDK |

REVISIONS

Information contained herein is proprietary to Liquid Crystal Technologies and may not be used or disclosed without the permission of Liquid Crystal Technologies

NOT TO SCALE

UNLESS OTHERWISE SPECIFIED:
DIMENSIONS ARE IN MM
DECIMAL TOL: +/- .03
ANGULAR TOL: +/- 1°

LCT 24300 Solon Rd.
Solon, OH 44146
(440) 232-8590

FLUID VIEWING MODE

SCALE POLARIZER TYPE

VIEWING DIRECTION

CUSTOMER

Liquid Crystal Technologies

PART NUMBER

LCTCB008002E

DRAWING

LCTCB008002E.dwg

REV A

DRAWN CO

DATE 11/30/07

SHEET

1 OF 1