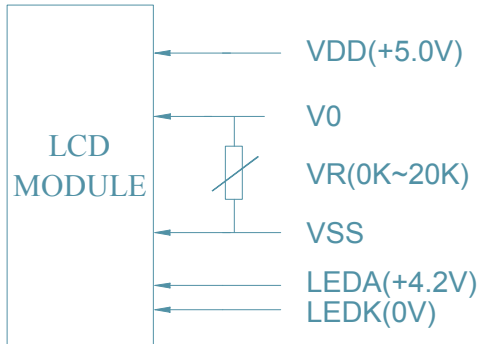


*S6A0069 OR EQUIVALENT



Pin No	Symbol	Pin No	Symbol	Pin No	Symbol
1	NC	10	VSS	19	DB4
2	NC	11	DB0	20	LEDK
3	E2	12	VSS	21	DB5
4	NC	13	DB1	22	VDD
5	R/W	14	VSS	23	DB6
6	NC	15	DB2	24	VDD
7	RS	16	VSS	25	DB7
8	VSS	17	DB3	26	LEDA
9	E1	18	VSS		

Information contained herein is proprietary to Liquid Crystal Technologies and may not be used or disclosed without the permission of Liquid Crystal Technologies

LCT 24300 Solon Rd.
Solon, OH 44146
(440) 232-8590

CUSTOMER
Liquid Crystal Technologies

NOT TO SCALE
UNLESS OTHERWISE SPECIFIED:
DIMENSIONS ARE IN MM
DECIMAL TOL: +/- .03
ANGULAR TOL: +/- 1°

FLUID	VIEWING MODE
SCALE	POLARIZER TYPE
	VIEWING DIRECTION

PART NUMBER
LCTCB040004C

DRAWING
LCTCB040004C.dwg REV **A**

DRAWN **CO** DATE **11/30/07** SHEET **1 OF 1**

REVISIONS