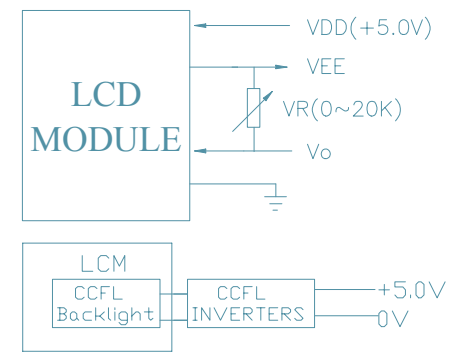
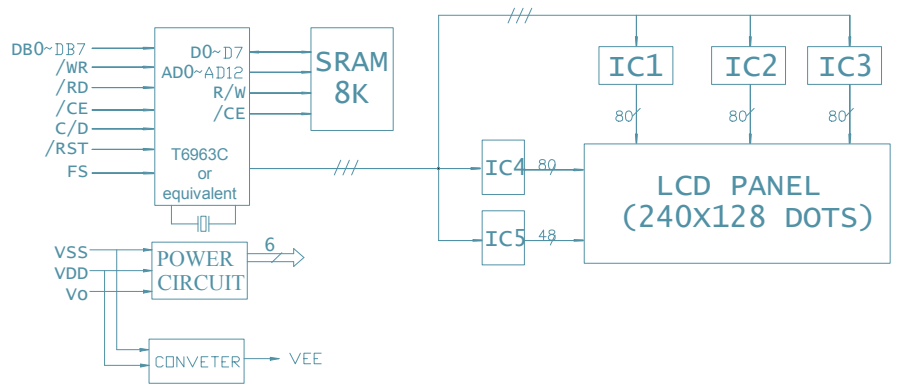


Pin No	Symbol	Pin No	Symbol
1'	FRM	8'	DB0
2'	CL2	9'	DB1
3'	CL1	10'	DB2
4'	M	11'	DB3
5'	VDD	12'	V0
6'	VSS	13'	NC
7'	VEE	14'	NC



Pin No	Symbol	Pin No	Symbol
1	VSS	11	DB4
2	VDD	12	DB5
3	Vo	13	DB6
4	C/D	14	DB7
5	/RD	15	/CE
6	/WR	16	/RST
7	DB0	17	VEE
8	DB1	18	FS
9	DB2	19	NC
10	DB3	20	NC

REVISIONS

Information contained herein is proprietary to Liquid Crystal Technologies and may not be used or disclosed without the permission of Liquid Crystal Technologies

LCT 24300 Solon Rd.
Solon, OH 44146
(440) 232-8590

CUSTOMER
Liquid Crystal Technologies

NOT TO SCALE
UNLESS OTHERWISE SPECIFIED:
DIMENSIONS ARE IN MM
DECIMAL TOL: +/- .03
ANGULAR TOL: +/- 1°

FLUID	VIEWING MODE
SCALE	POLARIZER TYPE
	VIEWING DIRECTION

PART NUMBER
LCTB240128A

DRAWING
LCTB240128A.dwg REV **A**

DRAWN CO	DATE 11/30/07	SHEET 1 OF 1
--------------------	-------------------------	------------------------