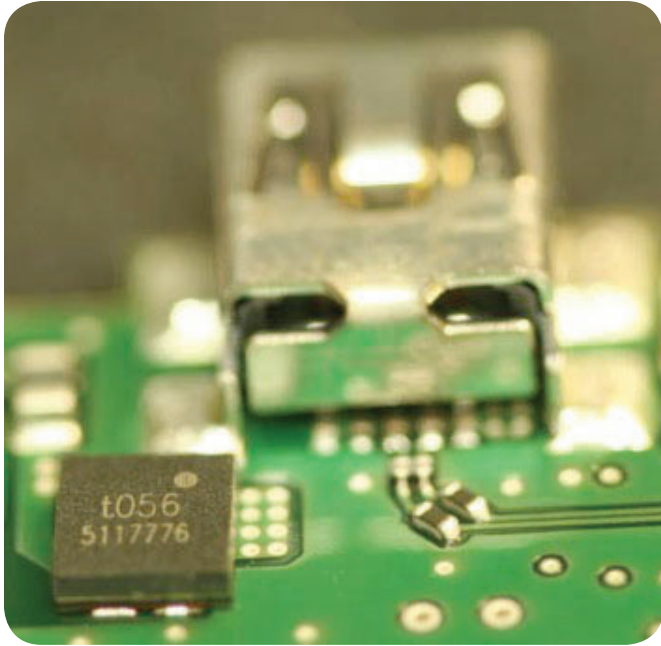


USB 2.0 and USB 3.0 Circuit Protection Considerations for Hard Disc Drives



Although power via USB has been in use for some time, the growing use of USB-based external Hard Disc Drives (HDDs), including external-powered-type, USB-powered-type and now the adoption of Solid State Drives (SSDs), poses new challenges in USB port protection designs. This is true not only for end applications, such as the HDD/SSD, but also for the host USB applications that provide power and data via USB.

Continuing improvements in the 2.5" HDD designs include decreasing draw on power and increasing data storage capacity. The majority of HDDs in use today are connected to desktop/laptop computers and USB hubs, although they are finding wider use in gaming units and automotive infotainment systems.

External HDDs can be powered by either an external power supply or by a host USB port. The USB specification allows users to plug and unplug (hot plug) USB devices while the

PC or end USB host is in operation. During a hot connect or disconnect the inrush current from a USB hub to the USB device can create both current and voltage transients that are orders of magnitude above the operating power-consumption specification of a USB-connected device.

Overcurrent Protection Considerations

Overcurrent protection for USB-powered devices is required per UL60950 and the USB specification, which requires that overcurrent protection be used in the design of USB power delivery. In a short circuit situation external to the USB host port the overcurrent protection device limits the amount of current that the USB device can draw from the USB host port. Overcurrent protection should not be used to enforce the current limits USB devices are required to meet, which is 500mA for USB 2.0 and 950mA for USB 3.0. When designing in USB port protection the protection devices also must not limit the input power requirements of the connected device.

The USB 3.0 standard dramatically increases the amount of energy that can flow to a USB connected device - to a minimum current rating of 1.5A. High-current applications, such as USB HDD devices, require more reliable and robust circuit protection to help prevent damage caused by overvoltage and overcurrent conditions.

When selecting the proper overcurrent device for USB-supplied power, the designer must consider conditions such as start-up inrush current and supply voltage when the application is connected. Improper selection may cause voltage droops or unwanted nuisance tripping; and, in the case of fuse protection, may result in a permanently open circuit. A popular solution for meeting USB safety requirements is using a Polymeric Positive Temperature Coefficient (PPTC) device for overcurrent protection. A major benefit of PPTC devices in host/device USB applications is their ability to reduce the potential of nuisance tripping that can be caused by inrush currents.

USB 2.0 and USB 3.0 Circuit Protection Considerations for Hard Disc Drives

To ensure that the PPTC device functions properly, the power carrying trace or traces should be designed to handle twice the current of the protection device so that the trace itself does not become the fusing element. Figure 1 shows the placement of a PPTC device in the circuit, which should be between the power source and the bypass capacitor. Placing the protection device between the USB port and bypass capacitor could indeed add more Equivalent Series Resistance (ESR) and limit the effectiveness of the overcurrent protection device.

Note: Increasing the number of ports raises the energy absorbing-capacity requirement of the PolySwitch device.

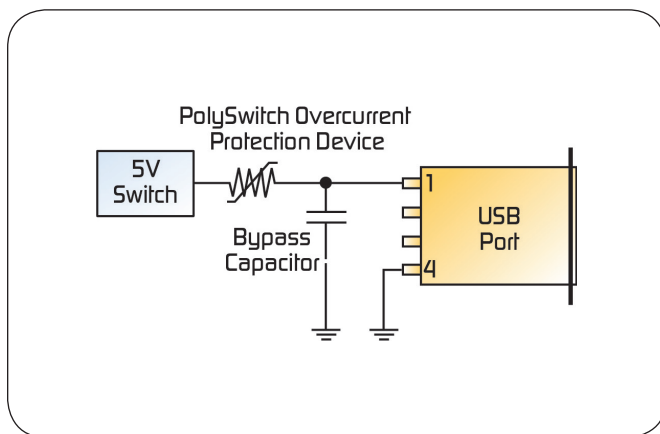


Figure 1: Typical PolySwitch PPTC device overcurrent protection solution for USB port applications.

Overvoltage Protection Considerations

Overvoltage events can be caused by a variety of fault conditions, including user error, poorly regulated third-party power supplies, hot disconnect events, and EMI (electromagnetic interference). The interface and charging systems may also generate negative voltage, resulting in damage to unprotected peripherals.

Placing overvoltage protection devices, such as Littelfuse PolyZen polymer-protected Zener diodes on the power inputs of all USB-powered devices, specifically on the VBUS port, can

help protect against damage caused by overvoltage events. Figure 2 shows where the PolyZen device should be placed on a USB HDD design. For protection against ESD-related transients on the data bus, Littelfuse Polymer ESD (PESD) and Silicon ESD (SESD) devices help provide protection against damage from ESD transients of up to 15kV contact surges.

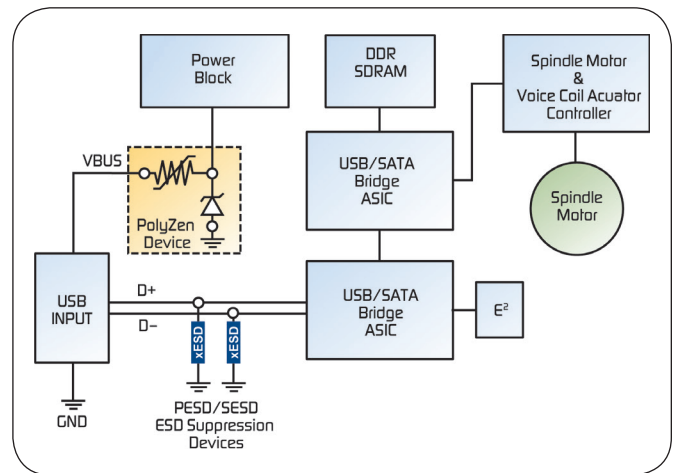


Figure 2: Block Diagram of USB HDD utilizing PolyZen and xESD (e.g., PESD or SESD) devices for USB port power/data line protection.

Recent tests, as shown in Figures 3a and 3b, demonstrate that higher currents can increase overvoltage risks in ganged ports as well as a single port. Such conditions may arise either from the load or from external faults, including line faults, poor regulation and grounding defects.

Figure 3a shows an overvoltage condition in a USB 2.0 application. The 4-port ganged configuration is rated at a maximum of 5V and 2A (0.5 A for each port). In the event of an overvoltage fault, and if only a single port is connected, that port may receive the full 10W power instead of a rated 2.5W during a hot connect/disconnect. The resulting voltage spike may be much higher than the rated 5V, enough to damage the IC in the portable device during charging.

USB 2.0 and USB 3.0 Circuit Protection Considerations for Hard Disc Drives

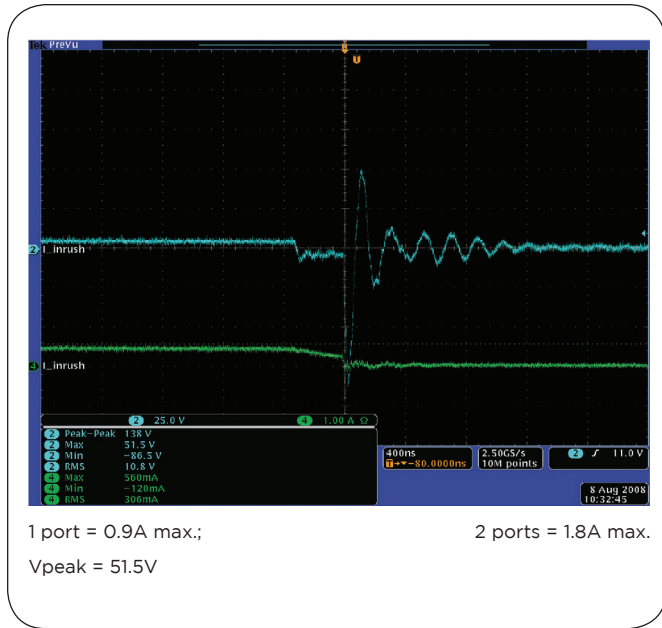


Figure 3a. Typical overvoltage event in a USB 2.0, 4-port ganged application.

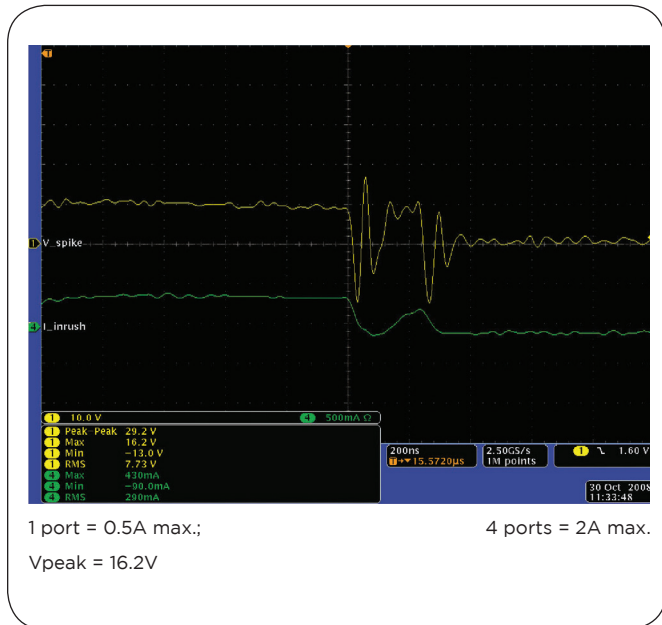


Figure 3b. Typical overvoltage event in a USB 3.0, 2-port ganged application.

Figure 3b shows an overvoltage condition in a USB 3.0 application. Here the 2-port ganged configuration is rated at a maximum of 5V (0.9A per port). Again, if only a single port is connected it may receive up to 9W input power during a hot connect/disconnect event instead of the rated 4.5W. The USB 3.0 specification addresses the issues of overcurrent and overvoltage protection, but because both hosts and peripheral devices will most often be backward compatible, they must be protected from potential damage caused by overcurrent and overvoltage conditions, regardless of the specification level. Internal testing has shown that transients caused by hot connects and disconnects, although very short, can reach up to 16V and even exceed 50V levels.

ESD Considerations

To meet and pass EMI requirements for USB port protection, a common mode choke can provide the required noise suppression. PESD and SESD devices are frequently used to help provide robust, reliable ESD suppression. When using PESD and SESD components in conjunction with common mode chokes, proper placement of the ESD devices is on the data lines between the common mode choke and data pins on the USB connector (Figure 4).

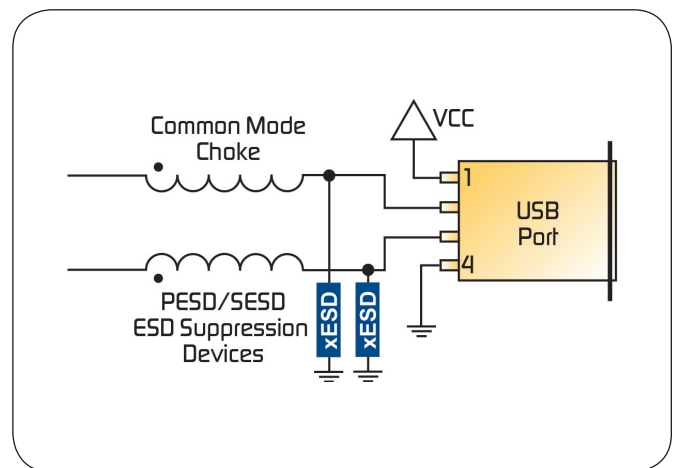


Figure 4: ESD protection device placement with common mode choke option.

USB 2.0 and USB 3.0 Circuit Protection Considerations for Hard Disc Drives

Coordinated Protection Solutions

A coordinated protection scheme can be used to enhance protection against overcurrent, overvoltage and ESD transients in USB applications. Figures 5a through 5d illustrate the circuit

protection devices that are recommended by Littelfuse for USB 2.0, USB 3.0 and Powered-B connector designs.

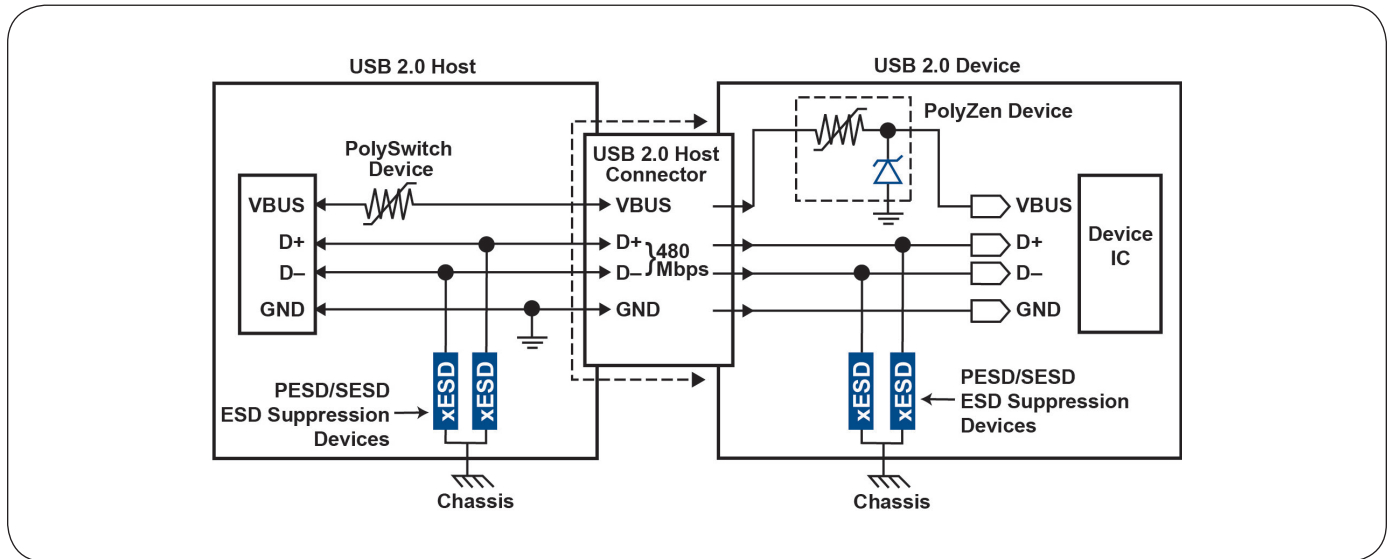


Figure 5a: A coordinated circuit protection approach for USB 2.0.

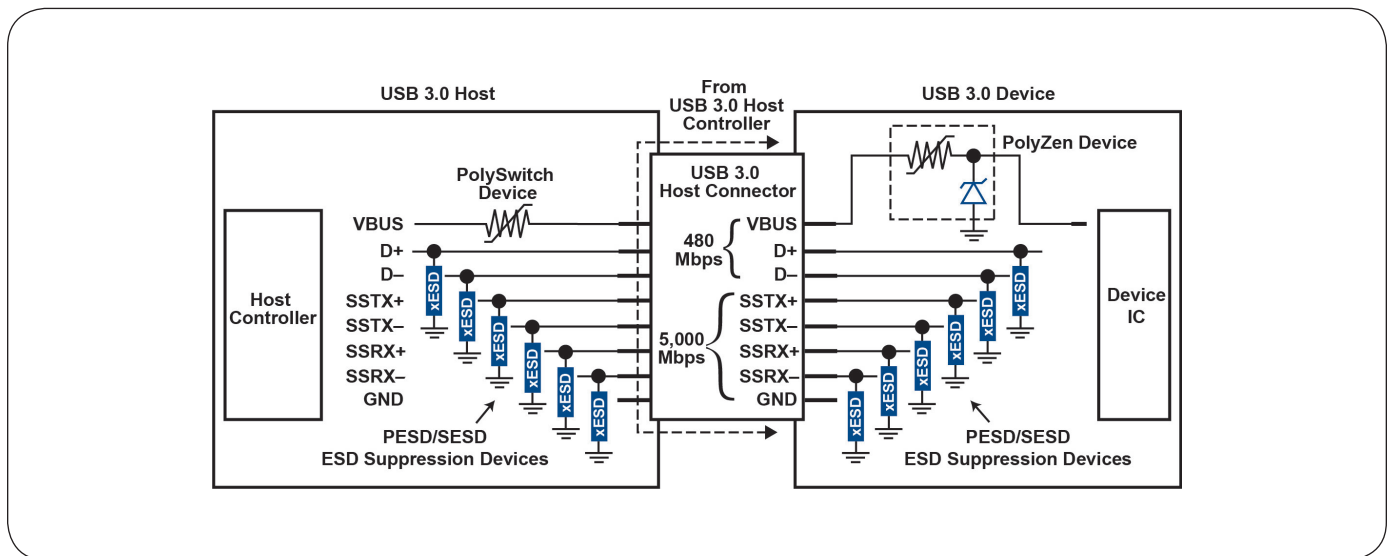


Figure 5b: A coordinated circuit protection approach for USB 3.0.

USB 2.0 and USB 3.0 Circuit Protection Considerations for Hard Disc Drives

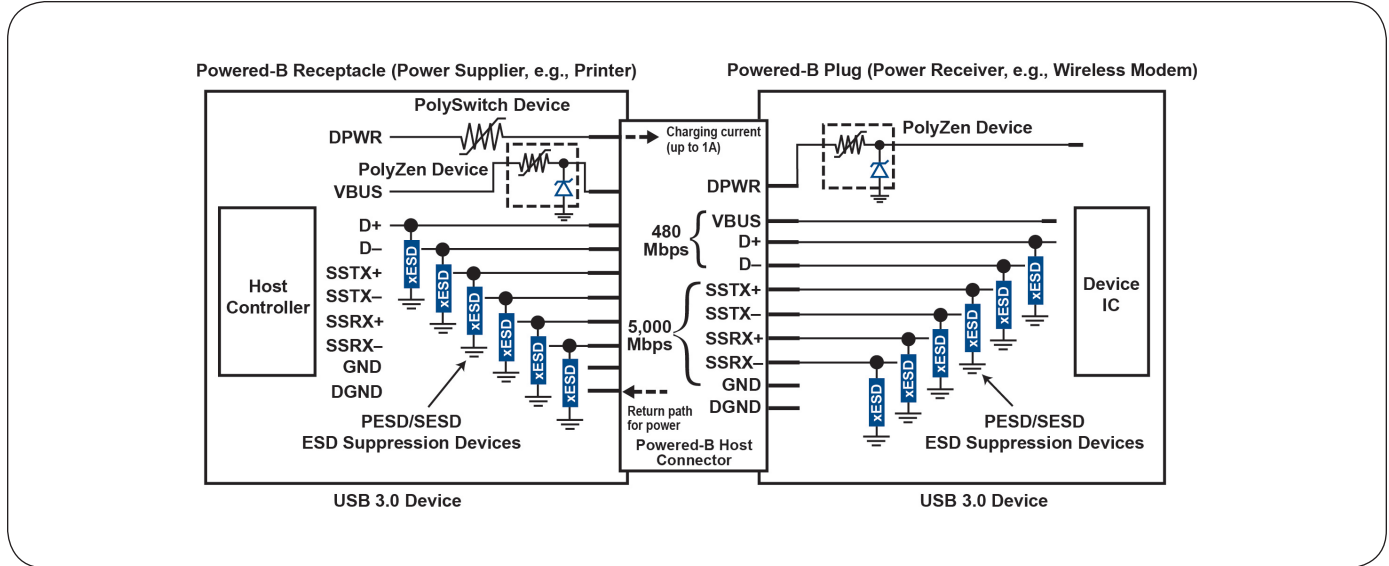


Figure 5c: Bus-powered device with Powered-B plug (e.g., Standard Wireless Modem).

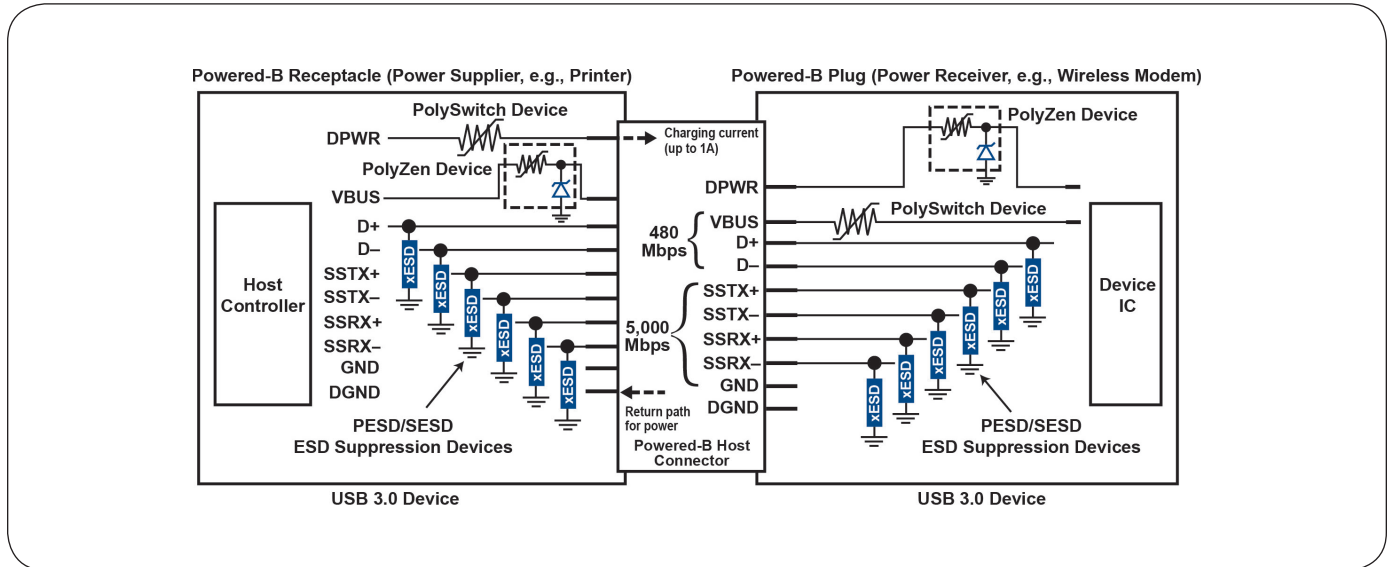


Figure 5d: Battery-powered device charged from DPWR pins and supplying power through VBUS.

USB 2.0 and USB 3.0 Circuit Protection Considerations for Hard Disc Drives

Device Recommendations

PolySwitch overcurrent protection devices help designers meet the high-current requirements of the new USB 3.0 or the former USB 2.0 specifications, and provide a simple, space-saving current limiting solution. PESD and SESD devices provide the low capacitance (typically 0.2pF) required for high-speed data transmission applications, and are available in the electronics industry's most popular form factors. PolyZen

devices help provide protection against damage caused by the use of improper power supplies, voltage transients, and other user-generated errors. These devices offer designers the simplicity of a traditional clamping diode while helping to obviate the need for significant heat sinking in the event of sustained overvoltage.

Littelfuse recommends the following devices for ESD protection.

Capacitance	USB 2.0 (2 Data Lines)	USB 3.0 (6 Data Lines)
0.25pF	PESD0603-240	PESD0603-240
0.25pF	PESD0402-140	PESD0402-140
4.5pF	SESD0402P1BN-0450-090	SESD0402P1BN-0450-090
4.0pF	SESD0201P1BN-0400-090	SESD0201P1BN-0400-090

Littelfuse recommends the following devices for ESD protection.

USB Host Protocol	Max allowed current per port	Recommended Parts			
		Ganged Ports per PolySwitch Device			
		1	2	3	4
USB 1.0 or 2.0	0.5A	nanoSMDC075F	miniSMDC160F	miniSMDC200F	miniSMDC260F
USB 3.0	0.9A	nanoSMDC150F	miniSMDC260F	N/A	N/A
USB Charging Enabled Port	1.5A	miniSMDC260F	N/A	N/A	N/A

Littelfuse recommends placing PolyZen overvoltage protection devices on all USB-powered equipment, specifically on the VBUS port, as shown in the following table.

USB VBUS Overvoltage Protection Recommendations			
USB 2.0	USB 3.0	USB Charging	Notes
PolyZen Device ZEN056V130A24LS	PolyZen Device ZEN056V130A24LS	PolyZen Device ZEN056V230A16LS	Lower Voltage Clamping
PolyZen Device ZEN059V130A24LS	PolyZen Device ZEN059V130A24LS		Low Voltage and Low Power consumption in suspend mode
PolyZen Device ZEN065V130A24LS	PolyZen Device ZEN065V130A24LS	PolyZen Device ZEN065V230A16LS	Lower Leakage Current

Notice:

Information furnished is believed to be accurate and reliable. However, users should independently evaluate the suitability of and test each product selected for their own applications. Littelfuse products are not designed for, and shall not be used for, any purpose (including, without limitation, military, aerospace, medical, life-saving, life-sustaining or nuclear facility applications, devices intended for surgical implant into the body, or any other application in which the failure or lack of desired operation of the product may result in personal injury, death, or property damage) other than those expressly set forth in applicable Littelfuse product documentation. Warranties granted by Littelfuse shall be deemed void for products used for any purpose not expressly set forth in applicable Littelfuse documentation. Littelfuse shall not be liable for any claims or damages arising out of products used in applications not expressly intended by Littelfuse as set forth in applicable Littelfuse documentation. The sale and use of Littelfuse products is subject to Littelfuse Terms and Conditions of Sale, unless otherwise agreed by Littelfuse.