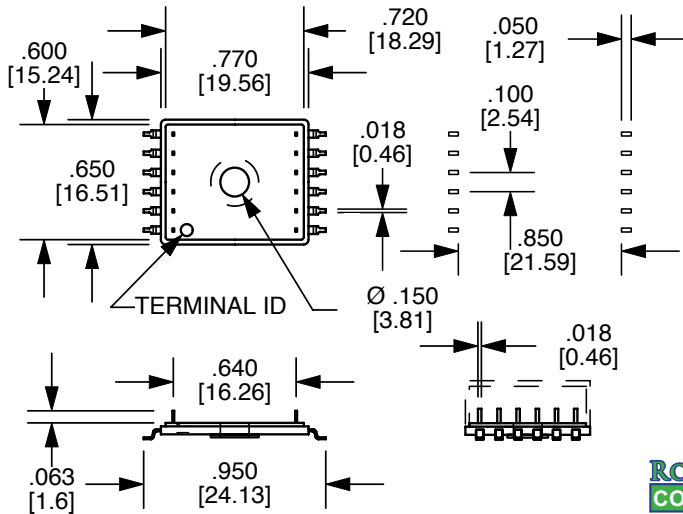


LODESTONE PACIFIC



Phone: (800) 694-8089
 www.lodestonepacific.com
 E-mail: sales@lodestonepacific.com

STM581-12



+/- .010 Inches
 (mm), Actual Size



Material: DAP4 (Black)
UL Rating: UL94-VO, Class F
8 & 12 Terminals: Alloy 42
 100% Tin Plate
Solderability: MIL-STD-202
 Method 208
Package Tray (HIPS): TY65X100-B (75/tray)
 See RoHS compliant PVC packaging tray options on page 57.
Application: For surface mounting of components, pot cores and wound toroids up to .580 inches in diameter. Potting cup PC581 may be used to encapsulate the component. (Page 33)
 Made in our China Factory

Get Samples
 Request samples and literature and have them ship to you same day.
www.lodestonepacific.com/samplepricing.php

Check Inventory
 View daily updated inventory levels in USA and Hong Kong warehouses.
www.lodestonepacific.com/search.php

Request a Quote
 Request a quote and delivery and have it e-mailed to you same day.
www.lodestonepacific.com/quote.php

Try Me!
Toroid Mount Selector
 Search for a part to match your applications, download the .pdf
www.lodestonepacific.com/selectoroid.php

NEW!
REACH Docs Database
 Search for REACH documents, view or download the certifications .pdf.
www.lodestonepacific.com/reach.php

NEW!
Find a Coil Winder
 Search our Coil Winder Data Base, for capabilities to match your specs.
www.lodestonepacific.com/coilwinders.php