

# LODESTONE PACIFIC



Phone: (800) 694-8089  
 www.lodestonepacific.com  
 E-mail: sales@lodestonepacific.com

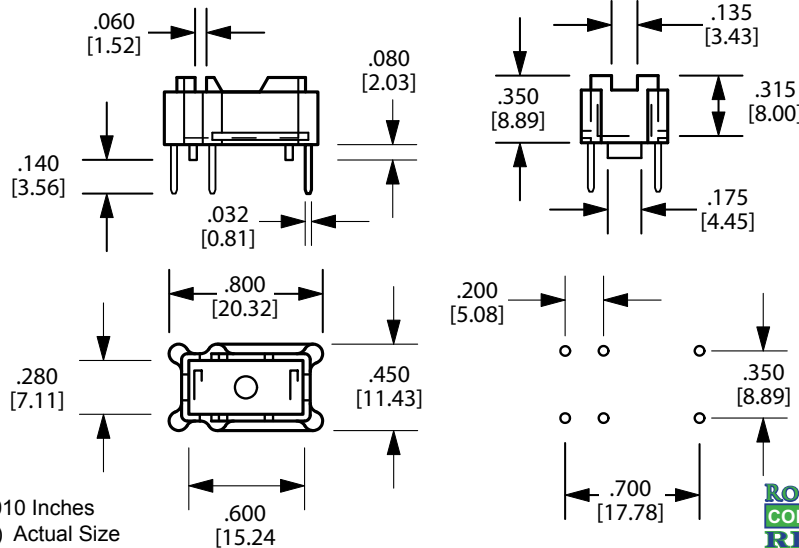
## VTM600-6

**Material:** GFN (Natural)  
**UL Rating:** UL94-VO, Class F  
**6 Terminals:** CP Wire  
 100% Tin Plate  
**Solderability:** Per MIL-STD-202  
 Method 208

**Package Method:** Bulk in Poly Bags  
 See RoHS compliant PVC packaging trays  
 on page 57.

**Application:** For vertical mounting of  
 wound toroids up to .600 inches in diam-  
 eter in transformer, current sensing, and  
 gate drive transformer applications.

Made in our China Factory



+/- .010 Inches  
 (mm) Actual Size



**Get Samples**

Request samples and literature and have them ship to you same day.  
[www.lodestonepacific.com/samplepricing.php](http://www.lodestonepacific.com/samplepricing.php)

**Check Inventory**

View daily updated inventory levels in USA and Hong Kong warehouses.  
[www.lodestonepacific.com/search.php](http://www.lodestonepacific.com/search.php)

**Request a Quote**

Request a quote and delivery and have it e-mailed to you same day.  
[www.lodestonepacific.com/quote.php](http://www.lodestonepacific.com/quote.php)

**Try Me! Toroid Mount Selector**

Search for a part to match your applications, download the .pdf  
[www.lodestonepacific.com/selectoroid.php](http://www.lodestonepacific.com/selectoroid.php)

**NEW! REACH Docs Database**

Search for REACH documents, view or download the certifications .pdf.  
[www.lodestonepacific.com/reach.php](http://www.lodestonepacific.com/reach.php)

**NEW! Find a Coil Winder**

Search our Coil Winder Data Base, for capabilities to match your specs.  
[www.lodestonepacific.com/coilwinders.php](http://www.lodestonepacific.com/coilwinders.php)