

LODESTONE PACIFIC

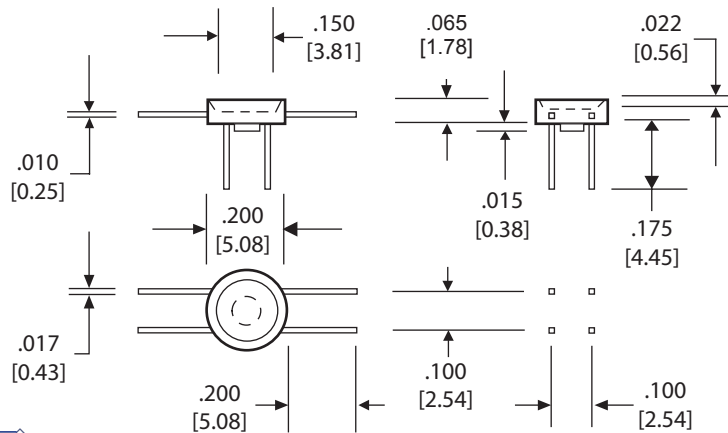


Phone: (800) 694-8089
 www.lodestonepacific.com
 E-mail: sales@lodestonepacific.com

TM200-4

Material: DAP (Green)
UL Rating: UL94-VO, Class F
4 Terminals: Alloy 42 Lead Frame
 100% Tin Plated
Solderability: Per MIL-STD-202
 Method 208
Package Method: Styrofoam Trays
Application: For horizontal mounting of
 toroids with wound diameters from .050
 to .180 inches.

Made in our China Factory



+/- .010 Inches
 (mm) 2 x Size

Get Samples

Request samples and literature and have them ship to you same day.
www.lodestonepacific.com/samplepricing.php

Check Inventory

View daily updated inventory levels in USA and Hong Kong warehouses.
www.lodestonepacific.com/search.php

Request a Quote

Request a quote and delivery and have it e-mailed to you same day.
www.lodestonepacific.com/quote.php

Try Me!
Toroid Mount Selector

Search for a part to match your applications, download the .pdf
www.lodestonepacific.com/selectoroid.php

NEW!
REACH Docs Database

Search for REACH documents, view or download the certifications .pdf.
www.lodestonepacific.com/reach.php

NEW!
Find a Coil Winder

Search our Coil Winder Data Base, for capabilities to match your specs.
www.lodestonepacific.com/coilwinders.php