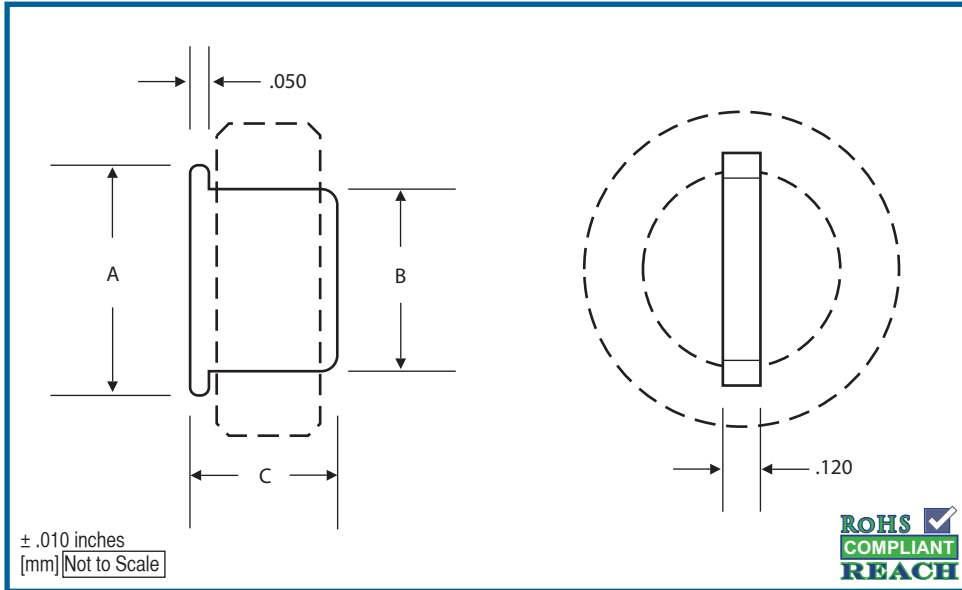


LODESTONE PACIFIC



Phone: (800) 694-8089
 www.lodestonepacific.com
 E-mail: sales@lodestonepacific.com



TS SERIES

Material: GFN (Natural)
UL Rating: UL94-VO, Class F
Packaging: Bulk in Polybags
Application: Spacers are for common mode chokes requiring voltage isolation.

Part No.	A	B	C
TS33-13	.460 [11.7]	.315 [8.0]	.285 [7.2]
TS48-12	.660 [16.7]	.465 [11.8]	.365 [9.3]
TS52-03	.660 [16.7]	.480 [12.2]	.412 [10.5]
TS52-05	.660 [16.7]	.510 [12.9]	.600 [15.2]
TS59-06	.730 [18.5]	.560 [14.2]	.412 [10.5]
TS73-01	.930 [23.6]	.720 [18.2]	.700 [17.8]
TS73-11	.930 [23.6]	.722 [18.3]	.430 [10.9]
TS89-07	1.025 [26.0]	.875 [22.2]	.690 [17.5]
TS94-14	1.030 [26.1]	.930 [23.6]	.670 [17.0]
TS130-10	1.460 [37.1]	1.290 [32.8]	.740 [18.8]
TS140-08	1.372 [34.8]	1.212 [30.8]	.875 [22.2]

Get Samples

Request samples and literature and have them ship to you same day.
www.lodestonepacific.com/samplepricing.php

Check Inventory

View daily updated inventory levels in USA and Hong Kong warehouses.
www.lodestonepacific.com/search.php

Request a Quote

Request a quote and delivery and have it e-mailed to you same day.
www.lodestonepacific.com/quote.php

Try Me!
Toroid Mount Selector

Search for a part to match your applications, download the .pdf
www.lodestonepacific.com/selectoroid.php

NEW!
REACH Docs Database

Search for REACH documents, view or download the certifications .pdf.
www.lodestonepacific.com/reach.php

NEW!
Find a Coil Winder

Search our Coil Winder Data Base, for capabilities to match your specs.
www.lodestonepacific.com/coilwinders.php