

LODESTONE PACIFIC

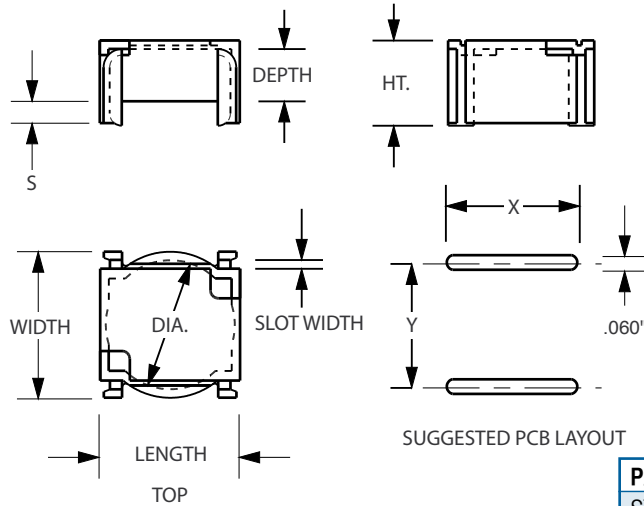


Phone: (800) 694-8089
 www.lodestonepacific.com
 E-mail: sales@lodestonepacific.com

STM LC SERIES

Material: PPS (Black)
Rating: UL 94-VO
2 Terminals: Self Terminating
Package Method: Bulk in Poly Bags
 See RoHS compliant PVC packaging trays, or tape and reel options on page 57.
Application: The STM LC Series is for self leading surface mount low current inductors. The series will accommodate wound toroidal cores from .200 up to .610 in diameter and uses the toroid's winding leads to surface mount the toroid and case to the printed circuit board. The wound toroid's leads are held in position by the slots and channels incorporated in the mounting case.

This product is the patented property of Pulse Engineering Inc.



± .010 inches
 [mm] [Not to Scale]

| PART NO. | TRAY NO. |
|------------|-----------|
| STM20LC-02 | TY50x50-A |
| STM30LC-02 | TY50x50-A |
| STM37LC-02 | TY74x77-A |
| STM44LC-02 | TY74x77-A |
| STM50LC-02 | TY74x77-A |

| PART NO. | LENGTH | WIDTH | HT. | DIA. | DEPTH | S | SLOT | X | Y | RECOMMENDED WIRE SIZE |
|------------|--------------|--------------|-------------|--------------|-------------|-------------|-------------|--------------|--------------|--------------------------|
| STM20LC-02 | .330 [8.38] | .330 [8.38] | .240 [6.09] | .270 [6.85] | .135 [3.42] | .080 [2.03] | .024 [0.60] | .300 [7.62] | .270 [6.85] | #32 (.009) to #22 (.027) |
| STM30LC-02 | .425 [10.79] | .430 [10.92] | .310 [7.87] | .375 [9.52] | .175 [4.44] | .100 [2.54] | .036 [0.91] | .400 [10.16] | .360 [9.14] | #32 (.009) to #20 (.034) |
| STM37LC-02 | .545 [13.84] | .550 [13.97] | .310 [7.87] | .490 [12.44] | .175 [4.44] | .100 [2.54] | .036 [0.91] | .520 [13.20] | .460 [11.68] | #32 (.009) to #20 (.034) |
| STM44LC-02 | .575 [14.60] | .600 [15.24] | .350 [8.89] | .530 [13.46] | .210 [5.33] | .100 [2.54] | .036 [0.91] | .550 [13.97] | .510 [12.95] | #30 (.011) to #20 (.034) |
| STM50LC-02 | .650 [16.51] | .680 [17.27] | .350 [8.89] | .610 [15.49] | .210 [5.33] | .100 [2.54] | .036 [0.91] | .620 [15.74] | .590 [14.98] | #30 (.011) to #20 (.034) |

Get Samples
 Request samples and literature and have them ship to you same day.
www.lodestonepacific.com/samplepricing.php

Check Inventory
 View daily updated inventory levels in USA and Hong Kong warehouses.
www.lodestonepacific.com/search.php

Request a Quote
 Request a quote and delivery and have it e-mailed to you same day.
www.lodestonepacific.com/quote.php

Try Me!
Toroid Mount Selector
 Search for a part to match your applications, download the .pdf
www.lodestonepacific.com/selectoroid.php

NEW!
REACH Docs Database
 Search for REACH documents, view or download the certifications .pdf.
www.lodestonepacific.com/reach.php

NEW!
Find a Coil Winder
 Search our Coil Winder Data Base, for capabilities to match your specs.
www.lodestonepacific.com/coilwinders.php