

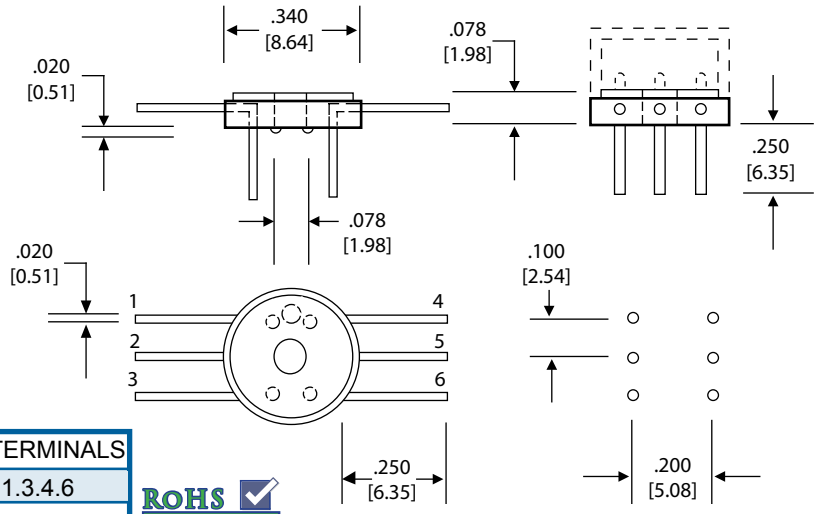
# LODESTONE PACIFIC



Phone: (800) 694-8089  
 www.lodestonepacific.com  
 E-mail: sales@lodestonepacific.com

## TM401 SERIES

**Material:** DAP (Green)  
**UL Rating:** UL94-VO, Class F  
**Terminals:** Brass, Nickel Flash  
 100% Tin Plated  
**Solderability:** Per MIL-STD-202  
 Method 208  
**Package Method:** Bulk in Poly Bags  
 See RoHS compliant PVC packaging trays  
 on page 57.  
**Application:** This series is suitable for  
 components and wound toroids up to  
 .340 inches in diameter. Potting cup  
 PC401 is available for encapsulation.  
 See below. (sold separately).  
 Made in our China Factory



PART NO.	TERMINALS
TM401-4	1,3,4,6
TM401-5	1,2,3,4,6
TM401-6	1,2,3,4,5,6



+/- .010 Inches  
 (mm) 2 x Size

**Get Samples**  
 Request samples and literature and have them ship to you same day.  
[www.lodestonepacific.com/samplepricing.php](http://www.lodestonepacific.com/samplepricing.php)

**Check Inventory**  
 View daily updated inventory levels in USA and Hong Kong warehouses.  
[www.lodestonepacific.com/search.php](http://www.lodestonepacific.com/search.php)

**Request a Quote**  
 Request a quote and delivery and have it e-mailed to you same day.  
[www.lodestonepacific.com/quote.php](http://www.lodestonepacific.com/quote.php)

**Try Me! Toroid Mount Selector**  
 Search for a part to match your applications, download the .pdf  
[www.lodestonepacific.com/selectoroid.php](http://www.lodestonepacific.com/selectoroid.php)

**NEW! REACH Docs Database**  
 Search for REACH documents, view or download the certifications .pdf.  
[www.lodestonepacific.com/reach.php](http://www.lodestonepacific.com/reach.php)

**NEW! Find a Coil Winder**  
 Search our Coil Winder Data Base, for capabilities to match your specs.  
[www.lodestonepacific.com/coilwinders.php](http://www.lodestonepacific.com/coilwinders.php)