

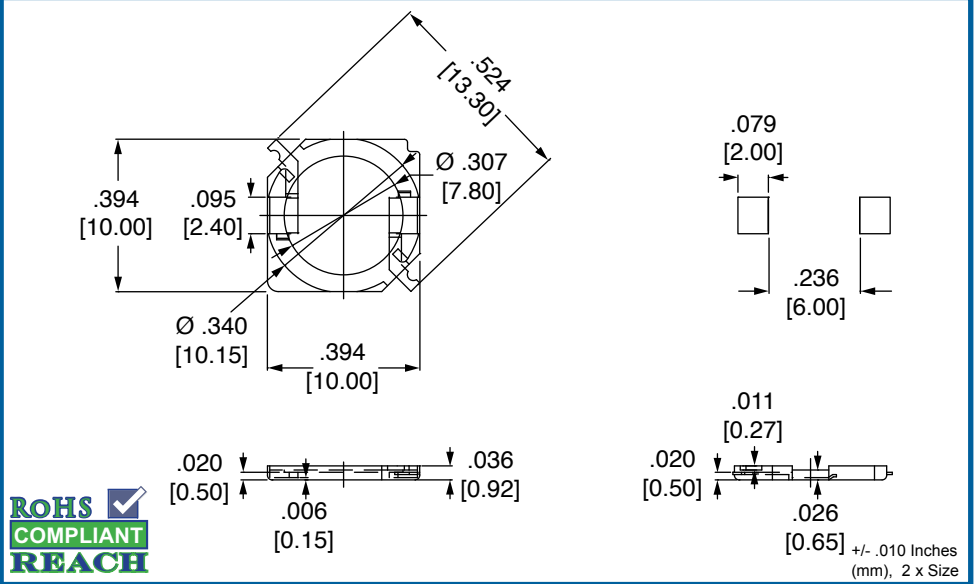
LODESTONE PACIFIC



Phone: (800) 694-8089
 www.lodestonepacific.com
 E-mail: sales@lodestonepacific.com

SMDR416-2

Material: LCP (Black)
UL Rating: UL94-VO, Class F
2 Terminals: Phosphorus Bronze
 100% Tin Plate
Solderability: MIL-STD-202
 Method 208
Package Method: Bulk in Poly Bags
 See RoHS compliant PVC packaging trays
 on page 57.
Application: For surface mounting of
 9 mm bobbin cores or low profile wound
 toroids up to .420 inches in diameter.



Get Samples

Request samples and literature and have them ship to you same day.
www.lodestonepacific.com/samplepricing.php

Check Inventory

View daily updated inventory levels in USA and Hong Kong warehouses.
www.lodestonepacific.com/search.php

Request a Quote

Request a quote and delivery and have it e-mailed to you same day.
www.lodestonepacific.com/quote.php

Try Me! Toroid Mount Selector

Search for a part to match your applications, download the .pdf
www.lodestonepacific.com/selectoroid.php

NEW! REACH Docs Database

Search for REACH documents, view or download the certifications .pdf.
www.lodestonepacific.com/reach.php

NEW! Find a Coil Winder

Search our Coil Winder Data Base, for capabilities to match your specs.
www.lodestonepacific.com/coilwinders.php