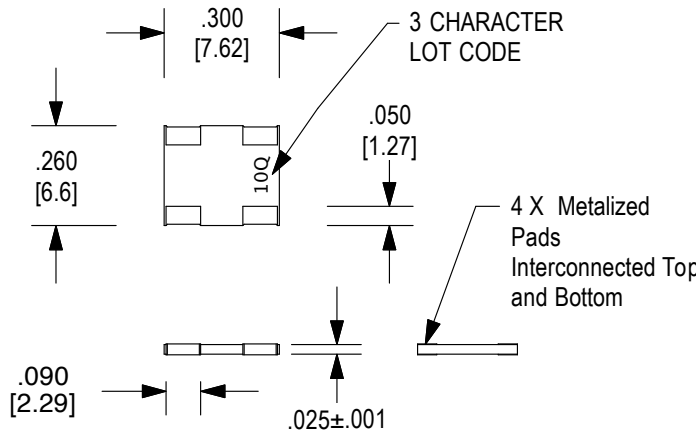


LODESTONE PACIFIC



Phone: (800) 694-8089
www.lodestonepacific.com
E-mail: sales@lodestonepacific.com

NEW



+/- .010 Inches
(mm), 2 x Size



SMRF258-4

Material: Alumina Al₂O₃ 93% White

4 Terminals: Nickel, Gold Plated

Solderability: Per MIL-STD-202 Method 208


Packaging Method: Bulk in Poly Bags
See RoHS compliant PVC packaging trays on page 57.


Application: For high frequency transformer and inductor applications requiring low dielectric loss. Suitable for MOCA applications.


Made in the USA


Get Samples
Request samples and literature and have them ship to you same day.
www.lodestonepacific.com/samplepricing.php


Check Inventory
View daily updated inventory levels in USA and Hong Kong warehouses.
www.lodestonepacific.com/search.php


Request a Quote
Request a quote and delivery and have it e-mailed to you same day.
www.lodestonepacific.com/quote.php


Try Me! Toroid Mount Selector
Search for a part to match your applications, download the .pdf
www.lodestonepacific.com/selectoroid.php


NEW! REACH Docs Database
Search for REACH documents, view or download the certifications .pdf.
www.lodestonepacific.com/reach.php


NEW! Find a Coil Winder
Search our Coil Winder Data Base, for capabilities to match your specs.
www.lodestonepacific.com/coilwinders.php