



Phone: (800) 694-8089
 www.lodestonepacific.com
 E-mail: sales@lodestonepacific.com

TM1850-016

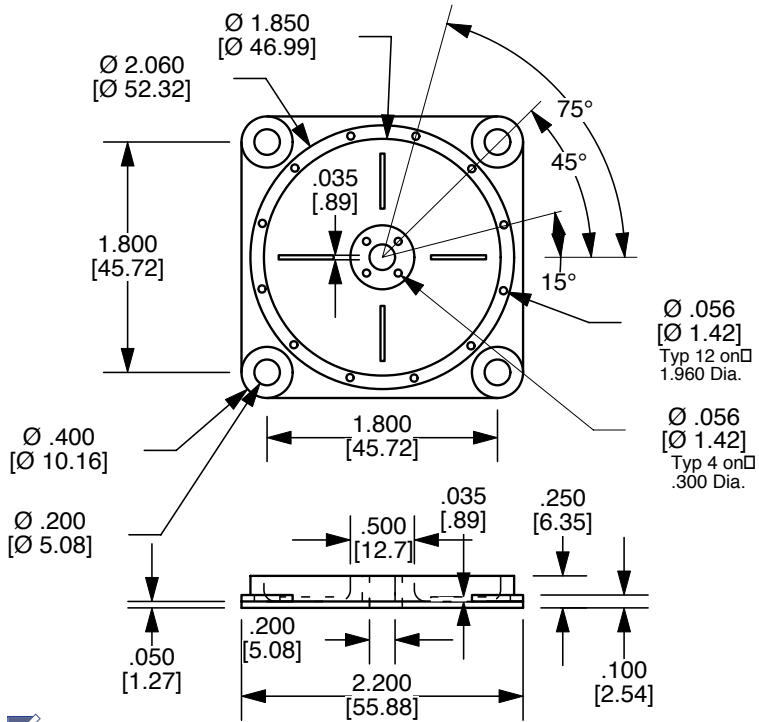
Material: PET (Black)
Rating: UL 94-VO, Class N

16 Terminals: Self Terminating
Package Method: Bulk in Polybags

Application: For mounting wound toroids up to 1.85 inches in diameter. The toroids winding leads pass through holes in the bottom of the mount and are used to make the connection to the PCB. Four #10 bolt holes allow mounting to a chassis or on "stilts" above a crowded printed circuit board. The bolt holes can also be used to connect "flying leads".

The reservoir portion of the mount will hold epoxy or RTP used to attach the coil.

Made in our China factory



± .010 inches
 [mm] [Not to Scale]



Get Samples

Request samples and literature and have them ship to you same day.
www.lodestonepacific.com/samplepricing.php

Check Inventory

View daily updated inventory levels in USA and Hong Kong warehouses.
www.lodestonepacific.com/search.php

Request a Quote

Request a quote and delivery and have it e-mailed to you same day.
www.lodestonepacific.com/quote.php

Try Me! Toroid Mount Selector

Search for a part to match your applications, download the .pdf
www.lodestonepacific.com/selectroid.php

NEW! REACH Docs Database

Search for REACH documents, view or download the certifications .pdf.
www.lodestonepacific.com/reach.php

NEW! Find a Coil Winder

Search our Coil Winder Data Base, for capabilities to match your specs.
www.lodestonepacific.com/coilwinders.php