

# Diode Module

---

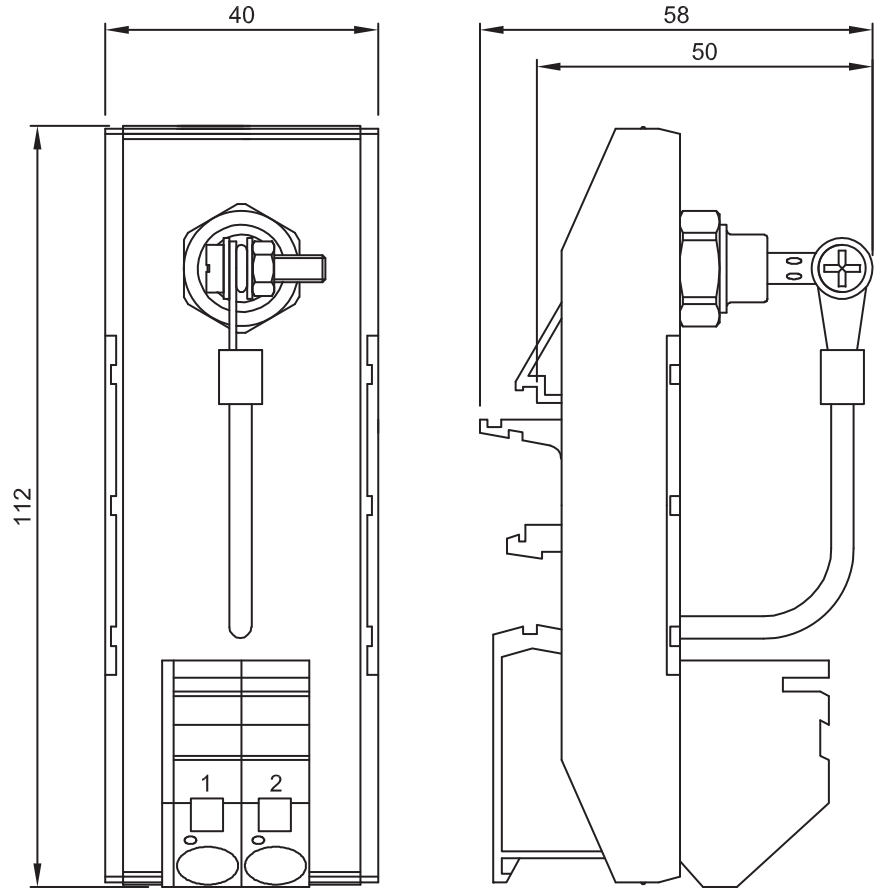


|                                |                                                                                                                              |          |
|--------------------------------|------------------------------------------------------------------------------------------------------------------------------|----------|
| <b>Identification</b>          | Type                                                                                                                         | DGE-6237 |
|                                | Part-No.                                                                                                                     | 716237   |
| <b>Product version</b>         |                                                                                                                              |          |
| Hardware revision              | B                                                                                                                            |          |
| Datasheet version              | 01                                                                                                                           |          |
| <b>Use/Area of application</b> |                                                                                                                              |          |
| Description                    | Diode module equipped with 1 diode VS-95PFR120.                                                                              |          |
| <b>Technical data</b>          |                                                                                                                              |          |
| Nominal voltage $U_N$          | DC 110 V                                                                                                                     |          |
| Rated current                  | 10 A                                                                                                                         |          |
| Number of diodes               | 1                                                                                                                            |          |
| Diode                          | VS-95PFR120 (95 A / 1200 V)                                                                                                  |          |
| Diode blocking voltage         | 1200 V                                                                                                                       |          |
| <b>General</b>                 |                                                                                                                              |          |
| Termination                    | Spring terminal: 0.2 – 16 mm <sup>2</sup><br>Stripping Length: 12 – 13 mm<br>Screwdriver: 5,5 x 0,8 mm                       |          |
| Operation temperature range    | -40 °C – 70 °C                                                                                                               |          |
| Storage temperature range      | -40 °C – 85 °C                                                                                                               |          |
| Dimensions (w x h x d)         | 40.0 x 112.0 x 58.0 mm                                                                                                       |          |
| Weight (kg/piece)              | 0.105 kg/piece                                                                                                               |          |
| Standards                      | Electronic equipment on railway vehicles: EN 50155<br>Insulation coordination: EN 50124-1<br>Vibrations and shocks: EN 61373 |          |

The standard applicable to this product is dependent on the version available for development. The standards applicable to this product are available on request.

# Diode Module

## Dimensions



## Circuit diagram

