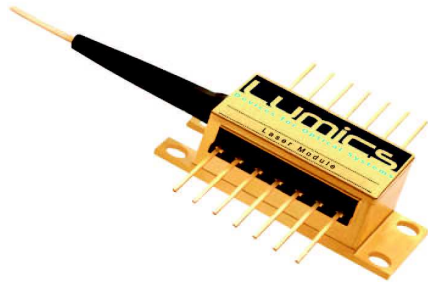


LU1030M300

1030nm Laser Module, Seed Laser

c.w. or pulsed mode



The single mode fiber pigtailed laser diode module contains an optimized GaAs substrate based quantum well high power laser diode. The extremely stringent reliability requirements are achieved through our patent pending innovative technology. This includes careful design, exactly defined manufacturing and extensive testing. The qualification contains a set of optoelectronic, thermal and mechanical tests. Each laser diode module is individually serialized for traceability and is shipped with a specified set of test data.

Features & Functions:

- Wavelength 1030nm
- Up to 300 mW c.w. operating power
- Up to 1000 mW pulse peak power
- Rise time < 2nsec
- internal TEC temperature stabilisation

Options:

- PM fiber option
- FBG-option

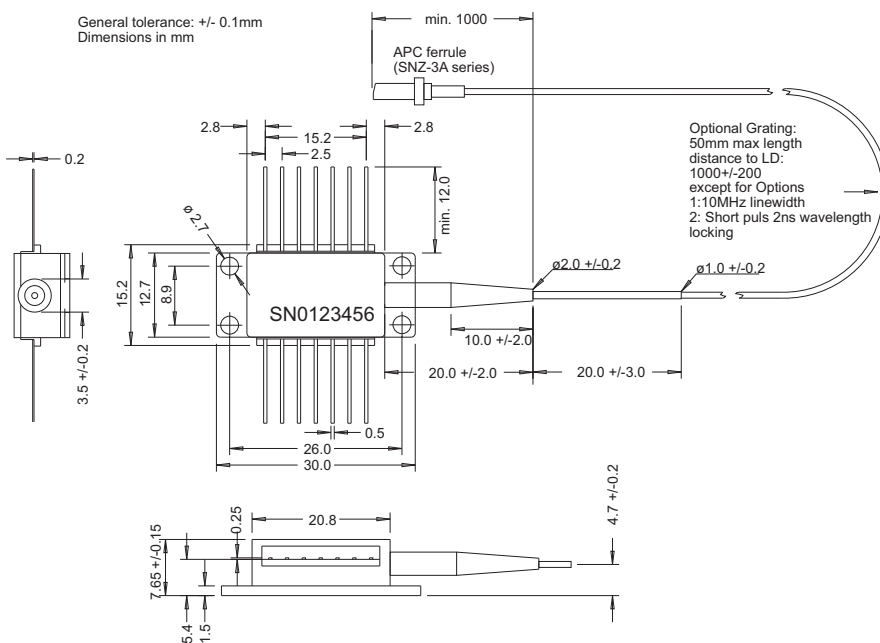
Benefits:

- All laser welded
- Field proven reliability
- Hermetic sealing
- Telcordia compliant package
- RoHS compliant

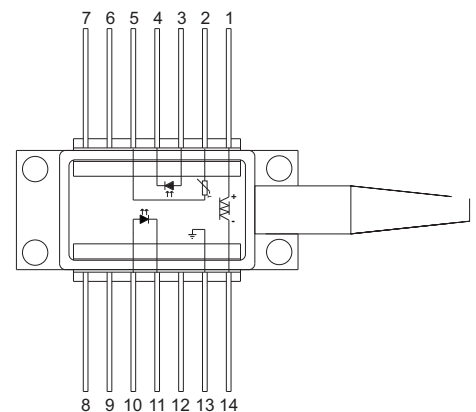
Applications:

- Sensor applications
- Pumping
- Seeder for fiber lasers
- Frequency doubling

Module Drawing (dimensions in mm)



Pin Connections



Pin	Function	Pin	Function
1	Cooler (+)	8	nc
2	Thermistor	9	nc
3	PD Anode (+)	10	LD Anode (+)
4	PD Cathode (-)	11	LD Cathode (-)
5	Thermistor	12	nc
6	nc	13	Case ground
7	nc	14	Cooler (-)

We manufacture diode lasers.

