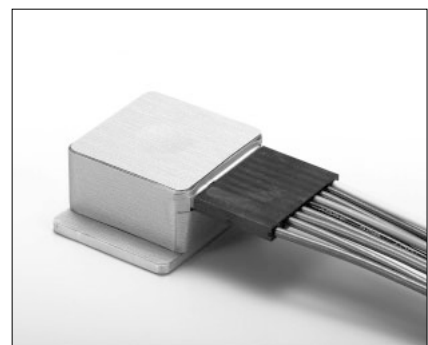
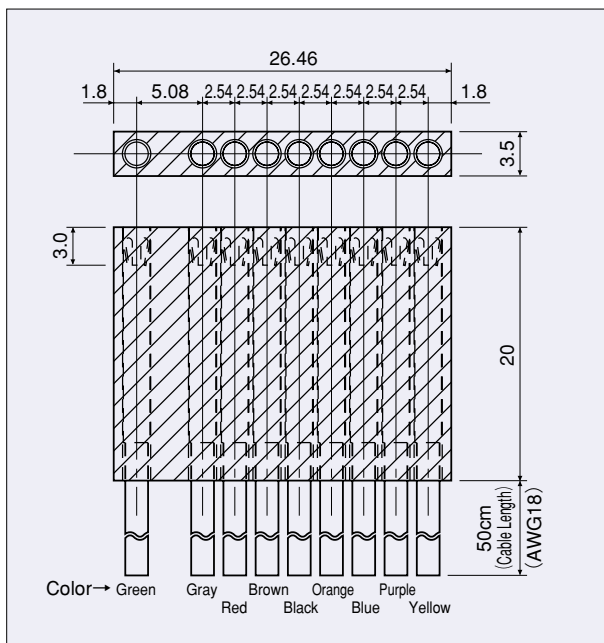


LDS Series / LDS-1-NL (1pcs/pack)

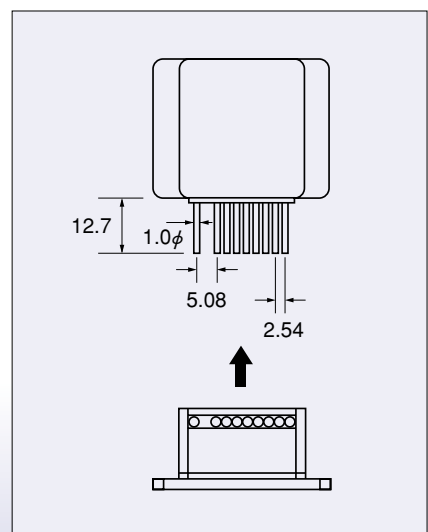
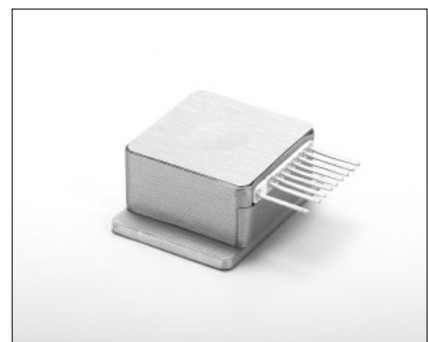
- Connector for Laser Diode
- With 50cm Electric cable
- Material
 - Housing PPS resin black (UL94V-0)
 - Socket..... BodyBrass
 - Contact...BeCu
- Finish.....Plated Au over Ni base
- Current Capacity.....10A
- Voltage Rating.....20V AC, DC
- Insulation Resistance.....500M Ω and over
- Withstand Voltage.....500V AC, DC 1mins
- Contact Resistance.....10m Ω and below (per pin)
- Capacity of Removal and Insertion.....100 times and over
- Cable Size.....AWG-18
- Operating Temperature.....-40~+100°C
- Adaptive Male Pin Diameter.....0.8~1.1 ϕ



■ Dimentions



■ Adaptive Laser Diode



MAC8

No.1 distributor of MAC8

SHINDENKIZAI Co., LTD.

Contact
e-mail: sdk@mac8sdk.co.jp FAX: +81-3-3253-5965

http://www.mac8sdk.co.jp/index_e.html

LQ-2 Series / Laser Diode Socket (10pcs/pack)

Material

Plastic Part.....PPS resin Black (UL94V-0)

Socket.....Body...Brass

Contact...BeCu

Finish Plated Au over Ni base

Current Capacity.....1A

Contact Resistance.....10mΩ and below

Insulation Resistance.....500MΩ and over

Withstand Voltage.....500V AC, DC 1 mins

Capacity of Insertion and Removal.....100 times and over

Power of Insertion and Removal.....30g and over/Pin

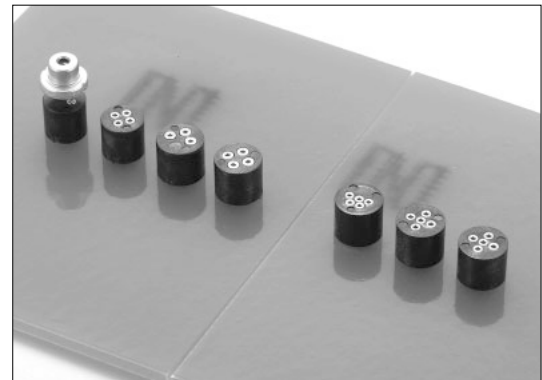
Operating Temperature-40~+125°C

PAT.P



Line Up

P/N	Adaptive Pin	Adaptive PCB Hole W
LQ-203	0.4~0.5 φ	0.6~0.7 φ
LQ-204	0.4~0.5 φ	0.6~0.7 φ
LQ-253	0.4~0.5 φ	0.7~0.8 φ
LQ-254	0.4~0.5 φ	0.7~0.8 φ
LQ-245	0.25~0.40 φ	0.6 φ
LQ-255	0.25~0.35 φ	0.6 φ
LQ-2555	0.4~0.5 φ	0.7~0.8 φ



Dimention

LQ-203	LQ-204	LQ-253	LQ-254	LQ-245	LQ-255	LQ-2555

※If you cannot find out adaptive socket, please inform the spec.

MAC8

No.1 distributor of MAC8

SHINDENKIZAI Co., LTD.

Contact

e-mail: sdk@mac8sdk.co.jp FAX: +81-3-3253-5965

http://www.mac8sdk.co.jp/index_e.html