

TH Series / Threaded Insert

Can Change through hole to threaded hole (M1.0, M1.2, M1.4, M1.6, M1.7, M2, M2.6, M3).
Taping type has adsorption seal for vacuum pick. It needs to be removed after reflow.

Material.....Brass

Finish.....Plated Sn over Ni base

Current Capacity

TH-0.8-M1.0..... 10A TH-1.6-M1.7..... 15A

TH-0.8-M1.2..... 12A TH-1.6-M2..... 20A

TH-0.8-M1.4..... 12A TH-1.6-M2.6..... 20A

TH-1.6-M1.6..... 15A TH-1.6-M3..... 30A

Tightening Torque

TH-0.8-M1.0..... 0.3kgf-cm(2.94N-cm)and below

TH-0.8-M1.2..... 0.6kgf-cm(5.88N-cm)and below

TH-0.8-M1.4..... 1.0kgf-cm(9.8N-cm)and below

TH-1.6-M1.6..... 1.5kgf-cm(14.7N-cm)and below

TH-1.6-M1.7..... 1.5kgf-cm(14.7N-cm)and below

TH-1.6-M2..... 1.5kgf-cm(14.7N-cm)and below

TH-1.6-M2.6..... 3kgf-cm(29.4N-cm)and below

TH-1.6-M3..... 5kgf-cm(49N-cm)and below(X-direction)

3kgf-cm(29.4N-cm)and below(Y-direction)

Adaptive PCB Thickness..... 1.6t and over(TH-1.6 series), 0.8t and over(TH-0.8series)
(other PCB thickness applicable)

Recommended Metal Mask Thickness..... 150 ~ 200 μm

Product N/O

N/O	A	B	C	D	M	Package
TH-0.8-M1.0	2.5	1.6	0.7	0.5	M1.0 P = 0.25	1000/reel
TH-0.8-M1.2	2.5	1.8	0.7	0.5	M1.2 P = 0.25	1000/reel
TH-0.8-M1.4	2.7	2.0	0.7	0.7	M1.4 P = 0.3	1000/reel
TH-1.6-M1.6	3.0	2.2	1.5	0.3	M1.6 P = 0.35	900/reel
TH-1.6-M1.7	3.0	2.3	1.5	0.3	M1.7 P = 0.35	900/reel
TH-1.6-M2	4.0	2.5	1.5	0.3	M2 P = 0.4	900/reel
TH-1.6-M2.6	4.5	3.1	1.5	0.3	M2.6 P = 0.45	900/reel
TH-1.6-M3	5.0	3.5	1.5	0.3	M3 P = 0.5	900/reel

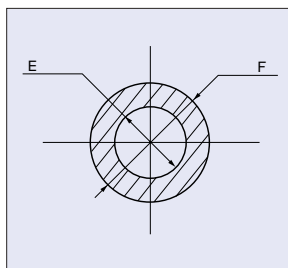
You can order bulk type(no adsorption seal)

TH-1.6-M3-B

└ add -B for bulk type(100/package)

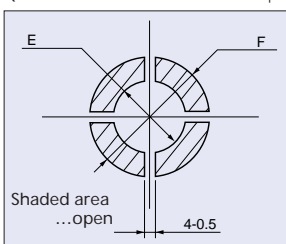
Mounter should have automatic recognition system

Recommended Land Diameter



Recommended Metal mask

(Recommended Metal Mask Thickness: 150 ~ 200 μm)

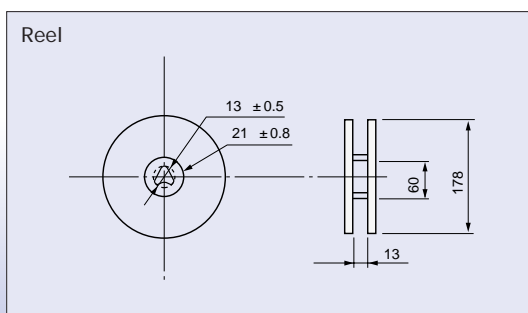


+0.1

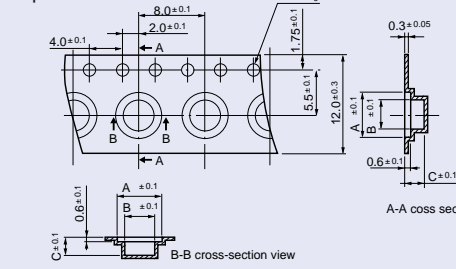
-0

N/O	E	F
TH-0.8-M1.0	1.8	3.5
TH-0.8-M1.2	2.0	3.5
TH-0.8-M1.4	2.2	4.0
TH-1.6-M1.6	2.4	4.0
TH-1.6-M1.7	2.5	4.0
TH-1.6-M2	2.7	5.0
TH-1.6-M2.6	3.3	5.5
TH-1.6-M3	3.7	6.0

Dimensions



Tape



	A	B	C
TH-0.8-M1.0	2.7	2.7	1.6
TH-0.8-M1.2	2.7	2.7	1.6
TH-0.8-M1.4	2.9	2.9	1.8
TH-1.6-M1.6	3.2	3.2	2.2
TH-1.6-M1.7	3.2	3.2	2.2
TH-1.6-M2	4.5	2.8	2.3
TH-1.6-M2.6	5.0	3.4	2.3
TH-1.6-M3	5.5	3.8	2.3

Screws can be inserted both from component and from solder side

For Thru Hole PCB only

MAC8

No. 1 distributor of MAC8

SHINDENKIZAI Co., LTD.

Contact

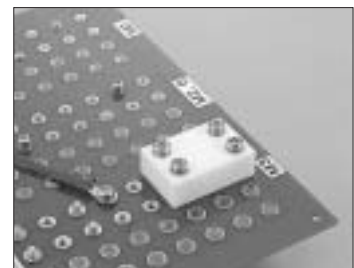
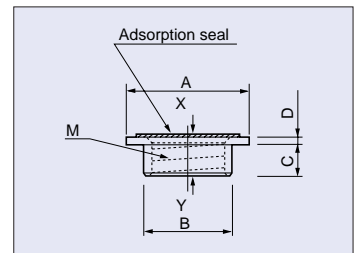
e-mail: sdk@mac8sdk.co.jp FAX: +81-3-3253-5965

http://www.mac8sdk.co.jp/index_e.html

PAT.P



Dimensions



TH-1.6 Series / Threaded Spacer

This Spacer is mounted on PCB by inserting into through-hole.
Screws can be inserted both from component and from solder side
Taping type has adsorption seal for vacuum pick. It needs to be removed after reflow.

Material.....Brass

Finish.....Plated Sn over Ni base

Current capacity

TH-1.6- -M2..... 20A

TH-1.6- -M2.6..... 20A

TH-1.6- -M3..... 30A

Tightening Torque

TH-1.6- -M2..... 1.5kgf-cm(14.7N-cm)and below

TH-1.6- -M2.6..... 3kgf-cm(29.4N-cm) and below

TH-1.6- -M3..... 5kgf-cm(49N-cm)and below(X-direction)
3kgf-cm(29.4N-cm) and below(Y-direction)

Adaptive PCB Thickness..... 1.6t and over

(other PCB thickness applicable)

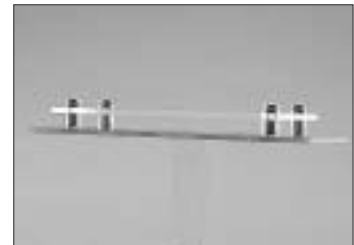
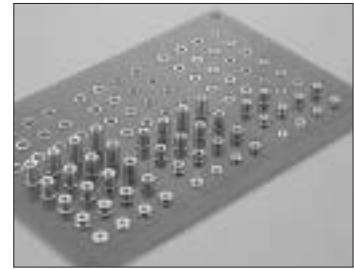
Mounter should have automatic recognition system

Product N/O

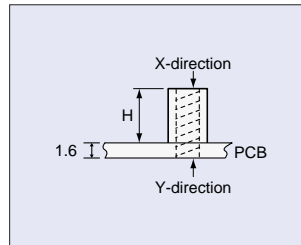
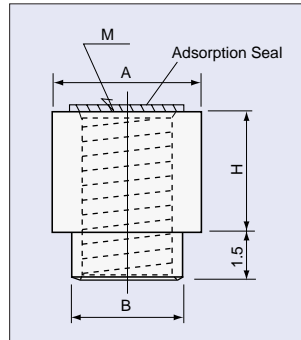
N/O	A	B	H	M	Package
TH-1.6-0.5-M2	4.0	2.5	0.5	M2	450
TH-1.6-1.0-M2	4.0	2.5	1.0	M2	450
TH-1.6-1.5-M2	4.0	2.5	1.5	M2	450
TH-1.6-2.0-M2	4.0	2.5	2.0	M2	450
TH-1.6-2.5-M2	4.0	2.5	2.5	M2	350
TH-1.6-3.0-M2	4.0	2.5	3.0	M2	350
TH-1.6-3.5-M2	4.0	2.5	3.5	M2	350
TH-1.6-4.0-M2	4.0	2.5	4.0	M2	250
TH-1.6-4.5-M2	4.0	2.5	4.5	M2	250
TH-1.6-5.0-M2	4.0	2.5	5.0	M2	250
TH-1.6-0.5-M2.6	4.5	3.1	0.5	M2.6	450
TH-1.6-1.0-M2.6	4.5	3.1	1.0	M2.6	450
TH-1.6-1.5-M2.6	4.5	3.1	1.5	M2.6	450
TH-1.6-2.0-M2.6	4.5	3.1	2.0	M2.6	450
TH-1.6-2.5-M2.6	4.5	3.1	2.5	M2.6	350
TH-1.6-3.0-M2.6	4.5	3.1	3.0	M2.6	350
TH-1.6-3.5-M2.6	4.5	3.1	3.5	M2.6	350
TH-1.6-4.0-M2.6	4.5	3.1	4.0	M2.6	250
TH-1.6-4.5-M2.6	4.5	3.1	4.5	M2.6	250
TH-1.6-5.0-M2.6	4.5	3.1	5.0	M2.6	250
TH-1.6-5.5-M2.6	4.5	3.1	5.5	M2.6	350
TH-1.6-6.0-M2.6	4.5	3.1	6.0	M2.6	350
TH-1.6-6.5-M2.6	4.5	3.1	6.5	M2.6	300
TH-1.6-7.0-M2.6	4.5	3.1	7.0	M2.6	300
TH-1.6-7.5-M2.6	4.5	3.1	7.5	M2.6	300
TH-1.6-8.0-M2.6	4.5	3.1	8.0	M2.6	300
TH-1.6-0.5-M3	5.0	3.5	0.5	M3	450
TH-1.6-1.0-M3	5.0	3.5	1.0	M3	450
TH-1.6-1.5-M3	5.0	3.5	1.5	M3	450
TH-1.6-2.0-M3	5.0	3.5	2.0	M3	450
TH-1.6-2.5-M3	5.0	3.5	2.5	M3	350
TH-1.6-3.0-M3	5.0	3.5	3.0	M3	350
TH-1.6-3.5-M3	5.0	3.5	3.5	M3	350
TH-1.6-4.0-M3	5.0	3.5	4.0	M3	250
TH-1.6-4.5-M3	5.0	3.5	4.5	M3	250
TH-1.6-5.0-M3	5.0	3.5	5.0	M3	250
TH-1.6-5.5-M3	5.0	3.5	5.5	M3	350
TH-1.6-6.0-M3	5.0	3.5	6.0	M3	350
TH-1.6-6.5-M3	5.0	3.5	6.5	M3	300
TH-1.6-7.0-M3	5.0	3.5	7.0	M3	300
TH-1.6-7.5-M3	5.0	3.5	7.5	M3	300
TH-1.6-8.0-M3	5.0	3.5	8.0	M3	300
TH-1.6-8.5-M3	5.0	3.5	8.5	M3	250
TH-1.6-9.0-M3	5.0	3.5	9.0	M3	250
TH-1.6-9.5-M3	5.0	3.5	9.5	M3	250
TH-1.6-10-M3	5.0	3.5	10	M3	250

For Throgh Hole PCB only

PAT.P



Dimensions



M2 P = 0.4

M2.6 P = 0.45

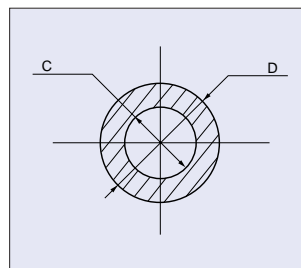
M3 P = 0.5

You can order bulk type(no adsorption seal)

TH-1.6-0.5-M2-B

└ add -B for bulk type(100/package)

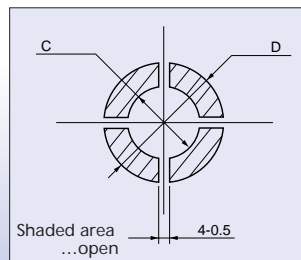
Recommended Land Diameter



N/O	+0.1 -0	
	C	D
TH-1.6- -M2	2.7	5.0
TH-1.6- -M2.6	3.3	5.5
TH-1.6- -M3	3.7	6.0

Recommended Metal mask

(Recommended Metal Mask Thickness:150 ~ 200 μm)



N/O	+0.1 -0	
	C	D
TH-1.6- -M2	2.7	5.0
TH-1.6- -M2.6	3.3	5.5
TH-1.6- -M3	3.7	6.0

MAC8

No.1 distributor of MAC8

SHINDENKIZAI Co., LTD.

Contact

e-mail: sdk@mac8sdk.co.jp FAX: +81-3-3253-5965

http://www.mac8sdk.co.jp/index_e.html