

MAPD-010362-C20FA0

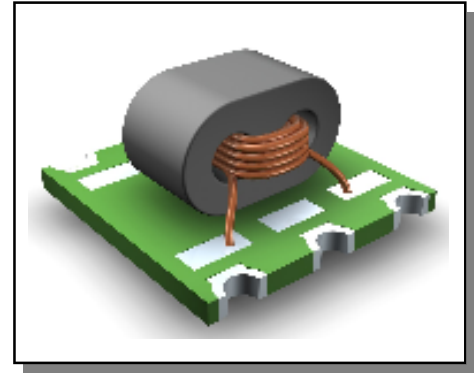


Power divider, 2 way, 0 degree
5 MHz - 1000 MHz

Rev. V2

Features

- ◆ 2 way, 0 degree
- ◆ Surface mount
- ◆ Available on tape and reel
- ◆ 260°C reflow compatible
- ◆ RoHS Compliant and Pb free
- ◆ Excellent temperature stability



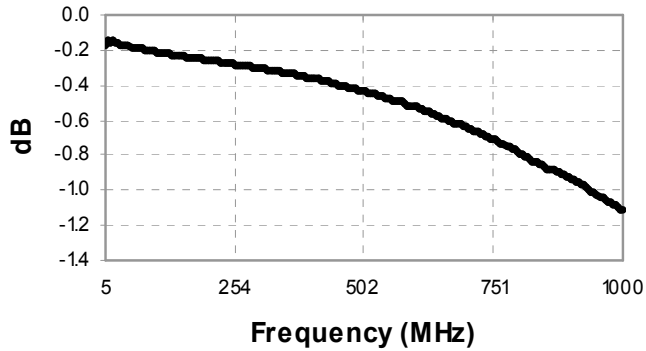
Electrical Specifications: $Z_0 = 75\Omega$, $T_A = 25^\circ\text{C}$, $P_{in} = 0\text{dBm}$

Parameter	Conditions	Units	Min	Typ	Max
Frequency Range		MHz	5		1000
Impedance		Ω		75	
Power split		dB		3	
Insertion Loss	5 - 40 MHz	dB	-	0.2	1.0
	40 - 400 MHz	dB	-	0.3	0.7
	400 - 500 MHz	dB	-	0.4	0.7
	500 - 1000 MHz	dB	-	0.7	1.2
Amplitude Balance	5 - 40 MHz	dB	-	-	± 0.6
	40 - 400 MHz	dB	-	-	± 0.4
	400 - 500 MHz	dB	-	-	± 0.6
	500 - 1000 MHz	dB	-	-	± 0.7
Phase Balance	5 - 40 MHz	Degree	-	-	± 3.0
	40 - 400 MHz	Degree	-	-	± 3.0
	400 - 500 MHz	Degree	-	-	± 3.0
	500 - 1000 MHz	Degree	-	-	± 5.0
Input Return Loss	5 - 40 MHz	dB	15	38	-
	40 - 870 MHz	dB	17	25	-
	870 - 1000 MHz	dB	16	19	-
Output Return Loss	5 - 40 MHz	dB	14	29	-
	40 - 870 MHz	dB	15	21	-
	870 - 1000 MHz	dB	13	15	-
Isolation	5 - 40 MHz	dB	19	36	-
	40 - 400 MHz	dB	19	30	-
	400 - 500 MHz	dB	16	29	-
	500 - 1000 MHz	dB	10	25	-

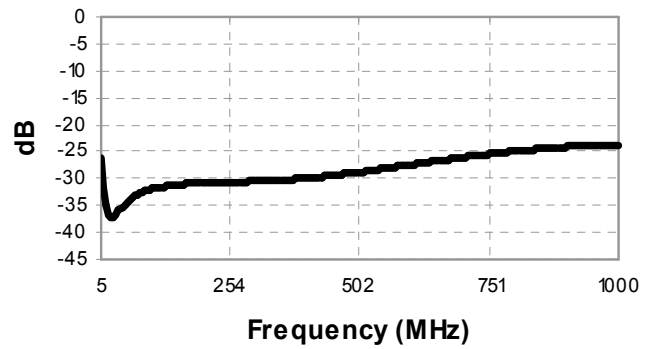
Power divider, 2 way, 0 degree
5 MHz - 1000 MHz

Rev. V2

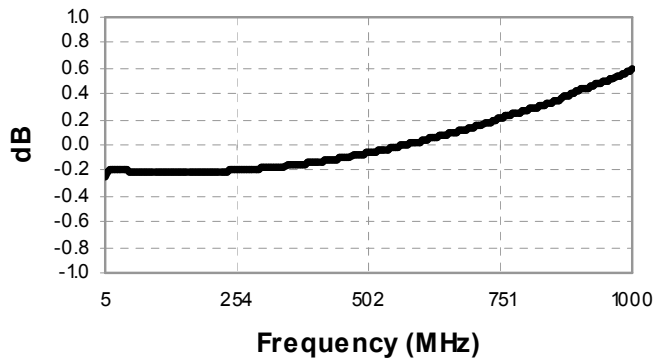
Insertion Loss : Pin6—Pin4



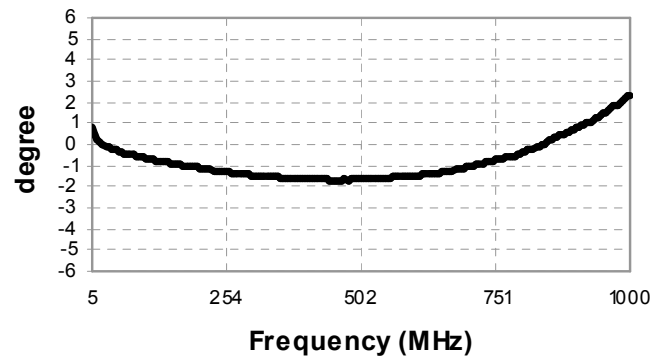
Isolation:



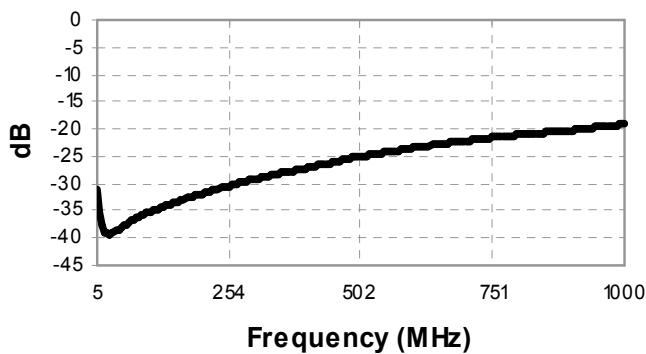
Amplitude Balance:



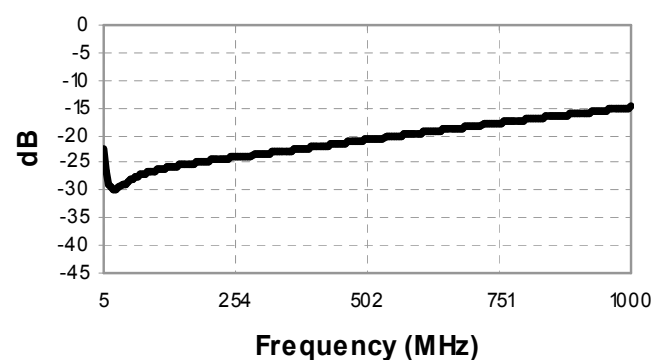
Phase Balance :



Input Return Loss:

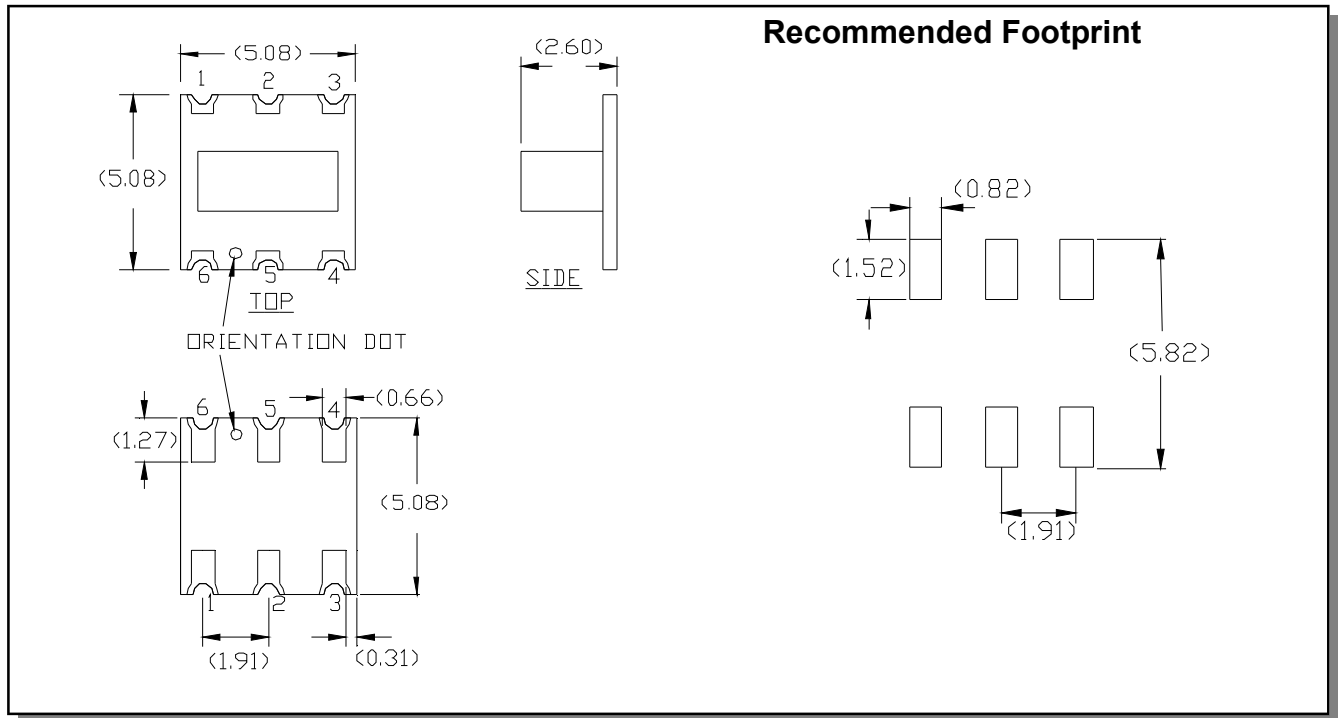


Output Return loss:



Electrical Specifications: $Z_0 = 75\Omega$, $T_A = 25^\circ\text{C}$, $P_{in} = 0\text{dBm}$

Outline Drawing

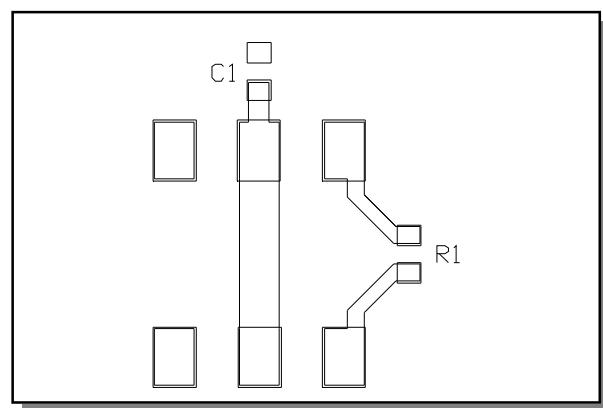


1. Dimensions in mm.
2. Tolerance: $\pm 0.2\text{mm}$ unless otherwise noted.
3. Model number and lot code are printed on the reel.
4. Finish: Electroless nickel immersion gold

Pin Configuration

Pin No.	Function
1	Ground
2	Not connected
3	Output port 2
4	Output port 1
5	Not connected
6	Input

Recommend PCB Layout



MAPD-010362-C20FA0



Power divider, 2 way, 0 degree
5 MHz - 1000 MHz

Rev. V2

Tape & Reel Information

Parameter	Units	Value
Qty per reel	-	2000
Reel Size	mm	330
Tape Width	mm	12.00
Pitch	mm	8.00
Ao	mm	5.30
Bo	mm	5.30
Ko	mm	2.70
Orientation	-	F2

Reference Application Note ANI-019 for orientation

Ordering Information

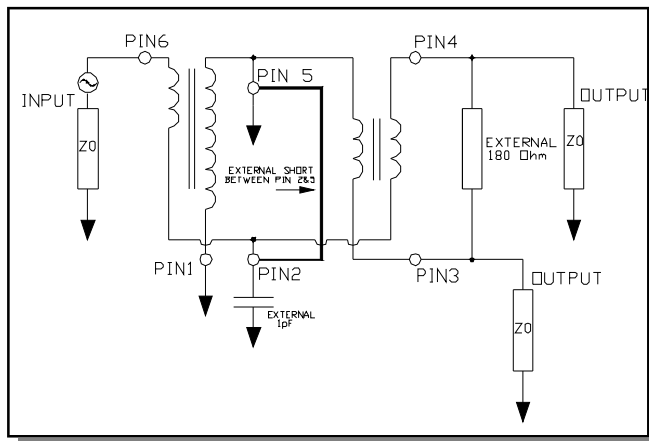
Part Number	Description
MAPD-010362-C20FA0	Tape & Reel
MAPD-010362-C20FTB	Customer Evaluation Board

Recommended Maximum Ratings

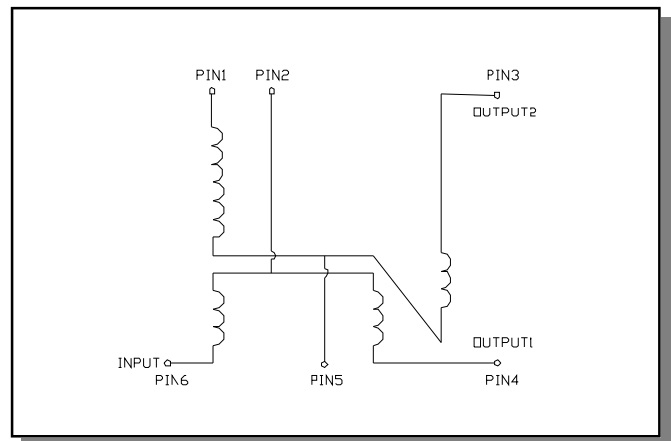
Parameter	Units	Min	Max
Input Power	mW		250
DC Current	mA		200
Operating Temperature Range	°C	-40	+85
Storage Temperature Range	°C	-55	+125

Full temperature plots available on request

Application Circuit



Schematic



ECO History

Rev	Date	Description	ECN NO.
V1	24 May 2010	Created datasheet	20100469
V2	22 July 2010	Corrected reel size to 2000	20100936

4

ADVANCED: Data Sheets contain information regarding a product M/A-COM Technology Solutions is considering for development. Performance is based on target specifications, simulated results, and/or prototype measurements. Commitment to develop is not guaranteed.
PRELIMINARY: Data Sheets contain information regarding a product M/A-COM Technology Solutions has under development. Performance is based on engineering tests. Specifications are typical. Mechanical outline has been fixed. Engineering samples and/or test data may be available. Commitment to produce in volume is not guaranteed.

• North America Tel: 800.366.2266 • Europe Tel: +353.21.244.6400
 • India Tel: +91.80.43537383 • China Tel: +86.21.2407.1588
 Visit www.macomtech.com for additional data sheets and product information.

M/A-COM Technology Solutions Inc. and its affiliates reserve the right to make changes to the product(s) or information contained herein without notice.