

2 Way 0° Power Divider 5 to 1218 MHz

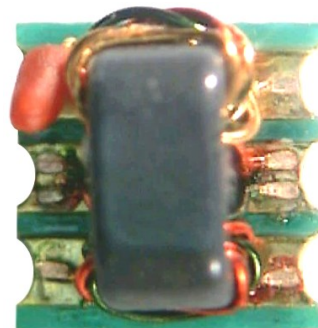
Rev. V5

Features

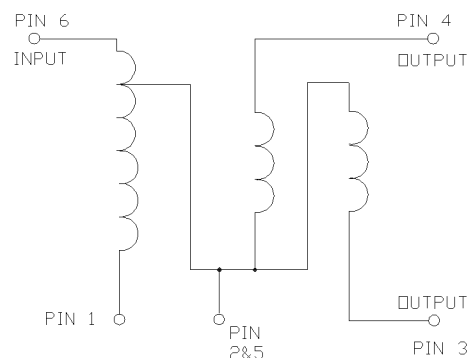
- Surface Mount
- 2 way 0 degree
- 260°C Reflow Compatible
- RoHS Compliant, lead free
- Available on Tape and Reel.

Description

M/A-COM Technology Solutions MAPD-010274-C209C0 is a 2 way 0 degree RF power divider in a low cost, surface mount package. Ideally suited for high volume CATV/VSAT applications.



Schematic



Ordering Information

Part number	Description
MAPD-010274-C209C0	2000 piece reel
MAPD-010274-C209TB	Customer Test Board

Pin Configuration

Pin No.	Function
1	Ground
2	External 0.5pF Capacitor
3	Output Port 2
4	Output Port 1
5	External 0.5pF Capacitor
6	Input

2 Way 0° Power Divider 5 to 1218 MHz

Rev. V5

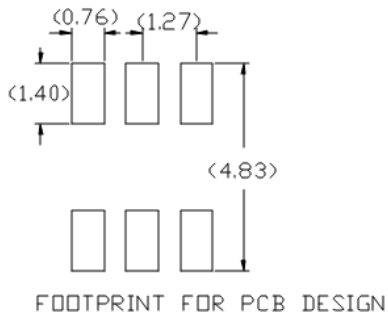
Electrical Specifications: $T_A = 25^\circ\text{C}$, 0dBm, $Z_0 = 75\Omega$, $P_{in} = 0\text{dBm}$

Parameter	Test Conditions	Units	Min	Typ	Max
Insertion Loss 1 (Pin6-Pin4)	5 - 500 MHz	dB	-	0.15	0.3
	500 - 1000 MHz	dB	-	0.25	0.7
	1000 - 1218MHz	dB	-	0.65	0.9
Insertion Loss 2 (Pin6-Pin3)	5 - 500 MHz	dB	-	0.45	0.6
	500 - 1000 MHz	dB	-	0.65	1.1
	1000 - 1218MHz	dB	-	1.1	1.5
Amplitude Balance	5 - 500 MHz	dB	-	0.20	± 0.4
	500 - 1000 MHz	dB	-	0.28	± 0.5
	1000 - 1218 MHz	dB	-	0.35	± 0.7
Phase Balance	5 - 500 MHz	°	-	0.5	± 2
	500 - 1000 MHz	°	-	0.65	± 3
	1000 - 1218 MHz	°	-	0.55	± 4
Input Return Loss	5 - 500 MHz	dB	20	40	-
	500 - 1000 MHz	dB	19	30	-
	1000 - 1218 MHz	dB	15	14	-
Output Return Loss 1 (Pin1-Pin4)	5 - 500 MHz	dB	20	29	-
	500 - 1000 MHz	dB	18	33	-
	1000 - 1218 MHz	dB	15	19	-
Output Return Loss 2 (Pin2-Pin3)	5 - 500 MHz	dB	20	33	-
	500 - 1000 MHz	dB	16	21	-
	1000 - 1218 MHz	dB	13	16	-
Isolation (between outputs)	5 - 500 MHz	dB	20	24	-
	500 - 1000 MHz	dB	16	20	-
	1000 - 1218 MHz	dB	15	18	-

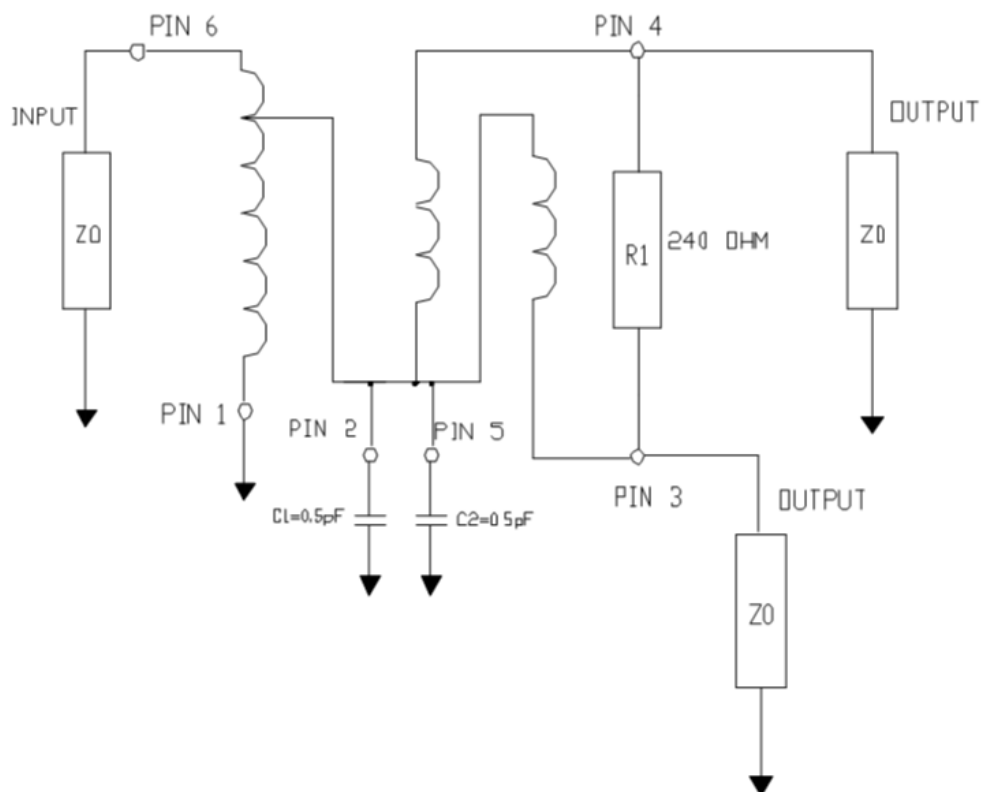
Recommended Maximum Ratings

Parameter	Value
Input power	1W
Internal Load Dissipation	0.125W
Operating Temperature	-40°C to +85°C
Storage Temperature	-55°C to +100°C

PCB Layout



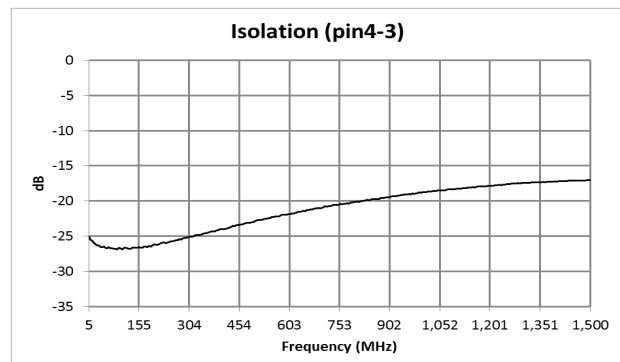
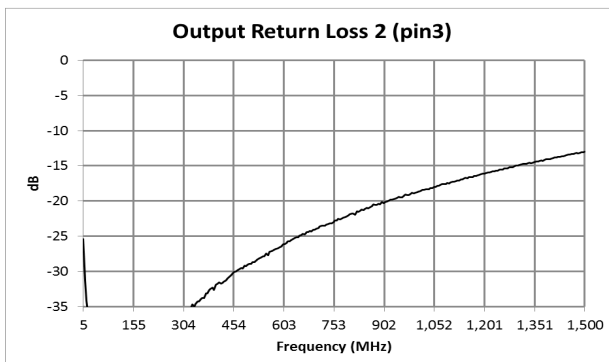
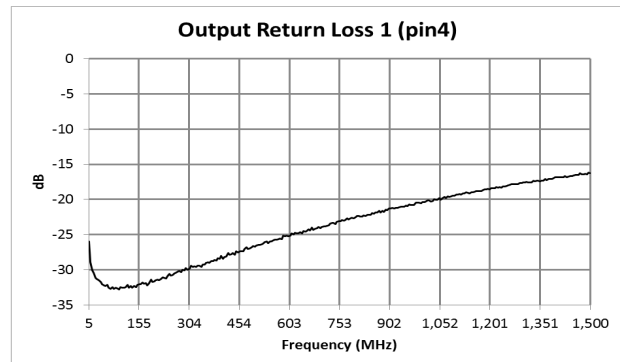
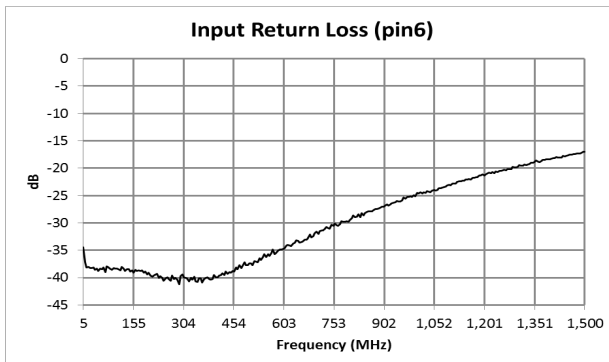
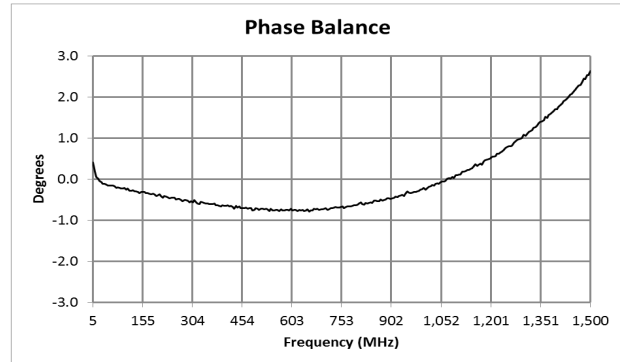
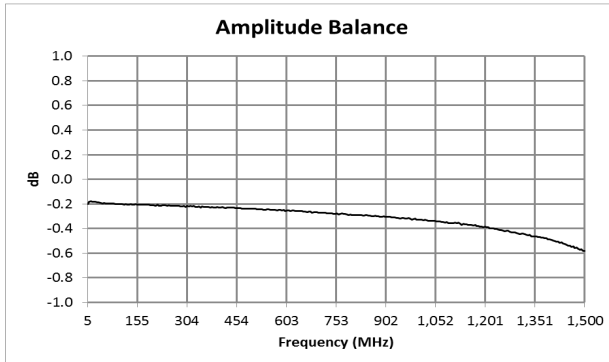
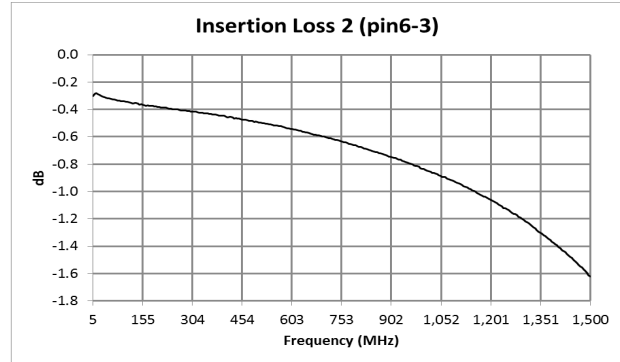
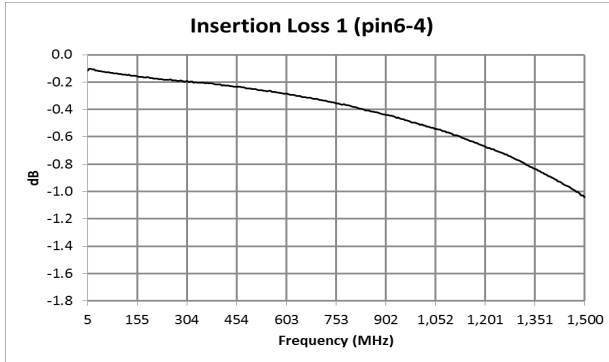
Application Schematic



2 Way 0° Power Divider 5 to 1218 MHz

Rev. V5

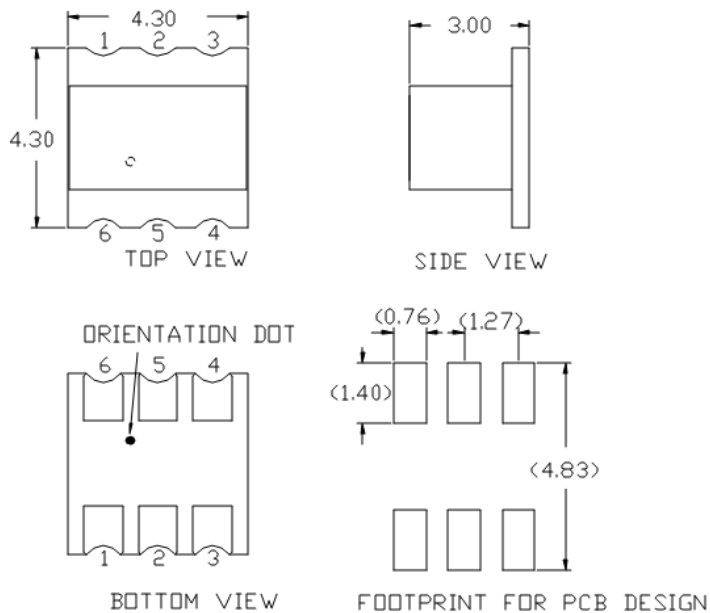
Electrical Specifications: $T_A = 25^\circ\text{C}$, 0dBm, $Z_0 = 75\Omega$, $P_{in} = 0\text{dBm}$



2 Way 0° Power Divider 5 to 1218 MHz

Rev. V5

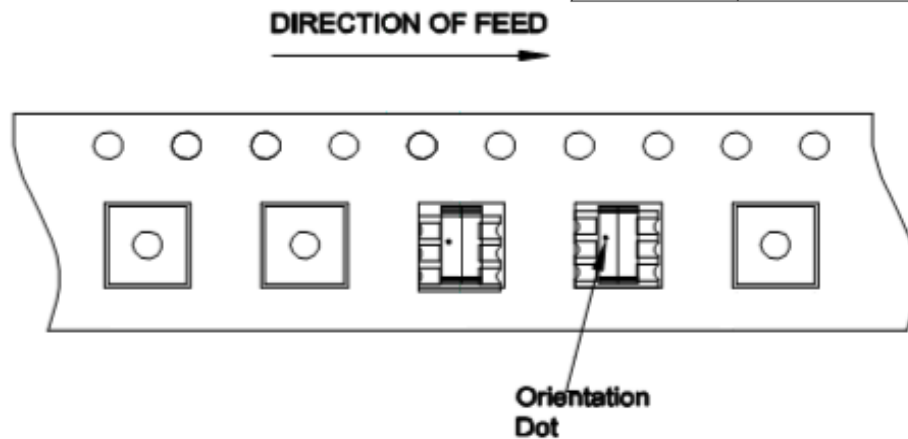
Component dimensions:



Dimensions in mm Tolerance: .xx ± .1, .xxx ± .010, unless otherwise stated

Item	Dimension
Ao	4.60mm +/- 0.1mm
Bo	4.60mm +/- 0.1mm
Ko	3.30mm +/- 0.1mm
W	12.00mm +/- 0.3mm
P1	8.00mm +/- 0.1mm

Carrier Tape Orientation



M/A-COM Technology Solutions Inc. All rights reserved.

Information in this document is provided in connection with M/A-COM Technology Solutions Inc ("MACOM") products. These materials are provided by MACOM as a service to its customers and may be used for informational purposes only. Except as provided in MACOM's Terms and Conditions of Sale for such products or in any separate agreement related to this document, MACOM assumes no liability whatsoever. MACOM assumes no responsibility for errors or omissions in these materials. MACOM may make changes to specifications and product descriptions at any time, without notice. MACOM makes no commitment to update the information and shall have no responsibility whatsoever for conflicts or incompatibilities arising from future changes to its specifications and product descriptions. No license, express or implied, by estoppels or otherwise, to any intellectual property rights is granted by this document.

THESE MATERIALS ARE PROVIDED "AS IS" WITHOUT WARRANTY OF ANY KIND, EITHER EXPRESS OR IMPLIED, RELATING TO SALE AND/OR USE OF MACOM PRODUCTS INCLUDING LIABILITY OR WARRANTIES RELATING TO FITNESS FOR A PARTICULAR PURPOSE, CONSEQUENTIAL OR INCIDENTAL DAMAGES, MERCHANTABILITY, OR INFRINGEMENT OF ANY PATENT, COPYRIGHT OR OTHER INTELLECTUAL PROPERTY RIGHT. MACOM FURTHER DOES NOT WARRANT THE ACCURACY OR COMPLETENESS OF THE INFORMATION, TEXT, GRAPHICS OR OTHER ITEMS CONTAINED WITHIN THESE MATERIALS. MACOM SHALL NOT BE LIABLE FOR ANY SPECIAL, INDIRECT, INCIDENTAL, OR CONSEQUENTIAL DAMAGES, INCLUDING WITHOUT LIMITATION, LOST REVENUES OR LOST PROFITS, WHICH MAY RESULT FROM THE USE OF THESE MATERIALS.

MACOM products are not intended for use in medical, lifesaving or life sustaining applications. MACOM customers using or selling MACOM products for use in such applications do so at their own risk and agree to fully indemnify MACOM for any damages resulting from such improper use or sale.