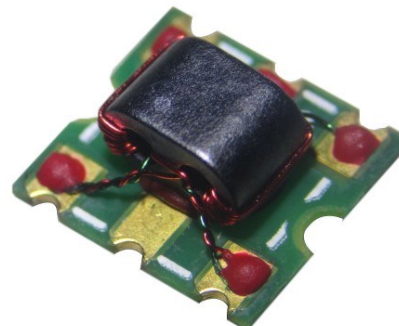


Features

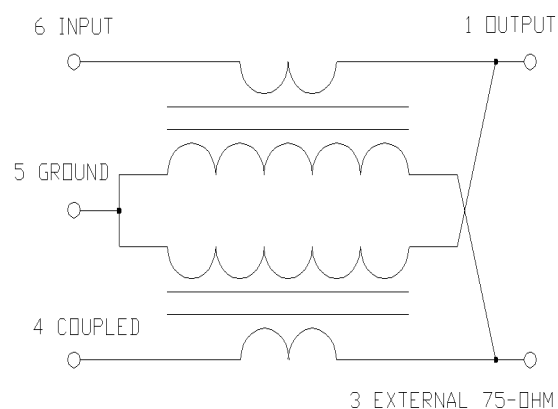
- Surface mount
- 17.5dB Coupler
- 260°C reflow compatible
- RoHS compliant and lead free
- Available on tape and reel

Description

The MACP-011029 is a 17.5dB coupler in a low cost, surface mount package. Ideally suited for broadband CATV applications.



Functional Schematic



Ordering Information

Part Number	Package
MACP-011029	Tape & Reel
MACP-011029-TB	Customer Test Board

Pin Configuration

Pin no.	Function
1	Output
2	Not Connected
3	External 75 Ohm
4	Coupled
5	Ground
6	Input

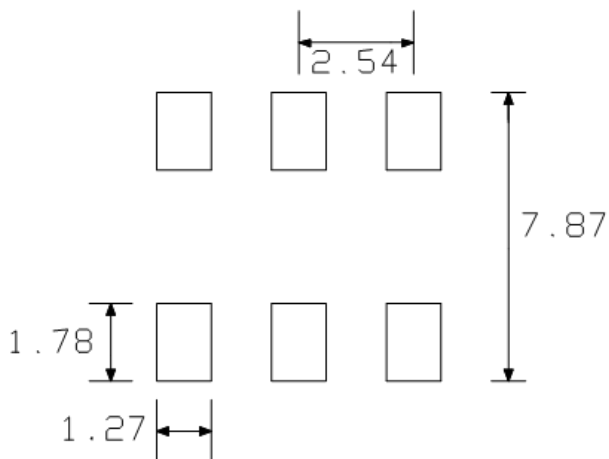
Electrical Specifications: $T_A = 25^\circ\text{C}$, $Z_0 = 75 \Omega$, $P_{in} = 0 \text{ dBm}$

Parameter	Conditions	Units	Min	Typ	Max
Frequency Range		MHz	5		1,218
Impedance		Ω	-	75	
Coupling (pin6-4)	5 - 1218 MHz	dB	-18	17.5	-17
Main Line Loss (pin6-1), (pin4-3)	5 - 870 MHz	dB	-	0.5	0.65
	870 - 1002 MHz	dB	-	0.6	0.75
	1002 - 1218 MHz	dB	-	0.8	0.85
Input Return Loss (pin6)	5 - 870 MHz	dB	20	24	-
	870 - 1002 MHz	dB	20	23	-
	1002 - 1218 MHz	dB	20	22	-
Output Return Loss (pin1)	5 - 870 MHz	dB	20	22	-
	870 - 1002 MHz	dB	20	23	-
	1002 - 1218 MHz	dB	18	20	-
Coupled Return Loss (pin4)	5 - 870 MHz	dB	20	24	-
	870 - 1002 MHz	dB	20	23	-
	1002 - 1218 MHz	dB	18	20	-
Directivity	5 - 870 MHz	dB	13	15	-
	870 - 1002 MHz	dB	12	14	-
	1002 - 1218 MHz	dB	11	13	-

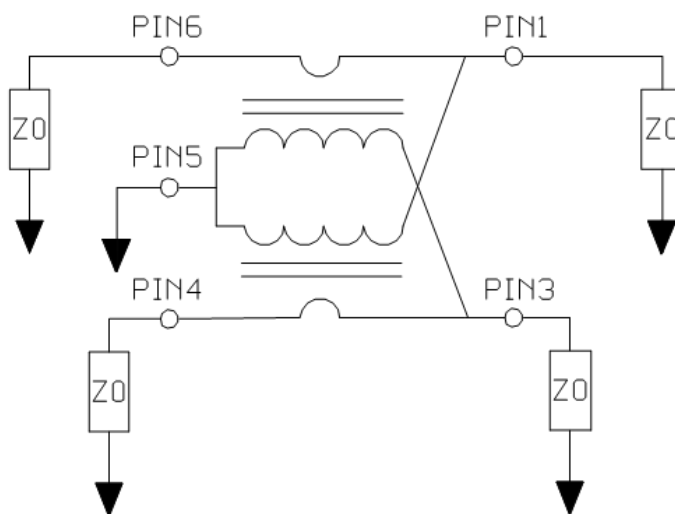
Recommended Maximum Ratings

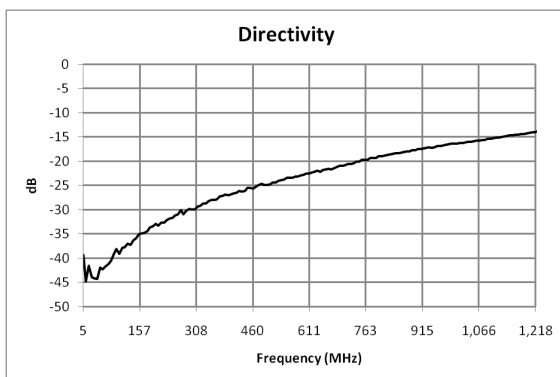
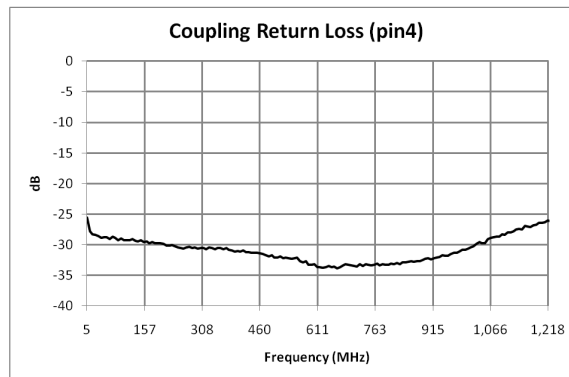
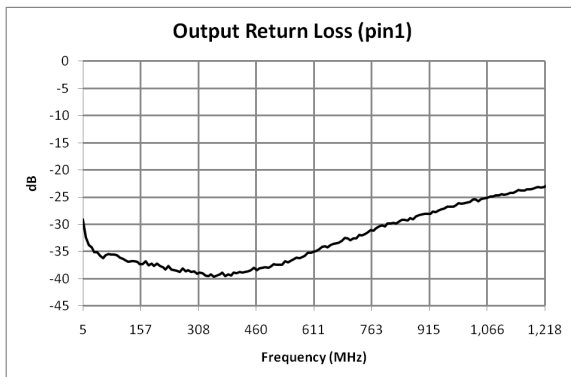
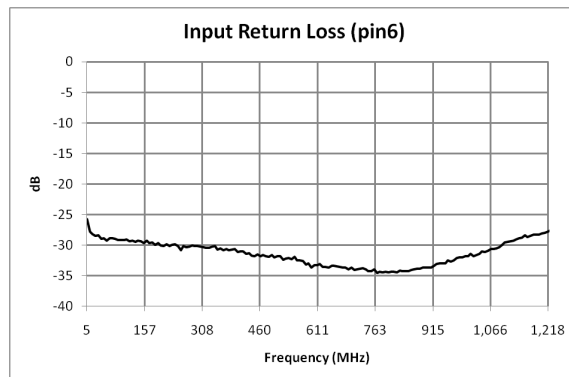
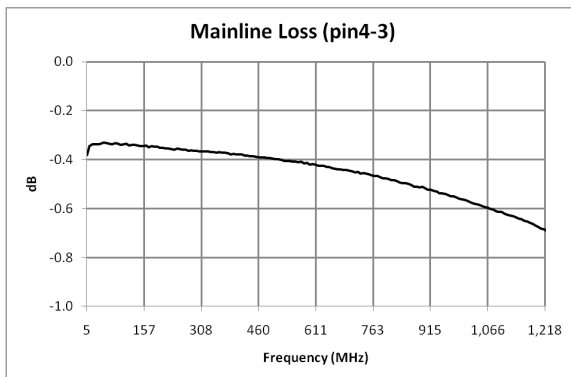
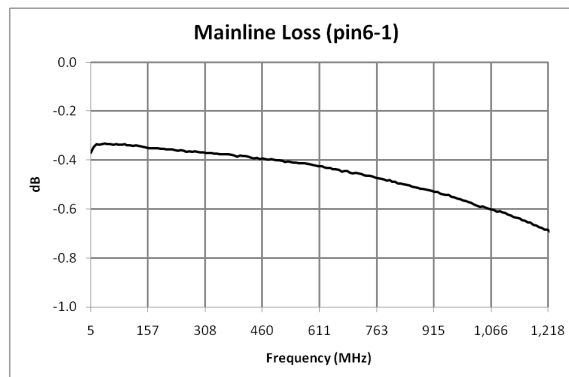
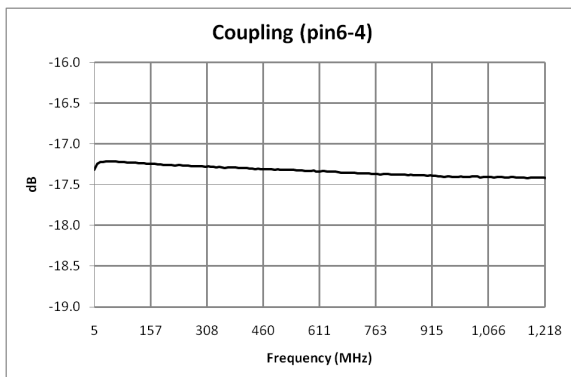
Parameter	Units	Min	Max
Input Power	W		0.5
DC Current	mA		500
Operating Temperature Range	$^\circ\text{C}$	-40	+85

PCB Layout

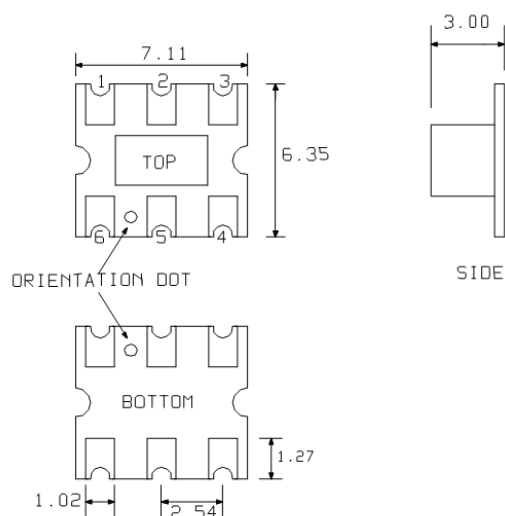


Application Schematic





Outline Drawing

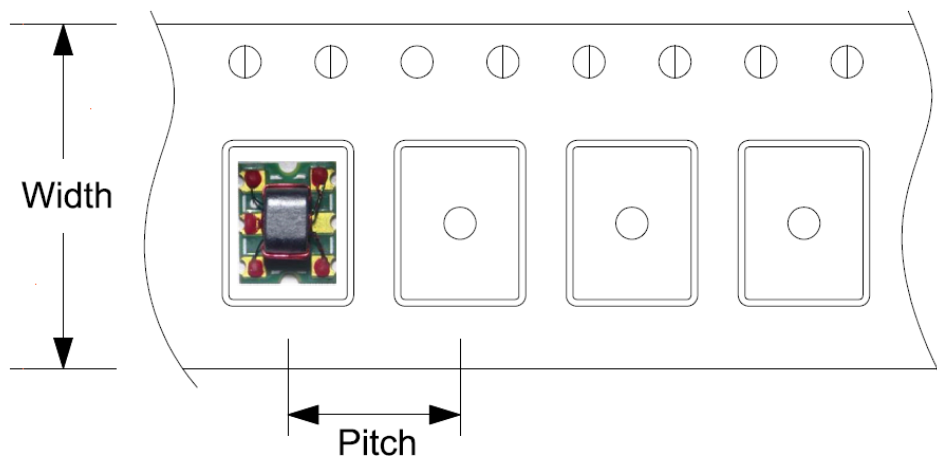


Tape & Reel Information

Parameter	Units	Value
Qty per reel	-	900
Reel Size	mm	330
Tape Width	mm	16.00
Pitch	mm	12.00
Orientation	-	F15
Reference Application Note ANI-019 for orientation		

1. Dimensions in mm.
2. Tolerance: ± 0.2 mm unless otherwise noted.
3. Model number and lot code printed on reel.
4. Plating finish: ENIG on both sides, 0.05 to 0.1 μ m gold over 3 to 6 μ m nickel

Carrier Tape Orientation



M/A-COM Technology Solutions Inc. All rights reserved.

Information in this document is provided in connection with M/A-COM Technology Solutions Inc ("MACOM") products. These materials are provided by MACOM as a service to its customers and may be used for informational purposes only. Except as provided in MACOM's Terms and Conditions of Sale for such products or in any separate agreement related to this document, MACOM assumes no liability whatsoever. MACOM assumes no responsibility for errors or omissions in these materials. MACOM may make changes to specifications and product descriptions at any time, without notice. MACOM makes no commitment to update the information and shall have no responsibility whatsoever for conflicts or incompatibilities arising from future changes to its specifications and product descriptions. No license, express or implied, by estoppels or otherwise, to any intellectual property rights is granted by this document.

THESE MATERIALS ARE PROVIDED "AS IS" WITHOUT WARRANTY OF ANY KIND, EITHER EXPRESS OR IMPLIED, RELATING TO SALE AND/OR USE OF MACOM PRODUCTS INCLUDING LIABILITY OR WARRANTIES RELATING TO FITNESS FOR A PARTICULAR PURPOSE, CONSEQUENTIAL OR INCIDENTAL DAMAGES, MERCHANTABILITY, OR INFRINGEMENT OF ANY PATENT, COPYRIGHT OR OTHER INTELLECTUAL PROPERTY RIGHT. MACOM FURTHER DOES NOT WARRANT THE ACCURACY OR COMPLETENESS OF THE INFORMATION, TEXT, GRAPHICS OR OTHER ITEMS CONTAINED WITHIN THESE MATERIALS. MACOM SHALL NOT BE LIABLE FOR ANY SPECIAL, INDIRECT, INCIDENTAL, OR CONSEQUENTIAL DAMAGES, INCLUDING WITHOUT LIMITATION, LOST REVENUES OR LOST PROFITS, WHICH MAY RESULT FROM THE USE OF THESE MATERIALS.

MACOM products are not intended for use in medical, lifesaving or life sustaining applications. MACOM customers using or selling MACOM products for use in such applications do so at their own risk and agree to fully indemnify MACOM for any damages resulting from such improper use or sale.