

PASSIVE POWER FACTOR CORRECTION INDUCTORS



P191 SERIES



- Design for power factor correction with high flux density material
- 20% to 50% smaller than traditional designs
- Switching Frequency: 32KHz Min.
- AC Line Voltage: 265Vac Max.
- Operating Temperature: -40°C to +130°C
- Custom Design Available

ELECTRICAL PARAMETERS @ 25°C

Part Number	L ($\mu\text{H} \pm 15\%$)	R_{DC} (Ω MAX)	I_{DC} (A)	DIM A Max (mm)	DIM B Max (mm)	DIM C Nom (mm)	DIM D Nom (mm)	DIM E Nom (mm)
P191-301-1	300	0.50	1.0	21.0	11.0	9.0	18.0	0.40
501-1	500	0.65	1.0	21.0	11.0	9.0	18.0	0.40
751-1	750	0.90	1.0	23.0	12.5	10.0	20.0	0.40
102-1	1000	1.20	1.0	25.0	11.0	9.0	22.5	0.40
152-1	1500	1.20	1.0	27.5	12.5	10.5	25.0	0.40
202-1	2000	2.00	1.0	29.0	13.5	11.0	26.0	0.40
P191-301-2	300	0.32	2.0	26.0	12.0	10.0	23.0	0.60
501-2	500	0.40	2.0	29.0	14.0	11.0	26.0	0.60
751-2	750	0.60	2.0	31.0	17.0	13.0	28.0	0.60
102-2	1000	0.80	2.0	32.0	18.0	14.0	29.0	0.60
152-2	1500	0.85	2.0	34.0	19.0	15.5	30.0	0.60
202-2	2000	0.95	2.0	34.0	19.0	15.5	30.0	0.60
P191-301-3	300	0.20	3.0	30.0	15.0	11.5	26.5	0.80
501-3	500	0.30	3.0	31.0	16.5	12.5	27.5	0.80
751-3	750	0.32	3.0	34.0	18.0	15.5	31.0	0.80
102-3	1000	0.40	3.0	36.0	20.0	16.0	32.0	0.80
152-3	1500	0.43	3.0	43.0	21.0	16.0	39.0	0.80
P191-301-5	300	0.10	5.0	35.0	20.0	16.0	31.5	1.00
501-5	500	0.15	5.0	42.0	17.0	15.0	37.5	1.00
751-5	750	0.18	5.0	47.0	21.0	18.0	43.5	1.00
102-5	1000	0.20	5.0	49.0	23.0	19.0	45.0	1.00
152-5	1500	0.26	5.0	55.0	25.0	20.0	51.5	1.00
P191-301-7	300	0.06	7.0	45.0	23.0	18.0	39.0	1.30
501-7	500	0.10	7.0	51.0	26.0	20.0	46.0	1.30
751-7	750	0.13	7.0	57.0	27.0	21.0	52.5	1.30
102-7	1000	0.18	7.0	57.0	27.0	21.0	52.5	1.30

Product performance is limited to specified parameters. Data is subject to change without prior notice.

Tel: 310-325-1043
Fax: 310-325-1044

www.mpsind.com
sales@mpsind.com

PASSIVE POWER FACTOR CORRECTION INDUCTORS



P191 SERIES

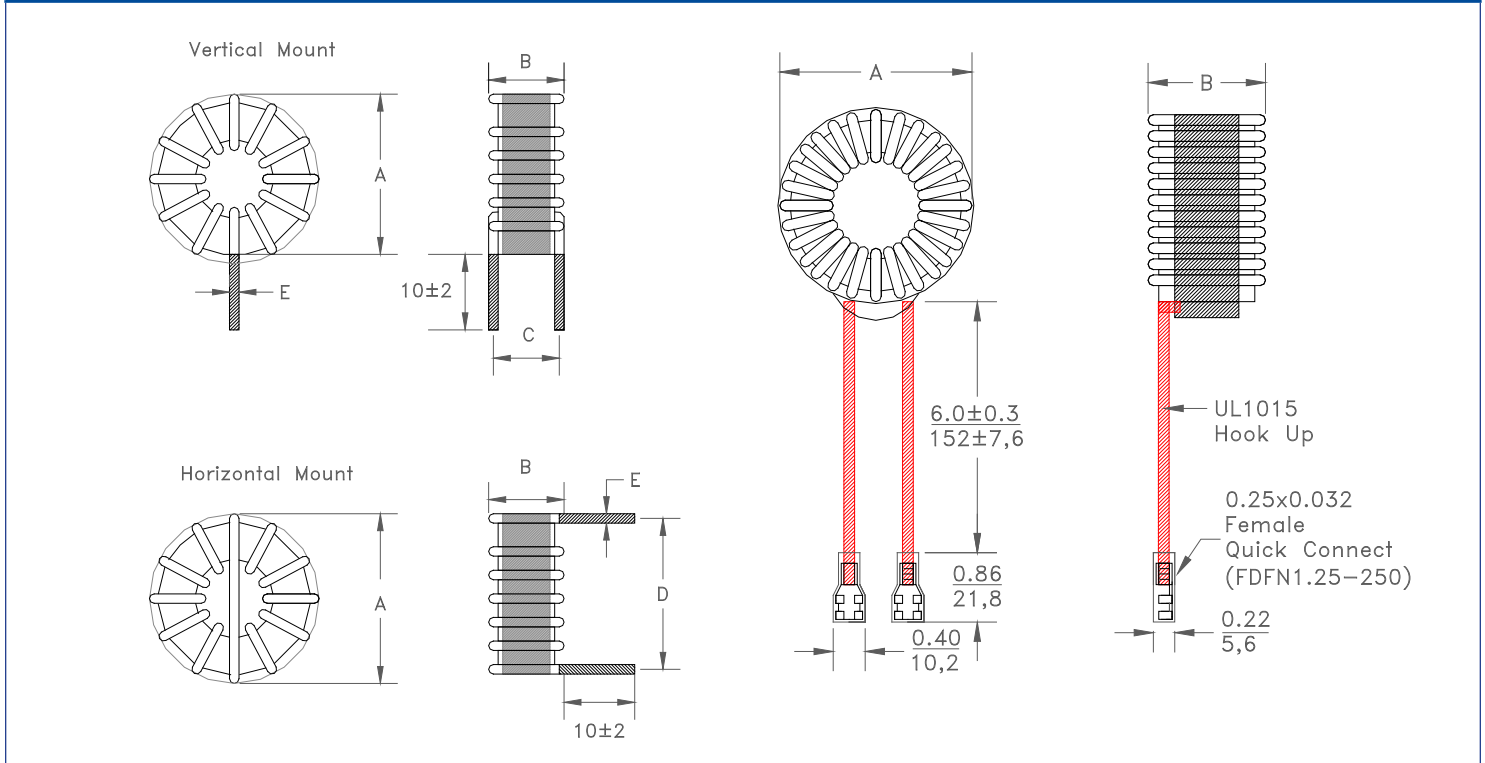
ELECTRICAL PARAMETERS @25°C

Part Number	L ($\mu\text{H} \pm 15\%$)	R_{DC} (Ω MAX)	I_{DC} (A)	DIM A Max (mm)	DIM B Max (mm)	DIM C Nom (mm)	DIM D Nom (mm)	DIM E Nom (mm)
301-10	300	0.05	10.0	53.0	27.0	21.0	47.0	1.73
501-10	500	0.06	10.0	63.0	31.0	24.0	55.0	1.73
751-10	750	0.08	10.0	73.0	32.0	26.0	68.0	1.73
102-10	1000	0.09	10.0	77.0	36.0	28.0	70.0	1.73

NOTES:

- Inductance test @ 10KHz, $0.1V_{RMS}$
- I_{DC} : 10% roll off Typ (20% Max.) from initial inductance value
- Add -V for Vertical Mount, -H for Horizontal Mount, -W for Hook Up wire
- Extended length hook up wire with Fast-On available on request

DIMENSIONS (mm)



Dimensions
 Unless otherwise specified, all tolerances are:
 inch: .XX : ±0.015 .XXX : ±0.004
 mm: X.X : ±0.38 X,XX : ±0.10

Product performance is limited to specified parameters. Data is subject to change without prior notice.

Tel: 310-325-1043
 Fax: 310-325-1044

www.mpsind.com
 sales@mpsind.com