

MINI RF TRANSFORMERS



R33M SERIES



- Ideal for wideband and RF instrumentation applications
- Can be used for Impedance Matching, Signal Isolation and Balance to Unbalanced conversion
- Smallest wideband transformer: 4mm square, 3.5mm high
- 300 V interwinding isolation, 1/4 Watt RF input power
- 250 mA max current rating
- RF Power: 0.25 Watt Max
- DC Current: 30mA Max
- Operating Temperature: -40°C to +85°C

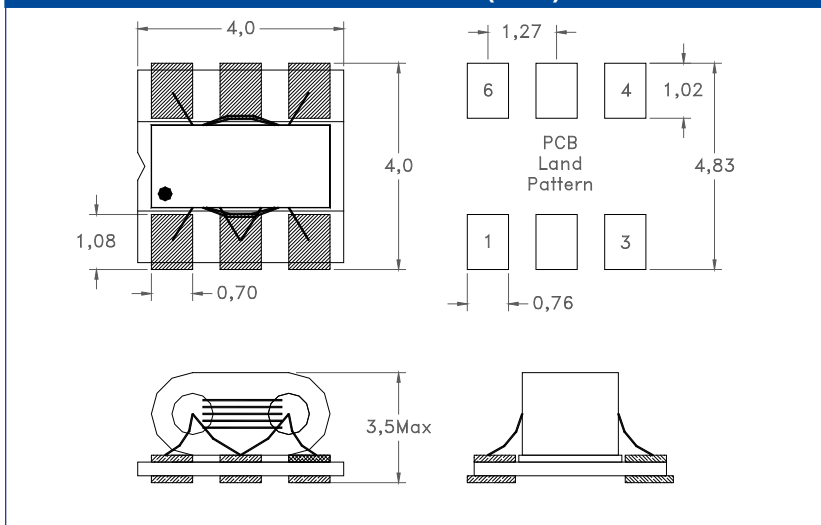
ELECTRICAL PARAMETERS @ 25°C

Part Number	Impedance Ratio (Sec/Pri $\pm 10\%$)	Bandwidth 3dB Typ MHz	Insertion Loss (dB Typ)	Primary OCL (μH Min) 4-6
R33M-				
2-1	2	0.5-400	0.50	30.0
3-1	3	0.8-500	0.60	20.0
4-1	4	3-800	0.70	5.0
4-6	4	1.5-600	0.60	15.0
4-12	4	20-1200	0.80	2.0
8-1	8	2-400	0.80	12.0
9-1	9	2-400	0.80	12.0
16-1	16	2-280	0.90	12.0

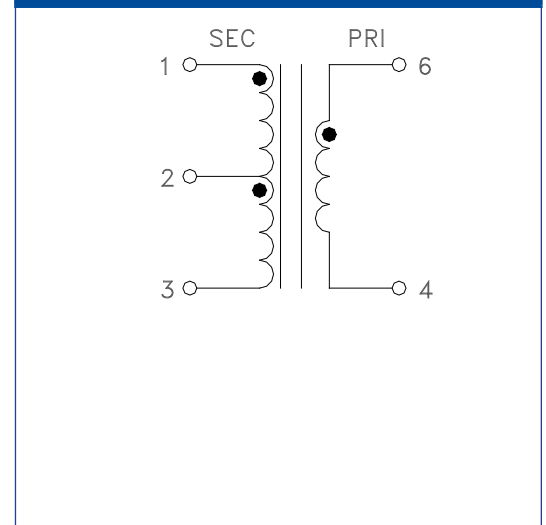
NOTES:

- Inductance measured at 10KHz, 0.1VRMS at Primary side (6-4)
- Insertion Loss is referenced to mid-band loss.

DIMENSIONS (mm)



SCHEMATIC



Dimensions

Unless otherwise specified, all tolerances are:
 inch: XX : ± 0.015 .XXX : ± 0.004
 mm: X.X : ± 0.38 X.XX : ± 0.10

Product performance is limited to specified parameters. Data is subject to change without prior notice.

Tel: 310-325-1043
 Fax: 310-325-1044

www.mpsind.com
 sales@mpsind.com