

TOROIDAL POWER TRANSFORMER



P8TD SERIES

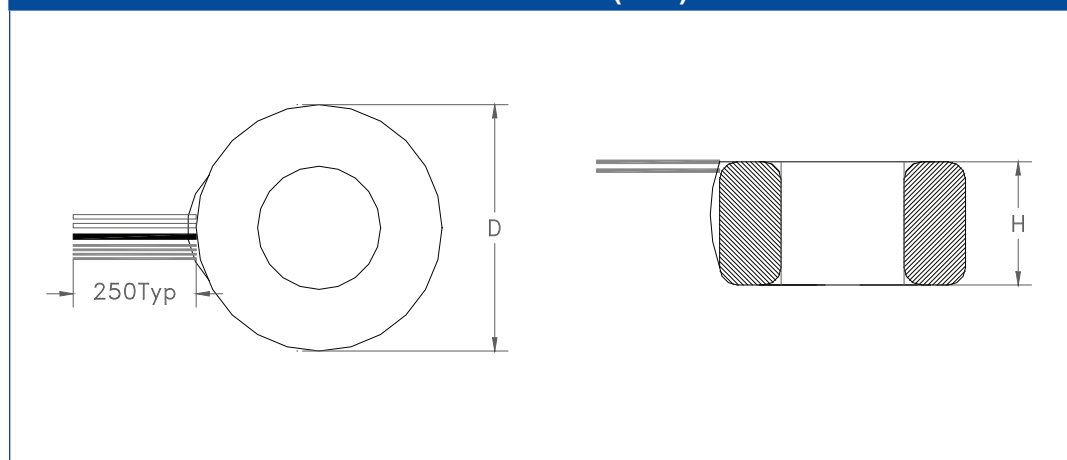


- High efficiency, low noise emission, quiet operation, small size
- Part No -XXX assigned by MPS based on custom configuration
- Standard operating temperature 0°C to +70°C (extended operating temperature available upon request)
- RoHS Compliant Product
- Custom Design Available

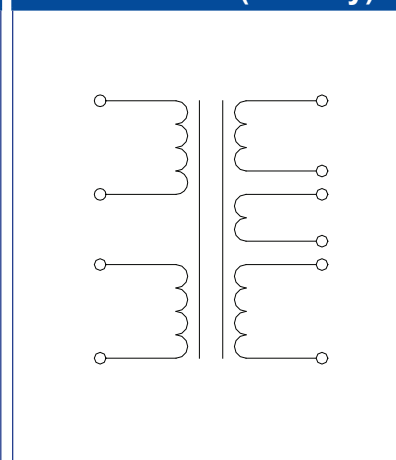
ELECTRICAL PARAMETERS @ 25°C

Part Number P8TD-	Voltage Regulation (%)	Efficiency Typ (%)	Dimension DxH (mm)	Weight Typ (Kg)	Power Rated (VA)
80-XXX	8.9	88	93x38	1.10	80
110-XXX	9.1	82	85x62	1.25	110
150-XXX	9.4	88	101x45	1.57	150
200-XXX	11.0	87	111x44	1.83	200
250-XXX	11.0	87	114x48	2.15	250

DIMENSIONS (mm)



SCHEMATIC (ref only)



Dimensions
 Unless otherwise specified, all tolerances are:
 inch: .XX : ±0.015 .XXX : ±0.004
 mm: X.X : ±0.38 X,XX : ±0.10

Product performance is limited to specified parameters. Data is subject to change without prior notice.

Tel: 310-325-1043
 Fax: 310-325-1044

www.mpsind.com
 sales@mpsind.com