

# TOROIDAL POWER TRANSFORMER



## P8TE SERIES

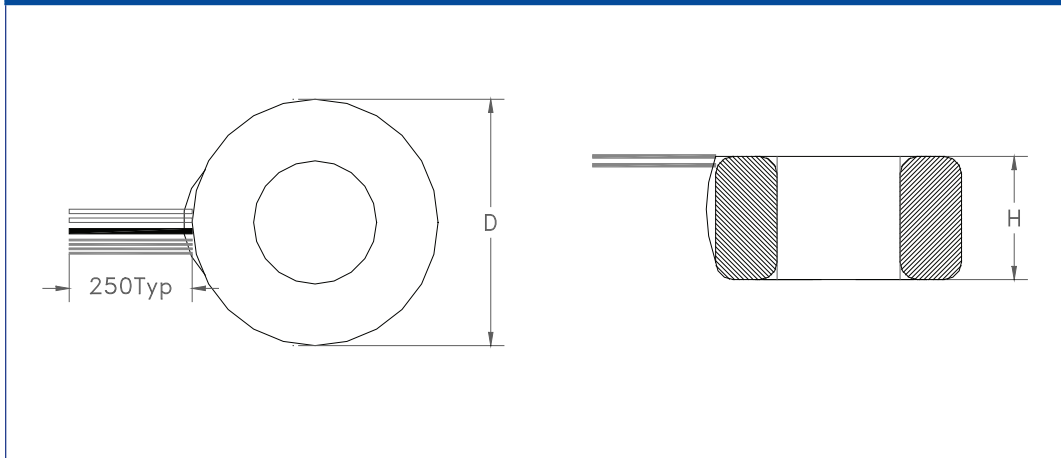


- High efficiency, low noise emission, quiet operation, small size
- Part No -XXX assigned by MPS based on custom configuration
- Standard operating temperature 0°C to +70°C (extended operating temperature available upon request)
- RoHS Compliant Product
- Custom Design Available

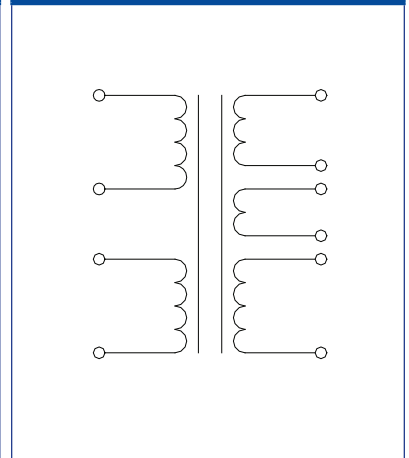
### ELECTRICAL PARAMETERS @ 25°C

Part Number P8TE-	Voltage Regulation (%)	Efficiency Typ (%)	Dimension DxH (mm)	Weight Typ (Kg)	Power Rated (VA)
40-XXX	16.0	80	76x32	0.52	40
60-XXX	12.0	85	90x35	0.80	60
100-XXX	10.0	88	95x45	1.10	100
150-XXX	8.0	90	110x45	1.60	150
230-XXX	7.2	91	120x50	2.20	230
330-XXX	5.0	93	135x60	3.50	330
530-XXX	4.3	94	150x65	5.10	530

### DIMENSIONS (mm)



### SCHEMATIC (ref only)



Product performance is limited to specified parameters. Data is subject to change without prior notice.

**Dimensions**  
Unless otherwise specified, all tolerances are:  
inch: .XX : ±0.015 .XXX : ±0.004  
mm: X.X : ±0.38 X,XX : ±0.10

Tel: 310-325-1043  
Fax: 310-325-1044

www.mpsind.com  
sales@mpsind.com