

HELICAL EDGE WOUND TOROID INDUCTOR



HT1500 SERIES



- Helical Edge Wound (HEW™) Flat Wire Toroid Inductors
- Low core loss
- Excellent heat dissipation
- Good DC bias characteristics
- Lower ACR than traditional round wire
- Extremely low interwinding capacitance
- Operating Temperature -40°C to +150°C
- Vertical and horizontal mount versions available (add -V or -H after part number for mounting version)

ELECTRICAL PARAMETERS @ 25°C

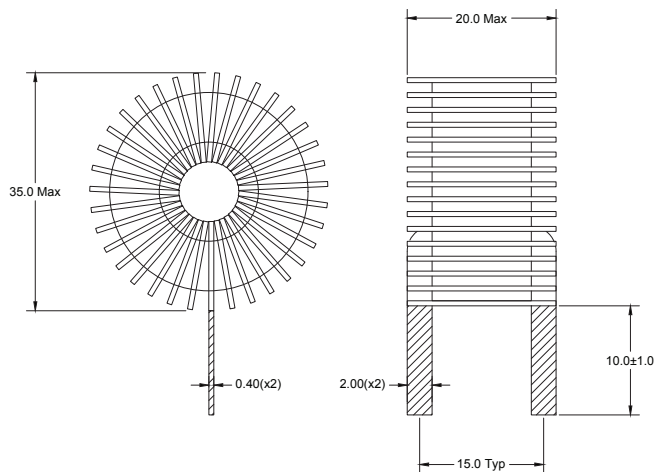
Part Number	INDUCTANCE (μH) $\pm 12\%$	DCR ($\text{m}\Omega$) MAX	Isat (A) Typ 10% drop	Isat (A) Typ 20% drop	Isat (A) Typ 30% drop	Irms (A) Typ 40°C rise
HT1500-121	120.0	65.0	5.8	8.5	11.3	6
HT1500-281	285.0	65.0	2.5	3.8	5.0	6
HT1500-361	360.0	65.0	2.0	3.0	4.1	6

Note:

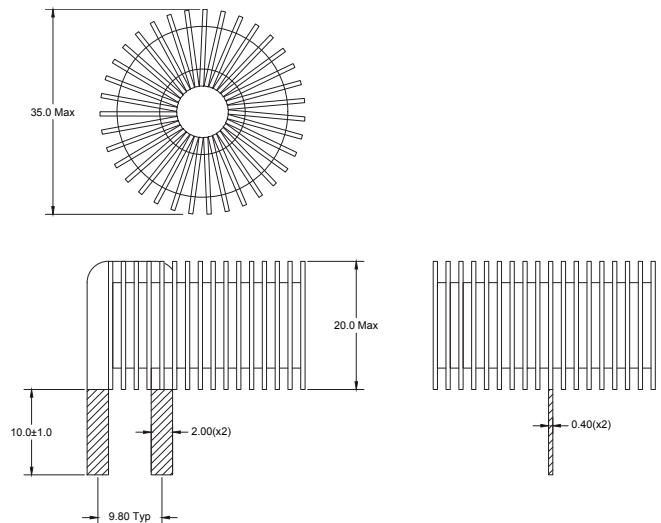
1. Inductance measured at 10KHz, 1Vrms
2. Isat is DC current at which the inductance drops the specified amount from its original value without bias.
3. Irms is the DC current that causes the specified temperature rise of the winding from 25°C ambient for the inductor.

DIMENSIONS (inch / [mm])

VERTICAL MOUNT



HORIZONTAL MOUNT



Dimensions

Unless otherwise specified, all tolerances are:
 inch: .XX : ± 0.015 .XXX : ± 0.004
 mm: X.X : ± 0.38 X,XX : ± 0.10

Product performance is limited to specified parameters. Data is subject to change without prior notice.

Tel: 310-325-1043
 Fax: 310-325-1044

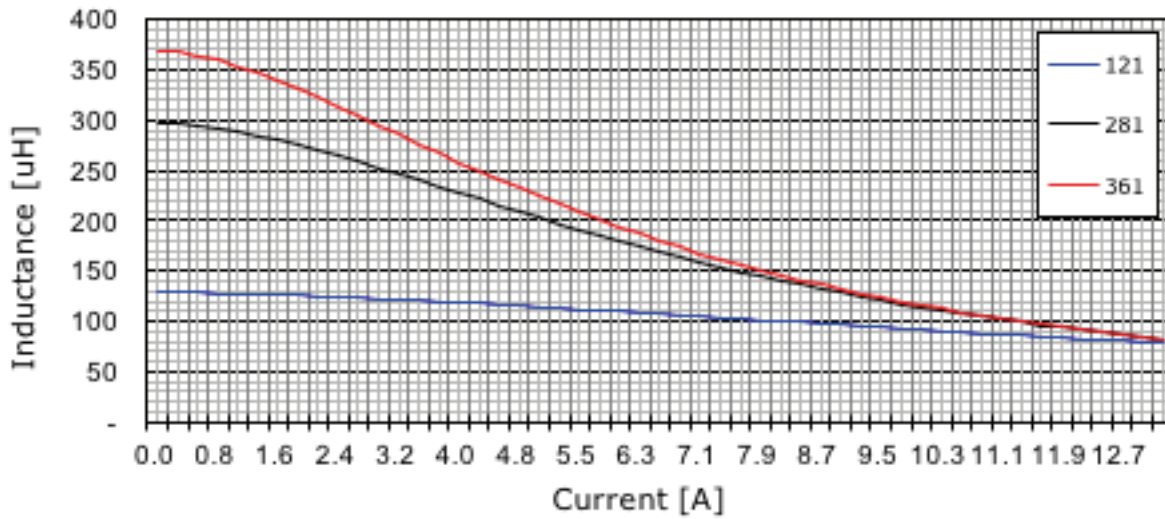
www.mpsind.com
 sales@mpsind.com

HELICAL EDGE WOUND TOROID INDUCTOR



HT1500 SERIES

DC BIAS CHARACTERISTICS



Product performance is limited to specified parameters. Data is subject to change without prior notice.

Tel: 310-325-1043
Fax: 310-325-1044

www.mpsind.com
sales@mpsind.com