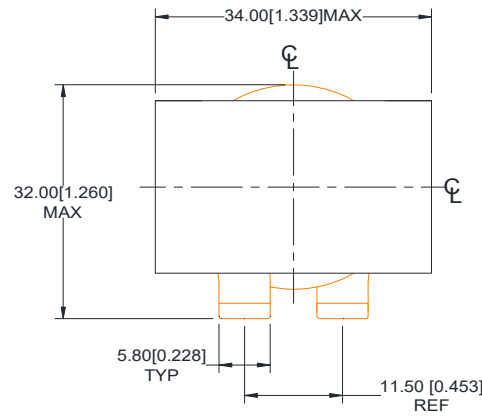


Rev	Description	By	Date
A	Released for Production	KLC	6-Jul-16
B	Updated Part Number and electrical parameters (Isat & Current)	KLC	5-Aug-16

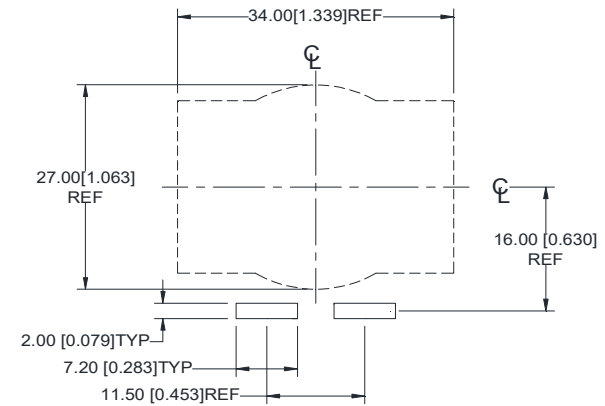
### ELECTRICAL SPECIFICATIONS @ 25°C

**L:** 29.0  $\mu\text{H} \pm 15\%$  @ 100kHz, 1.0 Vrms  
**Isat:**  $\Delta L \leq 10\%$  @ 26 A  
 $\Delta L \leq 20\%$  @ 38 A  
 $\Delta L \leq 30\%$  @ 48 A  
  
**Irms:**  $\Delta T \leq 20^\circ\text{C}$  @ 30 A  
 $\Delta T \leq 40^\circ\text{C}$  @ 45 A  
**DCR:** 2.6 m $\Omega$  Nom ; 3.4 m $\Omega$  Max  
**SRF (TYP)** 16 MHz  
**Capacitance (TYP)** 3.90 pF  
**Hipot:** 1000 Vdc, 1 mA, 5 sec, wdg to core  
**Insulation Class:** Class H 180 °C  
**RoHS Compliant:** Yes

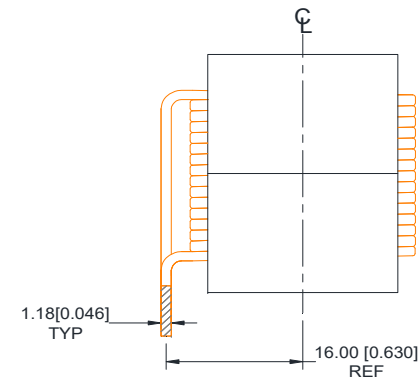
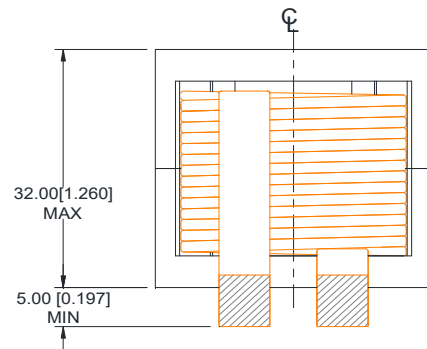
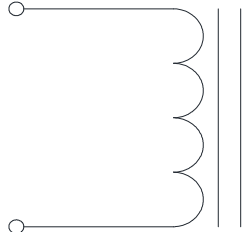
### Dimensions



### Recommended PCB Layout



### SCHEMATIC



### MARKING

MPS  
 HWI3432-045A-290H  
 Date Code

#### Notice of Proprietary Property

These drawings and specifications are the property of MPS and shall not be reproduced, copied or used as the basis of manufacture of sale of apparatus without express written authorization

Dimensions: mm[inch]	DRAWN BY:	KLC	30-Jun-16	SIZE	Part Number	REV
Unless otherwise specified	CHECKED BY:	AG	6-Jul-16	<b>A</b>	<b>HWI3432-045A-290H</b>	<b>B</b>
.XX $\pm$ 0.51 [0.020"]						
.XXX $\pm$ 0.254 [0.010"]						



MPS INDUSTRIES, INC.

[www.mpsind.com](http://www.mpsind.com)

Tel: (310) 325-1043 Fax: (310) 325-1044

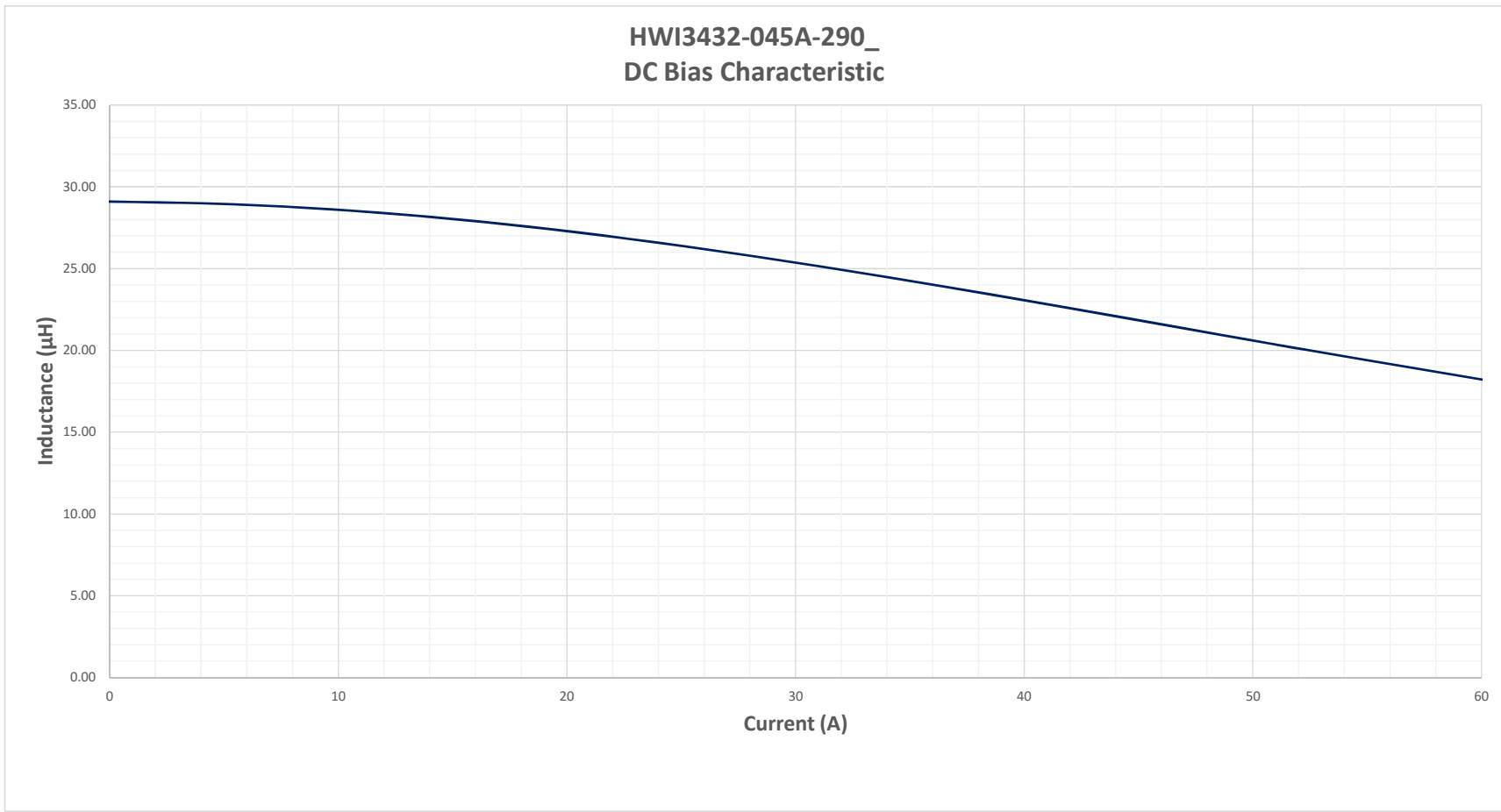
Description

**Helical Wound Inductor**

WEIGHT: 138 gram

SHEET: 1 OF 2

Rev	Description	By	Date
A	Released for Production	KLC	6-Jul-16



**Notice of Proprietary Property**

These drawings and specifications are the property of MPS and shall not be reproduced, copied or used as the basis of manufacture of sale of apparatus without express written authorization

**Dimensions**  
Unless otherwise specified  
.XX ± 0.51[0.020"]  
.XXX ± 0.254[0.010"]

DRAWN BY:  
CHECKED BY:

KLC  
AG  
30-Jun-16  
6-Jul-16

SIZE  
**A**

Part Number

**HWI3432-045A-290H**

SHEET: 2 OF 2

REV  
**B**



MPS INDUSTRIES, INC.

[www.mpsind.com](http://www.mpsind.com)

Tel: (310) 325-1043 Fax: (310) 325-1044

Description

**Helical Wound Inductor**